

catchbox lite

wireless microphone system

Catchbox Lite is a wireless microphone system featuring the Catchbox throwable microphone, designed for video-collaboration and training in small rooms with up to 100 participants. The throwable mic features Automute™ technology and charges via the Wireless Charger. Audio is provided on two outputs - analog (unbalanced) and digital (USB), for live audio capture and recording. Catchbox Lite operates in the 2.4 GHz (ISM) licence-free radio band.

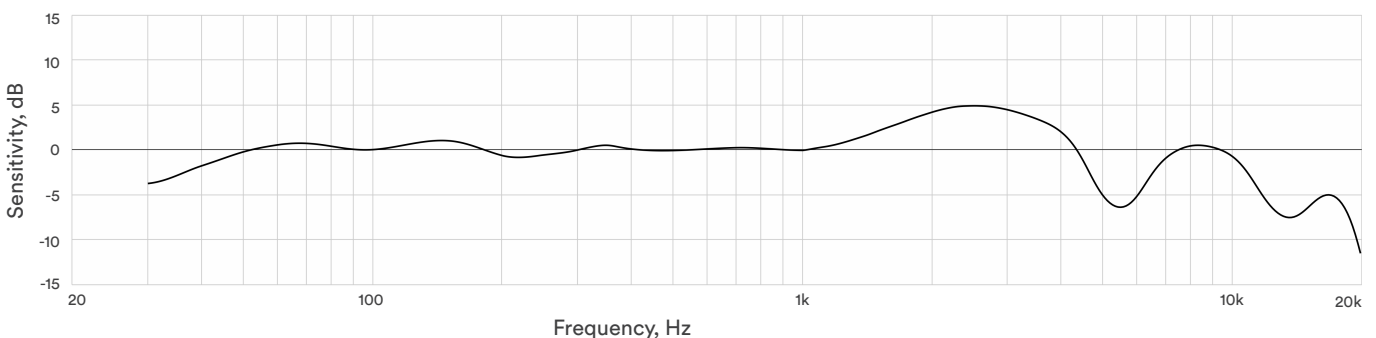


General Specifications

Working range	30 m / 100 ft (Line of Sight)*
Frequency band	2.4 GHz ISM band (2400 to 2485 MHz)
Max radio output power	10 mW
Transmitters per receiver	1
Signal type	Digital
Adaptive frequency hopping	Yes
Antenna diversity	Yes
Max # of systems in one space	Up to 4
Audio latency	20 ms
Operating temperature range	0 °C (32 °F) to 30 °C (86 °F)
Storage temperature range	0 °C (32 °F) to 50 °C (122 °F)

* The actual operating range depends upon the RF output settings, the surroundings, the signal absorption, signal reflection and signal interference

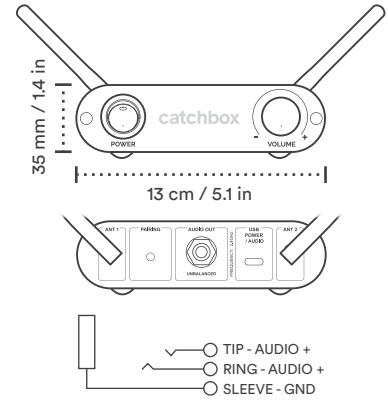
Audio frequency response



* Note: Frequency response is measured with attached foam cap

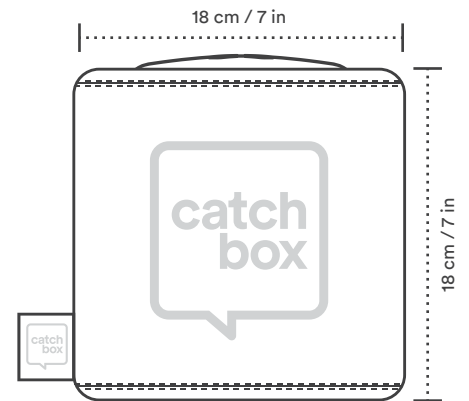
Receiver

Weight	270 g / 9.5 oz
Dimensions (without antennas)	130 × 125 × 35 mm / 5.1 × 5.1 × 1.4 in
Power supply	5V 1A USB-C
Audio output	6.3 mm / 1/4 in jack socket - unbalanced, Line level USB-C - digital output



Transmitter (with Cover)

Weight	370 g / 13.05 oz
Dimensions	180 × 180 × 180 mm / 7 × 7 × 7 in
Built-in Automute technology	Yes
Microphone element	Electret condenser, omni-directional
Gain adjustment range (Volume control)	12 dB in steps of 3 dB
Audio frequency response	30 to 20 000 Hz
Battery type	Li-ion, rechargeable
Battery life	12h
Battery charge time	Wireless: 4h USB-C: 2h
Wireless charger compatible	Yes (Catchbox proprietary protocol)



Wireless Charger*

Weight	385 g / 13.6 oz
Dimensions	189 × 189 × 30 mm / 7.44 × 7.44 × 1.18 in
Power supply	5V 1A USB-C
Charging protocol	Catchbox proprietary

* Wireless Charger needs to be purchased separately

