

AXM 12A



- Powered 12-inch coax monitor speaker
- Max. SPL 128 dB
- DSP controlled power amplifier (360 + 160 W IHF-A)
- LCD display for easy configuration
- Small and lightweight housing (14,9 kg)

This monitor cabinet combines a very compact footprint with high acoustical output ($SPL_{max} = 128$ dB) due to its 12"/1,75" coaxial transducer, the onboard DSP and the internal power amplifiers with a total of 520 W / IHF-A maximum dynamic power capability. The integrated mixing section provides 3 input channels: Mic/Line 1 and 2 with a combi XLR / Jack socket and a stereo input featuring RCA type connectors. The DSP offers 5 factory presets (IIR for monitor operation, FIR for full-range operation) and user settings memories, Hi and Lo shelving and parametric midrange EQs, adjustable Low-Cut and tunable feedback notch filter. Easy operation via the backlit LC-Display and a single Push-Encoder. XLR outputs for direct or mix out. The enclosure is made from 15 mm birch plywood with a heavy duty structured lacquer surface and a solid steel front grill. At 33°, the monitor angle is optimized for small stages and the minimized footprint allows for perfect proximity to the artist. A handle and two recessed grips help for convenient transport and placement. An integrated pole mount at the front allowing for additional applications such as small main PA or fill, delay cabinet (onboard delay line for up to 100 m distances in 0.1 m increments) or the configuration of an extremely compact active-3-way system in combination with a powered sub.

Parts included

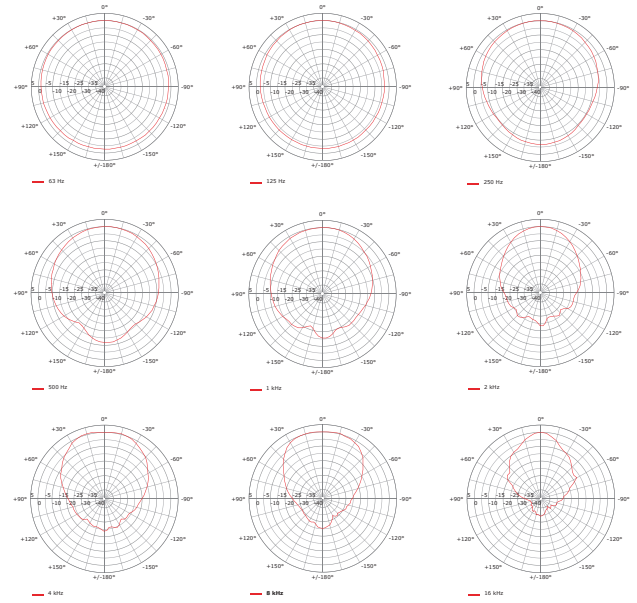
Quantity	Component
1	AXM 12A
1	Power cord
1	User manual
1	Important Safety Instructions

Technical specifications

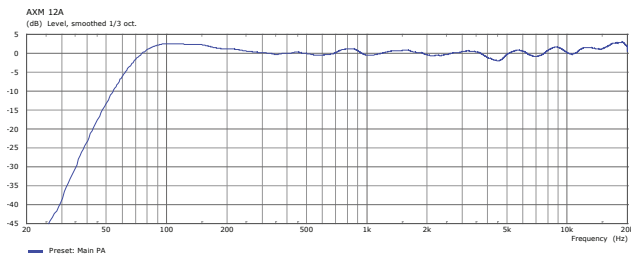
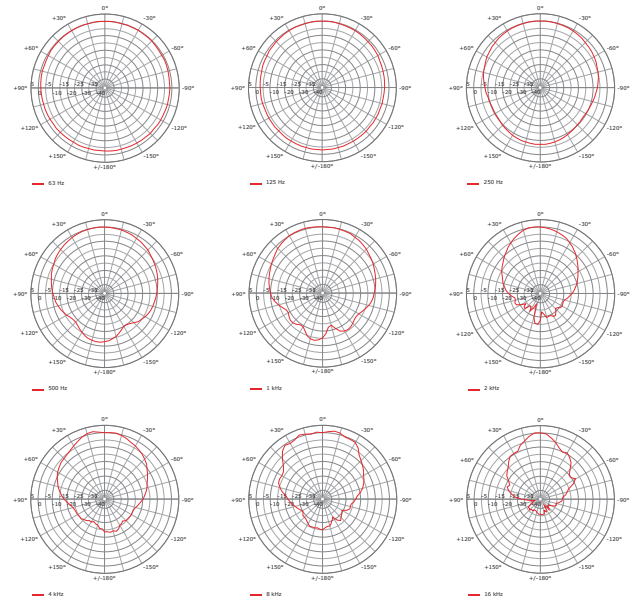
Cabinet	Powered monitor speaker for multifunctional applications
Maximum amplifier output capability, IHF-A	520 W
Low amplifier power	360 W IHF-A, 260 W RMS
Mid-High amplifier power	160 W IHF-A, 75 W RMS
Max. SPL 1 m / calc.	128 dB
Frequency range (-10 dB)	50–20000 Hz
Coverage angle nominal	90°
Acoustical crossover frequency	1.6 kHz

Transducer	DCX 12300, 12-inch/1.75-inch 2-way coaxial transducer with lightweight neodymium compression driver
Audio inputs	
• Mono	2 x XLR/Jack socket (MIC/LINE), switchable phantom power (+15 V)
• Stereo	1 x RCA (AUX IN)
Audio outputs	1 x XLR THRU (parallel to MIC/LINE 1) 1 x XLR MIX OUT
Equalization	
• LO shelving	±10 dB / 60 Hz
• MID peaking	±10 dB / 70–12000 Hz
• HI shelving	±10 dB / 12 kHz
Filter	
• LO-CUT	f = 50–200 Hz, 12 dB/oct.
• FEEDBACK FILTER	70–10000 Hz, Notch, -10 dB
Delay	0–100 m
Settings	5 factory presets, 5 user settings
Display	Blue backlit LC-display, dimmable
Power requirement	100–240 V AC, 50–60 Hz, 0.8–0.5 A
Cooling	Passive
Safety class	I
Operating temperature	0 °C to 40 °C
Product dimensions (Width x Height x Depth)	414 x 339 x 484 mm
Net weight	14.9 kg
Shipping weight	18.4 kg
Enclosure material	Birch plywood 15 mm, heavy duty structured lacquer
Finish	Black (RAL 9005, jet black)
Grille	Powder coated steel, acoustic foam
Pole mount adaptor	1
Handles	1 x bar carry handle, 2 x recessed grip

Horizontal directivity

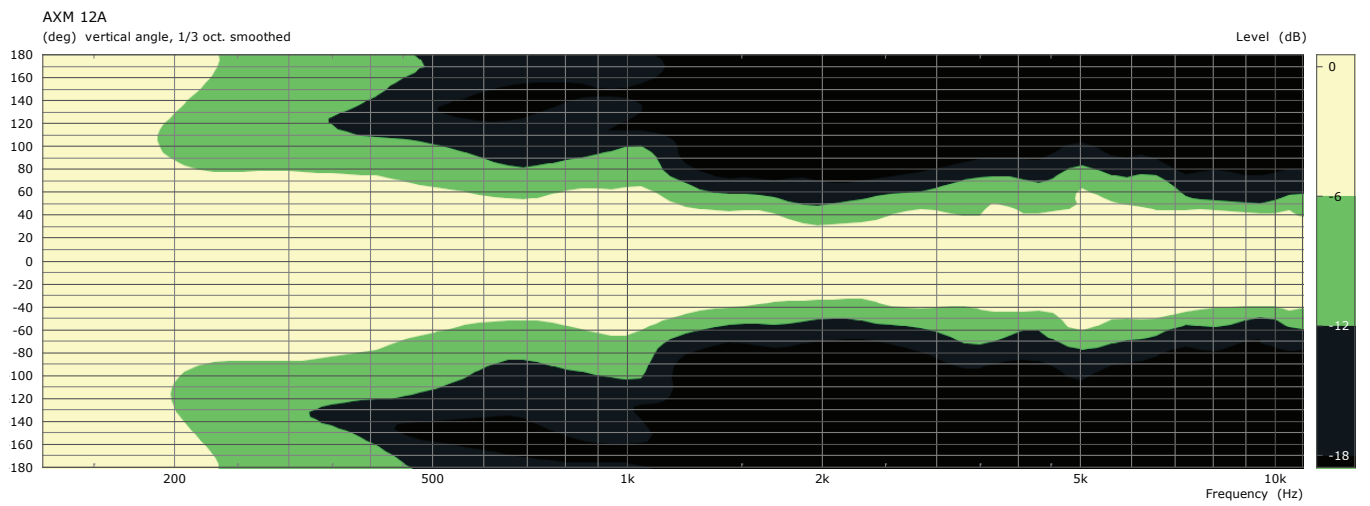
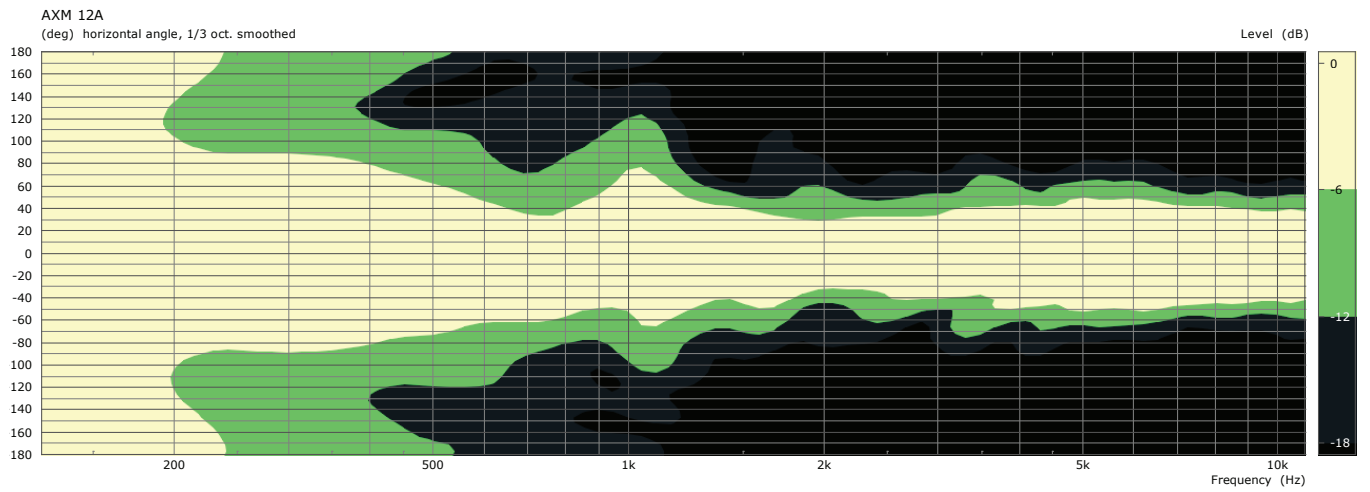


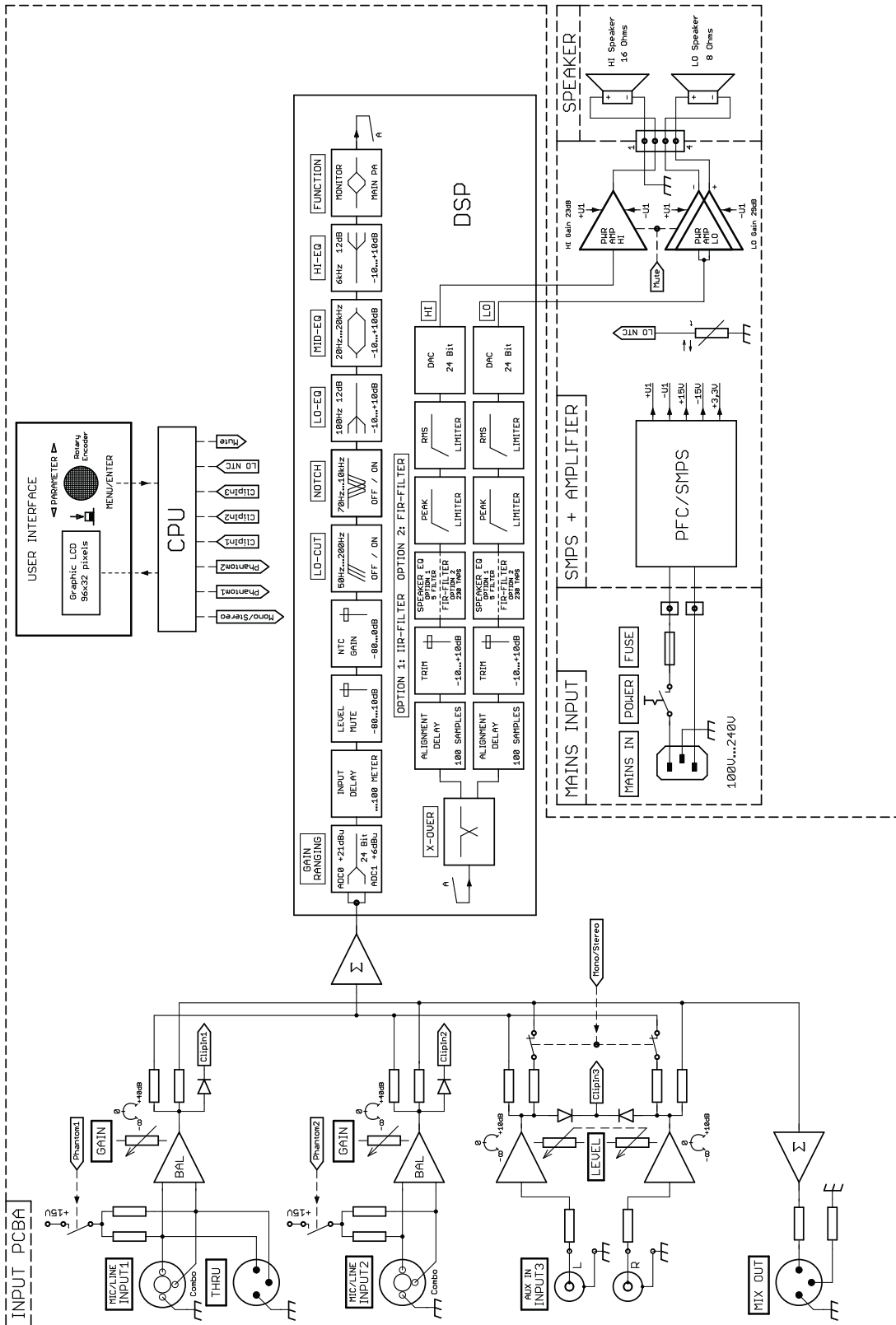
Vertical directivity



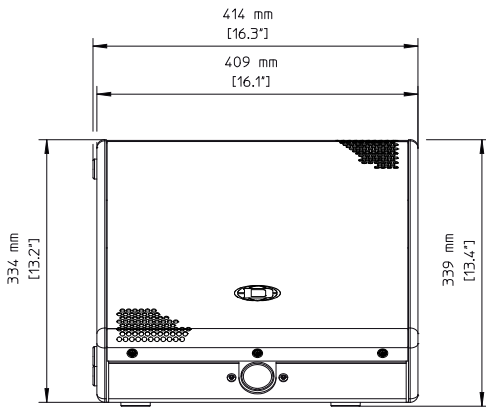
Frequency response

Directivity plots

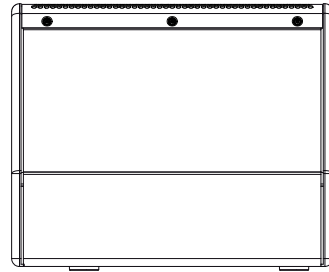




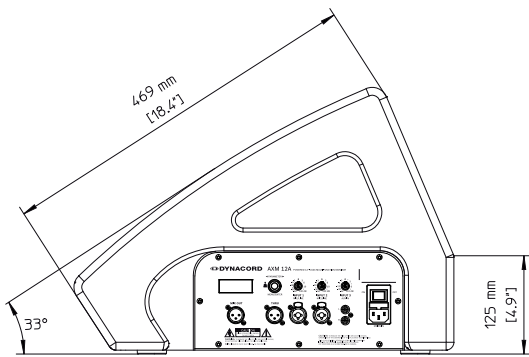
Circuit diagram



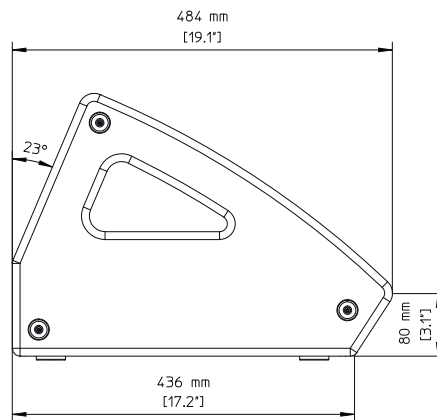
FRONT VIEW



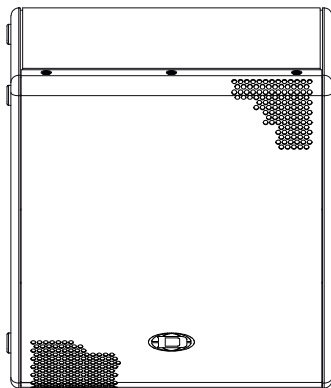
REAR VIEW



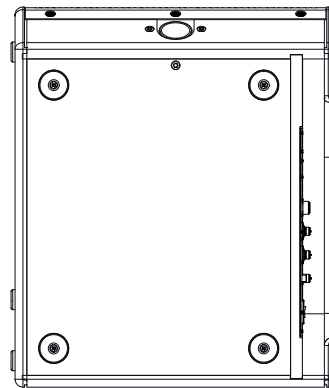
SIDE RIGHT



SIDE LEFT



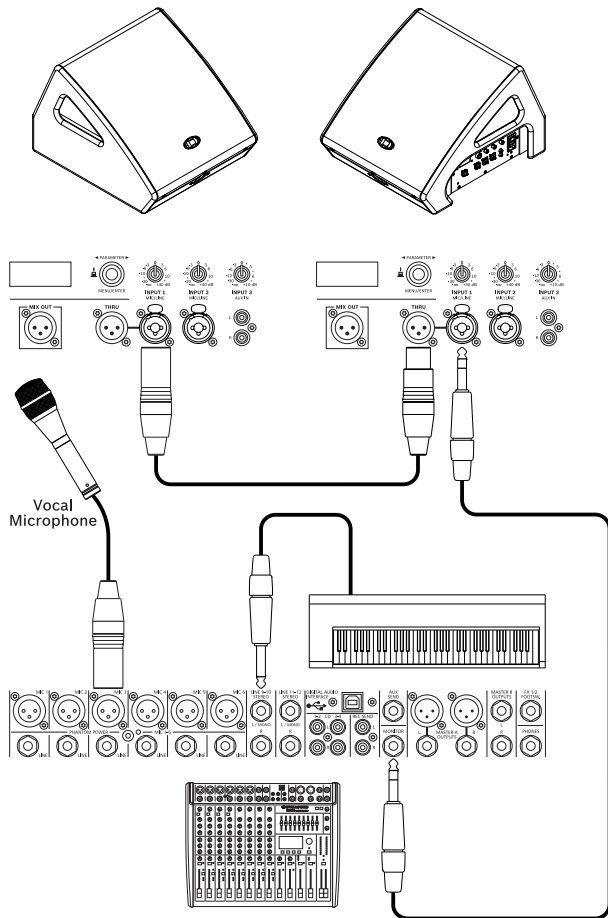
TOP VIEW



BOTTOM VIEW

Dimensions

Installation/configuration notes



Setup example

Ordering information

AXM 12A

12-inch Coax Biamped Multifunctional Monitor, 520 W total amplifier capability, 128 dB SPL_{max}, onboard DSP with LC-Display, 5 each factory presets / user memories, Delay line, EQ, Low-Cut and tunable Feedback-Notch-Filter.

Order number **F.01U.283.244**

Accessories

SH-AXM12

Protection cover for AXM 12A

Order number **F.01U.283.245**

Bosch Sicherheitssysteme GmbH
Robert-Bosch-Ring 5
85630 Grasbrunn
Germany

www.dynacord.com

© Bosch Sicherheitssysteme GmbH, 2014 | Data subject to change without notice
Document Number F01U283244 | Vs01 | 17. Feb 2014