

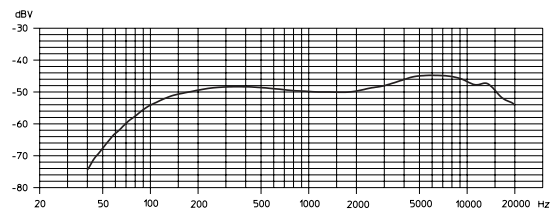
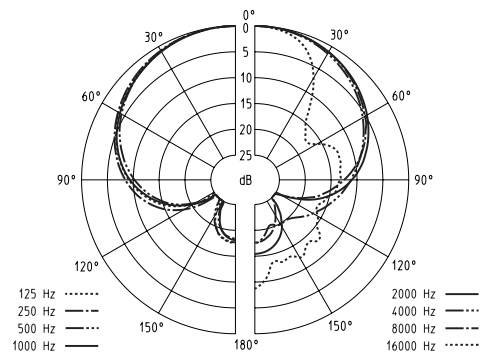
General Description

The e 865 is a fully professional super-cardioid vocal microphone utilising the very best in condenser microphone technology to achieve new standards of quality and sound. The microphone capsule incorporates special blast/pop protection plate to shield the diaphragm from excessive sound pressure levels.



Technical Data

Pick-up pattern	super-cardioid
Frequency response	40 – 20,000 Hz
Sensitivity (free field, no load, 1 kHz)	3 mV/Pa
Nominal impedance	200 Ω
Min. terminating impedance	1 kΩ
Equivalent noise level	
A-weighted (DIN IEC 651)	29 dB
CCIR-weighted (CCIR 468-3)	40 dB
Max. SPL (1 kHz)	150 dB (THD = 6 %)
Dimensions	∅ 47 x 193 mm (∅ 1.85" x 7.60")
Weight	311 g (10.97 oz)



Features

- Rugged metal body
- Extended dynamic response with pronounced presence and vocal 'punch'
- Excellent feedback rejection
- Very good rejection of handling noise
- Very high sound pressure handling capability
- Delivery includes: 1 e 865
1 microphone clip
1 pouch

Profile

Super-cardioid professional vocal condenser microphone, frequency response 40 Hz – 20 kHz, sensitivity (free field, no load) 3 mV/Pa at 1 kHz, nominal impedance 200 Ω, min. terminating impedance 1 kΩ, dimensions , weight 311 g (10.97 oz).