

General Description

The e 604 is a cardioid microphone especially suitable for use with drums and brass instruments.

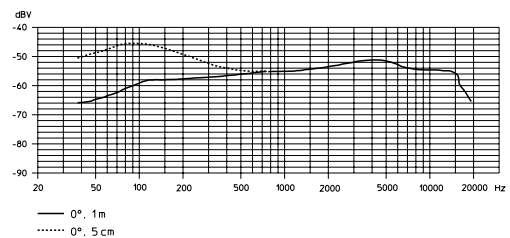
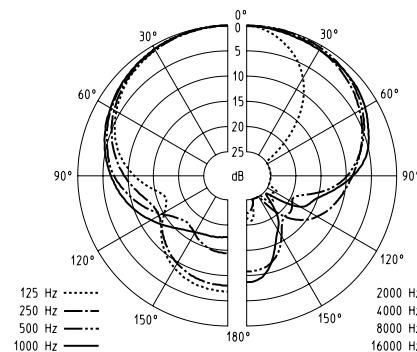


Technical Data

Pick-up pattern cardioid
 Frequency response 40 – 18,000 Hz
 Sensitivity (free field, no load, 1 kHz) 1.8 mV/Pa
 Nominal impedance 350 Ω
 Min. terminating impedance 1 kΩ
 Dimensions Ø 33 x 59 mm (Ø 1.30" x 2.32")
 Weight 60 g (2.12 oz)

Features

- Rugged reinforced glass-fibre body
- Low sensitivity to impact and handling noise
- Very high sound pressure handling capability
- Hum compensating coil
- Easy to position due to compact design
- Integral stand mount
- Delivery includes: 1 e 604
 1 drum clip
 1 pouch



Profile

Cardioid instrument microphone, hum compensating coil, frequency response 40 Hz – 18 kHz, sensitivity (free field, no load) 1.8 mV/Pa at 1 kHz, nominal impedance 350 Ω, min. terminating impedance 1 kΩ, dimensions Ø 33 x 59 mm (Ø 1.30" x 2.32"), weight 60 g (2.12 oz).