

General Description

The e 835 S is a cardioid lead vocal stage microphone specially designed to perform under pressure.

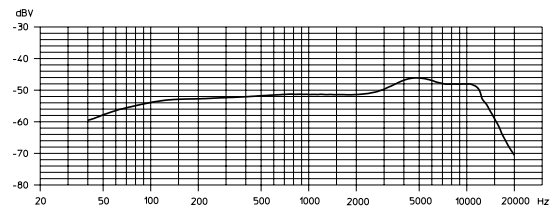
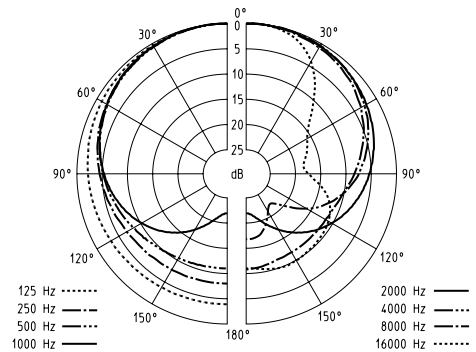


Technical Data

Pick-up pattern	cardioid
Frequency response	40 – 16,000 Hz
Sensitivity (free field, no load, 1 kHz)	2.7 mV/Pa
Nominal impedance	350 Ω
Min. terminating impedance	1 kΩ
Dimensions	∅ 48 x 180 mm (∅ 1.89" x 7.09")
Weight	330 g (11.64 oz)

Features

- Rugged metal body
- Excellent feedback rejection
- High sound pressure handling capability
- Shock-mounted capsule provides excellent suppression of handling noise
- Uniform on- and off-axis response
- Cardioid pick-up pattern provides isolation from other on-stage signals
- Hum compensating coil
- Silent ON/OFF switch
- Delivery includes: 1 e 835 S
1 microphone clip
1 pouch



Profile

Cardioid vocal microphone, hum compensating coil, frequency response 40 Hz – 16 kHz, sensitivity (free field, no load) 2.7 mV/Pa at 1 kHz, nominal impedance 350 Ω, min. terminating impedance 1 kΩ, dimensions ∅ 48 x 180 mm (∅ 1.89" x 7.09"), weight 330 g (11.64 oz).