

MD 431 II

Microphones | Classic Microphones

Cat. No. 001605

General Description

By virtue of its design and features, the MD 431 II ranks amongst Sennheiser's most exceptional microphones and is suitable for vocal, speech and broadcasting applications. Colour: black.



Cable pictured is an accessory not supplied with the microphone

Features

- Exceptionally good feedback rejection
- Shock mounted capsule provides very good rejection of handling noise
- Hum compensating coil
- Integral pop filter
- On/off switch (reed switch) can be locked in the 'ON' position if required
- Delivery includes: 1 MD 431 II
1 MZA 4031 quick release clamp

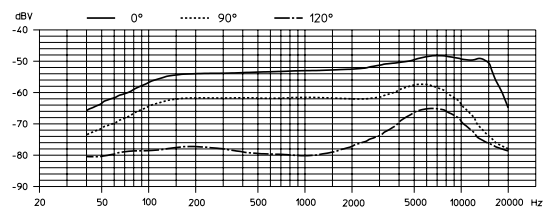
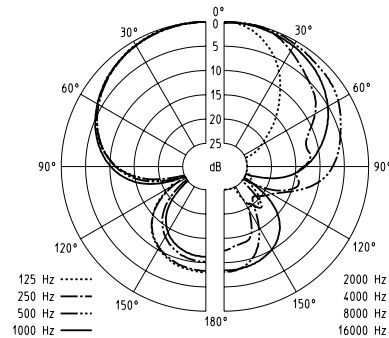
Recommended Accessories

- MZT 100 table stand
- MZT 441 table stand
- MZT 14 mounting bolt
- MZW 4032 foam windshield
- MZW 416-1 foam windshield

- Cat. No. 001883
- Cat. No. 000799
- Cat. No. 001895
- Cat. No. 002978
- Cat. No. 001536

Technical Data

Pick-up pattern	super-cardioid
Frequency response	40 – 16,000 Hz
Sensitivity (free field, no load, 1 kHz)	2 mV/Pa ± 3 dB
Nominal impedance	250 Ω
Min. terminating impedance	1 kΩ
Dimensions	∅ 49 x 200 mm (∅ 1.93" x 7.87"), body ∅ 31 mm (∅ 1.22")
Weight	appx. 250 g (8.82 oz)



Profile

Super-cardioid stage microphone, hum compensating coil, integral popshield, reed on/off switch, frequency response 40 – 16,000 Hz, sensitivity (free field, no load) 2 mV/Pa ± 3 dB at 1 kHz, nominal impedance 250 Ω, min. terminating impedance 1 kΩ, dimensions ∅ 49 x 200 mm (∅ 1.93" x 7.87"), body ∅ 31 mm (∅ 1.22"), weight appx. 250 g (8.82 oz).