

User manual

This manual contains important information on the safe operation of the product. Read and follow the safety advice and instructions given. Retain the manual for future reference. If you pass the product on to others please include this manual.

Safety instructions

Intended use

This device is used to digitize audio and video content and to make it available for further processing via USB. Any other use or use under other operating conditions is considered to be improper and may result in personal injury or property damage. No liability will be assumed for damages resulting from improper use.

Danger for children



Ensure that plastic bags, packaging, etc. are disposed of properly and are not within reach of babies and young children. Choking hazard! Ensure that children do not detach any small parts from the product. They could swallow the pieces and choke!

Where to use the product

Never use the product

- in conditions of extreme temperature or humidity
- in extremely dusty or dirty areas
- at locations where the unit can become wet

General handling

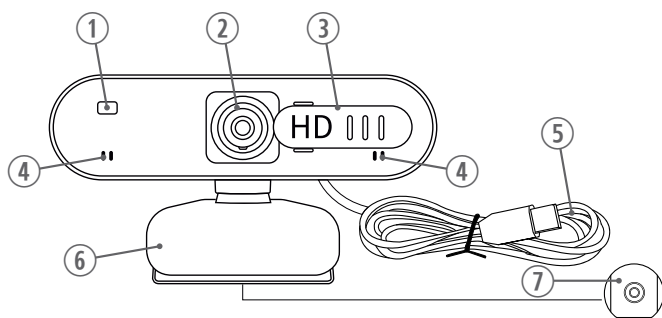
- To prevent damage, never use force when handling the product.
- Never immerse the product in water. Just wipe it with a clean dry cloth. Do not use liquid cleaners such as benzene, thinners or flammable cleaning agents.

Features

- USB web cam with auto focus for video conferences and video streaming
- Built-in stereo microphone
- Lens cover for secure disabling of video capturing
- Status LED to indicate activity
- Plug & play, no setup
- Compatible with Mac OS and Windows
- Multifunctional bracket for standing operation or easy mounting to the monitor
- 1080p full HD resolution

- 60° capture angle
- Frame rate 30 fps
- Supports H.264 and MJPEG
- 1/4" thread for tripod mounting
- Adapter to USB-C supplied
- Automatic electronic shutter
- Voltage supply and data transmission via USB (5 V $\overline{=}$ / 160 mA)
- Cable length approx. 135 cm

Operating elements



- ① Pilot light
- ② Camera lens
- ③ Lens cover
- ④ Microphone
- ⑤ Camera cable with USB plug
- ⑥ Camera base
- ⑦ Tripod screw hole

Using the product

1. Mount the camera either on a tripod or on the screen. You can also simply place it on the desk.
2. Connect the USB plug of the camera cable to the USB port of a computer with a Windows or MacOS operating system. If necessary, use the supplied adapter to the USB-C format.
3. The required driver is provided by the operating system and installed automatically. Then the pilot light lights up and the camera is ready for use.
4. Start the desired chat or video conference software.
5. If you want to interrupt the transmission of the camera image, slide the lens cover to the left so that it covers the lens.

Note

If you use the camera on a laptop that has a built-in camera, you must first deactivate it or set the external camera as the standard device for audio / video recording.



For the transport and protective packaging, environmentally friendly materials have been chosen that can be supplied to normal recycling. Ensure that plastic bags, packaging, etc. are properly disposed of. Do not just dispose of these materials with your normal household waste, but make sure that they are collected for recycling. Please follow the notes and markings on the packaging.



This product is subject to the European Waste Electrical and Electronic Equipment Directive (WEEE) in its currently valid version. Do not dispose of your old device with your normal household waste. Dispose of this product through an approved waste disposal firm or through your local waste facility. Comply with the rules and regulations that apply in your country. If in doubt, consult your local waste disposal facility.

Technical specifications

| | |
|--------------------------|---|
| Resolutions | 1080p Full-HD |
| Frame rate | 30 fps |
| Capture angle | 60° |
| Auto focus | yes |
| Audio | built-in stereo microphone |
| Computer connection | USB 2 |
| Mounting options | Multi-functional bracket for standing operation or monitor screen mounting 1/4" thread for tripod mounting |
| Memory card slot | no |
| Protection class | IP44 |
| Dimensions (W × D × H) | 10 × 5 × 5 cm |
| Weight | 212 g |
| Environmental conditions | Temperature range 0 °C...40 °C relative humidity 50 %, non-condensing |