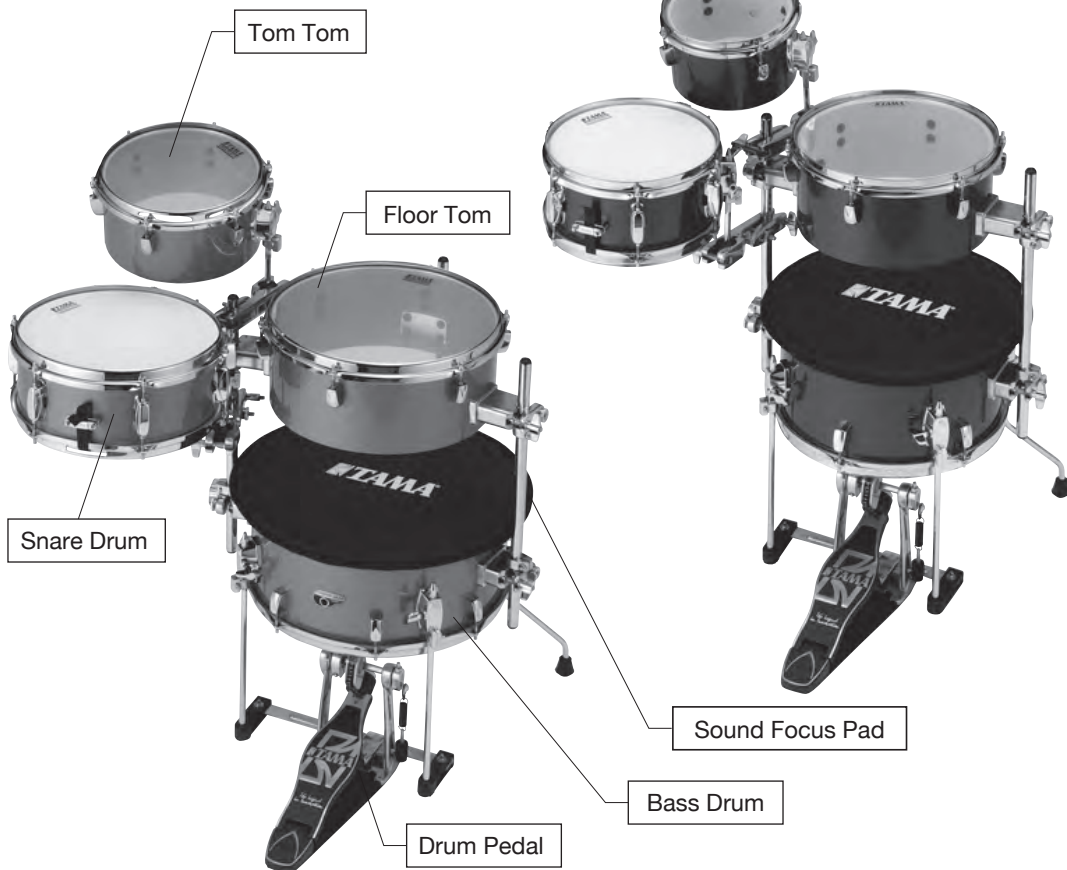


# “Cocktail-JAM” Drum Kit Instruction Manual

Thank you for purchasing the TAMA Cocktail-JAM, or Cocktail-JAM drum kit. In order to ensure safe usage and to take full advantage of this product's capabilities, please read this manual before use. Keep the manual in a safe place for future reference.

## Cocktail-JAM

## Cocktail-JAM Mini



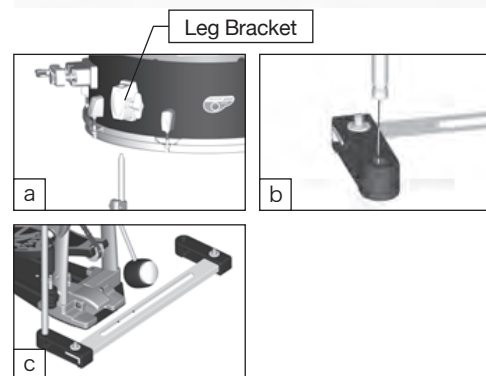
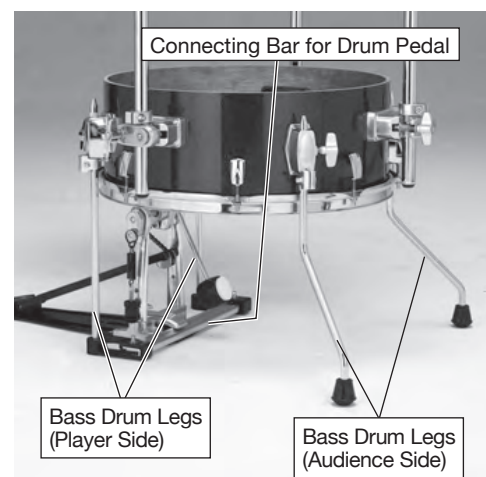
## Assembly

### 1. Bass Drum

<1-1> Insert the bass drum legs into the 4 leg brackets (a) on the bass drum, and tighten the T-bolts to fix them in place. The 2 straight legs should be on the drummer's side. The 2 curves legs should face away from the drummer.

<1-2> Attach the connecting bar for the drum pedal to the 2 straight legs on the player's side. Insert the bass drum legs into the holes (b) on the plastic parts of the connecting bar. From the player's view, the plate of connecting bar should be positioned behind the 2 legs.

<1-3> Attach the drum pedal to the connecting bar. The pedal clamp should be centered to the marked position (c) on the connecting bar, allowing the pedal beater to hit the center of the bass drum head. Also, adjust the length of bass drum legs so that the pedal chain is not in contact with the bass drum head.

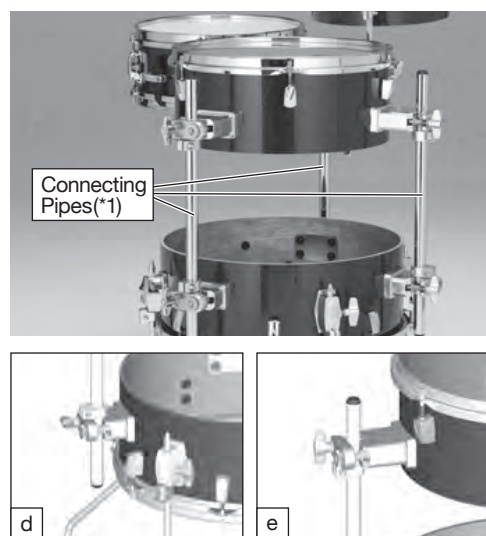


### 2. Floor Tom

<2-1> Insert the connecting pipes into the 3 mounting brackets (d) on the bass drum, and tighten the T-nuts to fix them in place. Then, fixing the floor tom according to pipe's memory locks, you can set up the floor tom in standard height.

<2-2> To set up the floor tom, connect the 3 pipes from the bass drum to the floor tom pipe brackets (e). You can position the floor tom at a standard height according to the pipe's memory locks, or position at your desired height and then adjust the memory locks accordingly.

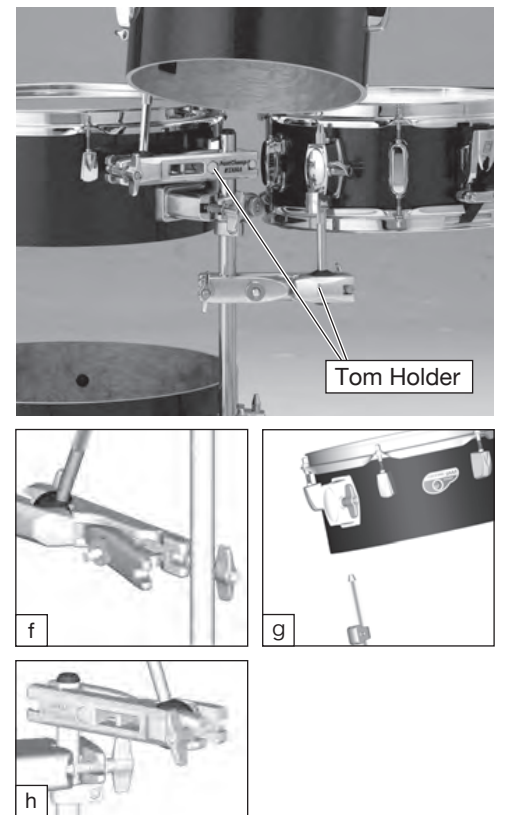
\*1 The kit in this photo is the Cocktail-JAM drum kit. The Cocktail-JAM Mini only utilizes 2 pipe brackets and connecting pipes, instead of 3.



### 3. Tom Tom & Snare Drum

<3-1> Set up the tom holder to your preferred playing position on one of the 3 connecting pipes. Attach the clamp (f) to one of the pipes, and tighten the T-nut to secure it.

<3-2> Attach the bracket of tom-tom or the snare drum to the rod of the tom holder (g), and tighten the T-nut to secure it. The ball on the tom holder (h) allows you to adjust the position and angle of the tom-tom or snare drum. Simply loosen the T-nut, adjust to the desired position and angle, and then retighten to secure it in place.



## Set-up Examples



Cocktail-JAM



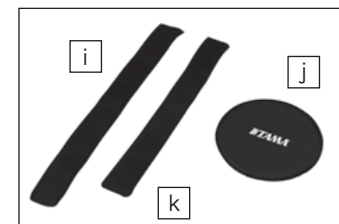
Cocktail-JAM Mini

You can also attach cymbals or various percussion instruments to the connecting pipes. For a tighter and more isolated bass drum sound, place Sound Focus Pad on top of the bass drum.

## Storage

### 1. Drums

Store all 4 drums in one bag. First, put the cushion (i) around the inside of the bass drum, and nest the snare drum inside of it. After storing them in the bag, put Sound Focus Pad (j) on top of the two drums. Then, put the cushion (k) around the inside of the floor tom, and nest the tom-tom inside of it. Finally, put them on Sound Focus Pad (j), which should be on top of the bass drum and snare drum, and zip up the bag.



### 2. Hardware

Store the hardware (drum pedal, bass drum legs, connecting bar for drum pedal, connecting pipes, and tom holders) in the separate hardware bag. It is easiest and most compact to pack the bass drum pedal first, and then add the rest of the hardware.



- Sie können ein PDF dieser Sicherheitsanweisung auf Deutsch unter <http://www.tama.com> finden.
- Vous pouvez trouver un PDF de ce manuel d'instructions de sécurité en français sur le site <http://www.tama.com>.
- È possibile trovare un PDF di questo Manuale di istruzioni per la sicurezza in italiano all'indirizzo <http://www.tama.com>.
- Encontrará disponible este Manual de instrucciones de seguridad en formato PDF y en español en <http://www.tama.com>.
- Można znaleźć PDF niniejszej instrukcji bezpieczeństwa w języku polskim na <http://www.tama.com>.
- Pode encontrar um PDF deste Manual de Instruções de Segurança em português em <http://www.tama.com>.
- Вы можете найти это руководство по технике безопасности в формате PDF на русском языке по адресу <http://www.tama.com>.
- 点击此处查看 PDF 版的中文安全使用说明: <http://www.tama.com>

**TAMA**® HOSHINO GAKKI CO., LTD.  
<http://www.tama.com>



\*This product contains DEHP or other phthalate chemicals known to the state of California to cause birth defects and other reproductive harm.  
\*These instructions were issued on May, 2017.  
Specifications and improvements subject to change without notice.