

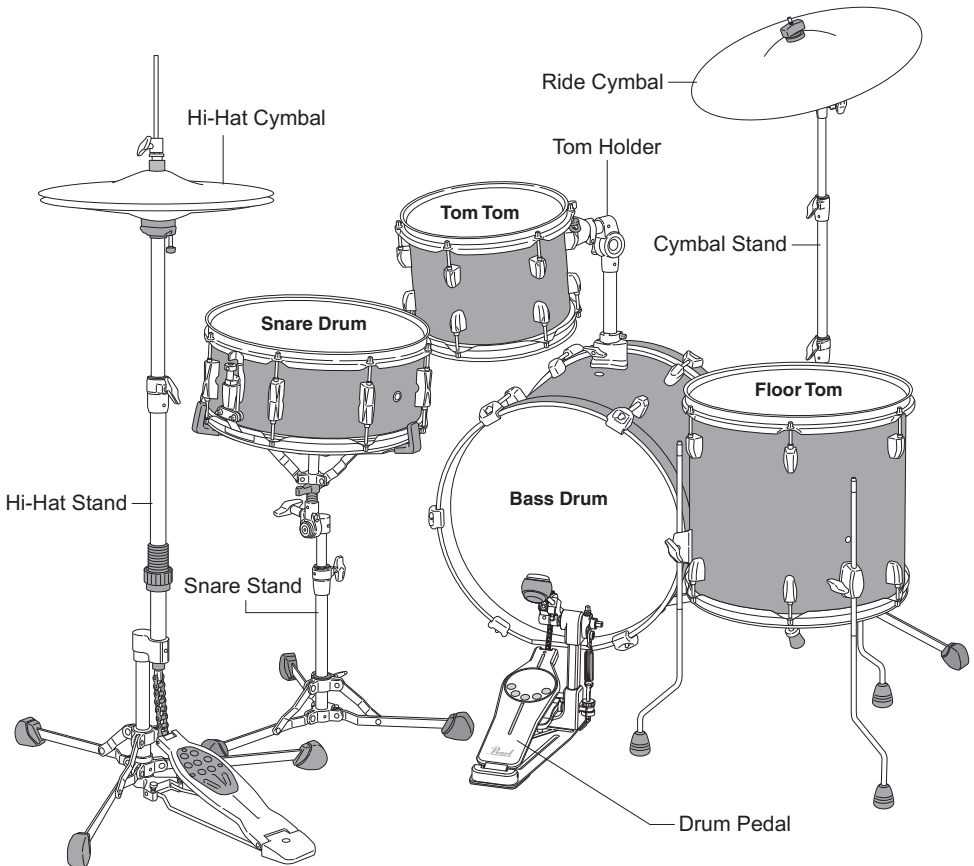
PEARL DRUMS

MIDTOWN

-MDT-

Instruction Manual

Congratulations on your purchase! To get optimum performance from your Pearl drum set, please read this Instruction Manual first before playing.



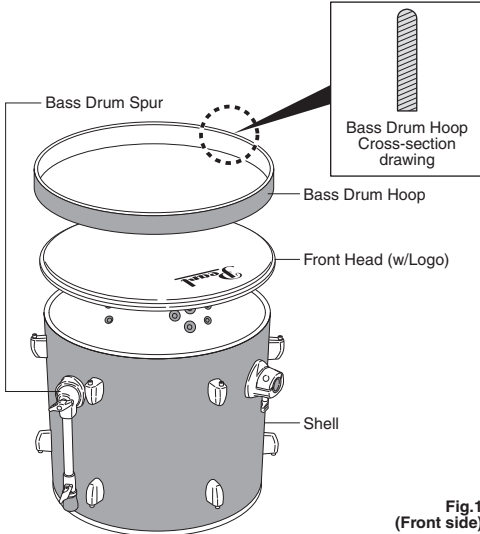
Set-Up Example

*Stands and Cymbals are not included in the set.

Bass Drum Assembly

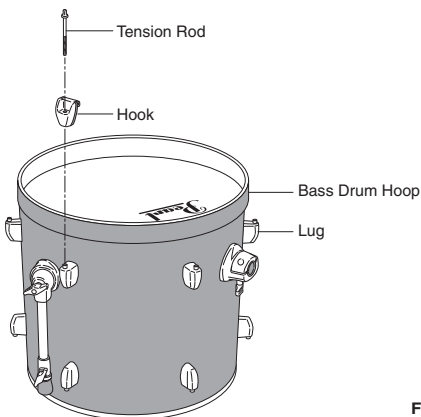
The Bass Drum is packed with the Shell, Bass Drum Hoops, Heads and Parts unassembled. Please follow the instructions below to assemble the Bass Drum.

1. Place the Shell on a clean, solid surface with the front side (the side with the Bass Drum Spurs attached) facing upwards. Put the Front Head with Pearl Logo on the Shell then attach the Bass Drum Hoop with flat side down on the Rim of the Head (Fig.1).

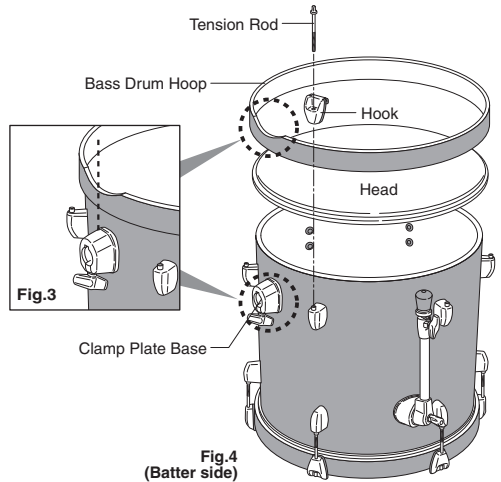


Note
The Bass Drum Hoop **WITHOUT** the cut is used on the front side.

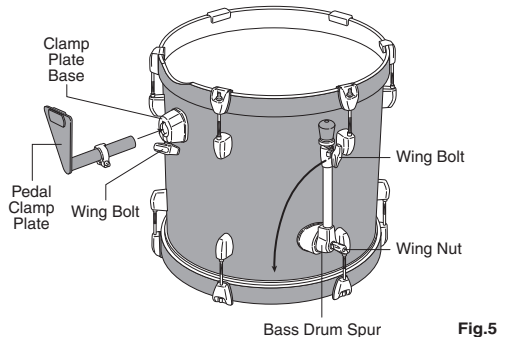
2. Pass a Tension Rod through a Hook, and hook it on the Bass Drum Hoop above a Lug. Finger tighten the Tension Rod into the Lug and do the same with the rest of the Tension Rods/Hooks on this side of the drum (Fig.2). Using a Tuning Key, tighten the Tension Rod until secure.



3. Turn the shell over to the batter side and place the other Head and Bass Drum Hoop on the Shell. Position the Bass Drum Hoop so that the cut is aligned with the Clamp Plate Base (Fig.3). Attach the Tension Rods/Hooks in the same way as the front side (Fig.4).



4. Insert the Pedal Clamp Plate into the Clamp Plate Base as shown and tighten the Wing Bolt to secure. Loosen the Wing Nut on the Bass Drum Spur and rotate it to the position shown in Fig.6. Tighten the Wing Nut to secure. Loosen the Wing Bolt and extend the Spurs making sure that both sides are equal in length, and tighten the Wing Bolt to secure. The Bass Drum Spurs have Spike Tips (for added slip resistance) that can be exposed by turning the Lock Nut and Rubber Tip clockwise (Fig.5).



CAUTION

The Spike Tips are sharp. Be careful not to hurt yourself or others when using them. Use the Spike Tips only on thick carpeted surfaces to prevent damage to the flooring underneath.

Drum Pedal Setting

Position the Bass Drum upright as shown and attach your Bass Drum Pedal to the Pedal Clamp Plate. Adjust the height of the Pedal Clamp Plate and the length of the Spurs if necessary. When making the adjustment, hold the Bass Drum with one hand to prevent the drum from falling over. When the height is set, make sure to tighten the Wing Bolts on the Clamp Plate Base and the Spurs, and the Stop Lock on the Pedal Clamp Plate (Fig.6).

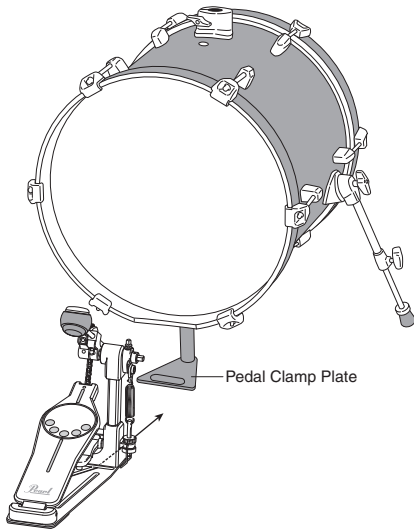


Fig.6

Tom Tom Setting

Insert the long ends of the Tom Holders into the Tom Holder Bracket on the Bass Drum as shown (Fig.7) and tighten the Wing Nut on the Tom Holder Bracket. Next, loosen the Wing Nut on the TH-701 Tom Holder. Adjust the angle of the Tom Holder so you can attach the Tom Tom easily then retighten the Wing Nut (Fig.8). Attach the Tom Tom to the other end of the Tom Holder and tighten the Wing Nut on the mounts on the Tom Tom.

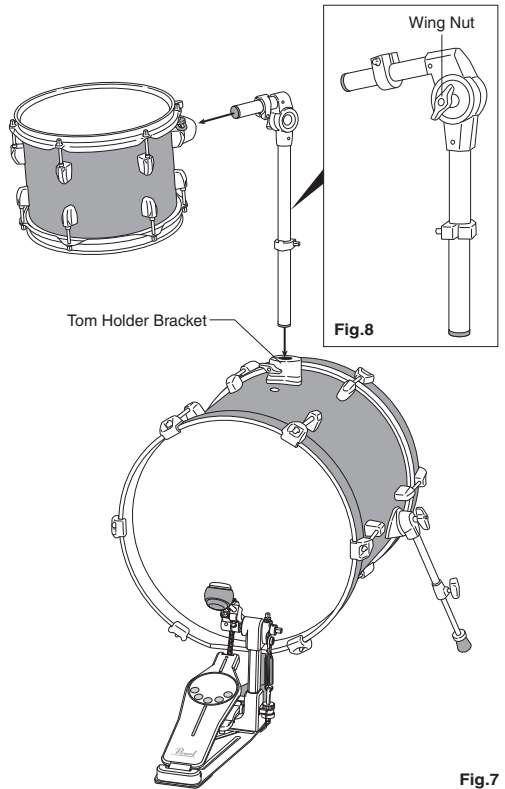


Fig.7

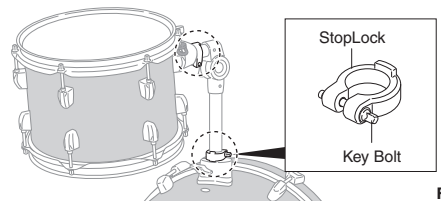


Fig.9

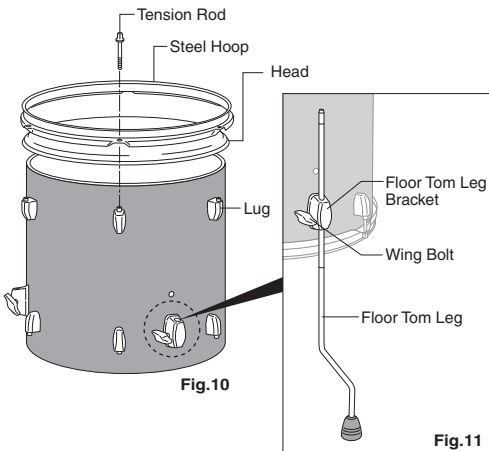
Note

The Tom Holders are equipped with StopLocks that keep the drums from slipping or rotating and to memorize position settings for quick and repeatable set-ups. When the position of the Tom Toms are set, place each StopLock into the slots in the Tom Holder Bracket and the mounts on the Tom Toms to retain these settings (refer to the Set-Up Example illustration on the first page of this manual) (Fig.9).

Floor Tom Assembly

The Floor Tom is packed with the Shell, Steel Hoops, Heads and Floor Tom Legs unassembled. Please follow the assembly instructions below to assemble the Floor Tom.

1. Place the Shell on a clean, solid surface with the batter side facing upwards as shown in Fig.10. Put the Head on the Shell followed by the Steel Hoop.
2. Line up the ears of the Steel Hoop over the Lugs and insert the Tension Rods through the ears. Finger tighten them into all the Lugs on this side of the drum. Using a Tuning Key, tighten the Tension Rods until secure (Fig. 10).
3. Turn the drum over and attach the other Head and Steel Hoop with the remaining Tension Rods.
4. Attach the Floor Tom Legs to the Floor Tom Leg Brackets and set the height and angle to your preference. Tighten the Wing Bolt to secure position (Fig.10,11).



CAUTION

● Make sure that all Wing Bolts, Wing Nuts, Bolts and
● Screws on the Stands and the Drums are tight
● before playing on your drum set.

● For Pedal and Hi-Hat Stand assembly, refer to the
● individual manuals (included).

● Please refer to the Set-Up Example on the cover
● page of this manual to see the completed kit.

Pearl[®]

<http://www.pearldrums.com>

Products and specifications are subject to change without notice.

Printed in China

-1511-