

**th•mann**

M25  
megaphone

Musikhaus Thomann  
Thomann GmbH  
Hans-Thomann-Straße 1  
96138 Burgebrach  
Germany  
Telephone: +49 (0) 9546 9223-0  
E-mail: [info@thomann.de](mailto:info@thomann.de)  
Internet: [www.thomann.de](http://www.thomann.de)

04.09.2015, ID: 240091

---

## Table of contents

<b>1</b>	<b>General notes.....</b>	<b>4</b>
<b>2</b>	<b>Safety instructions.....</b>	<b>6</b>
<b>3</b>	<b>Features.....</b>	<b>9</b>
<b>4</b>	<b>Installation and starting up.....</b>	<b>10</b>
	4.1 Battery operation.....	10
<b>5</b>	<b>Connections and operating elements.....</b>	<b>11</b>
<b>6</b>	<b>Technical specifications.....</b>	<b>13</b>
<b>7</b>	<b>Protecting the environment.....</b>	<b>14</b>


# 1 General notes

This user manual contains important information on safe operation of the device. Read and follow all safety notes and all instructions. Save this manual for future reference. Make sure that it is available to all persons using this device. If you sell the device to other users, be sure that they also receive this manual.

Our products are subject to a process of continuous development. We therefore reserve the right to make changes without notice.

## Symbols and signal words

This section provides an overview of the symbols and signal words used in this user manual.

Signal word	Meaning
<b>DANGER!</b>	This combination of symbol and signal word indicates an immediate dangerous situation that will result in death or serious injury if it is not avoided.
<b>CAUTION!</b>	This combination of symbol and signal word indicates a possible dangerous situation that can result in minor injury if it is not avoided.
<b>NOTICE!</b>	This combination of symbol and signal word indicates a possible dangerous situation that can result in material and environmental damage if it is not avoided.
Warning signs	Type of danger
	Warning – danger zone.

## 2 Safety instructions

### Intended use

This device is intended to be used in a sound reinforcement system. Use the device only as described in this user manual. Any other use or use under other operating conditions is considered to be improper and may result in personal injury or property damage. No liability will be assumed for damages resulting from improper use.

This device may be used only by persons with sufficient physical, sensorial, and intellectual abilities and having corresponding knowledge and experience. Other persons may use this device only if they are supervised or instructed by a person who is responsible for their safety.

### Safety



#### **DANGER!**

#### **Danger for children**

Ensure that plastic bags, packaging, etc. are disposed of properly and are not within reach of babies and young children. Choking hazard!

Ensure that children do not detach any small parts (e.g. knobs or the like) from the unit. They could swallow the pieces and choke!

Never let children unattended use electrical devices.



**CAUTION!**

**Possible hearing damage**

The device can produce volume levels that may cause temporary or permanent hearing impairment. Over an extended period of time, even levels that seem to be uncritical can cause hearing damage.

Decrease the volume level immediately if you experience ringing in your ears or hearing impairment. If this is not possible, keep a greater distance or use sufficient ear protectors.



**NOTICE!**

**Risk of fire due to incorrect polarity**

Incorrectly inserted batteries may destroy the device or the batteries.

Ensure that proper polarity is observed when inserting batteries.



**NOTICE!**

**Possible damage by leaking batteries**

Leaking batteries can cause permanent damage to the device.

Take batteries out of the device if it is not going to be used for a longer period.



### 3 Features

Special features of the device:

- Built-in microphone
- Adjustable volume
- Switchable siren
- Range up to 500 m
- Integrated strap

## 4 Installation and starting up

Unpack and carefully check that there is no transportation damage before using the unit. Keep the equipment packaging. To fully protect the device against vibration, dust and moisture during transportation or storage use the original packaging or your own packaging material suitable for transport or storage, respectively.

### 4.1 Battery operation

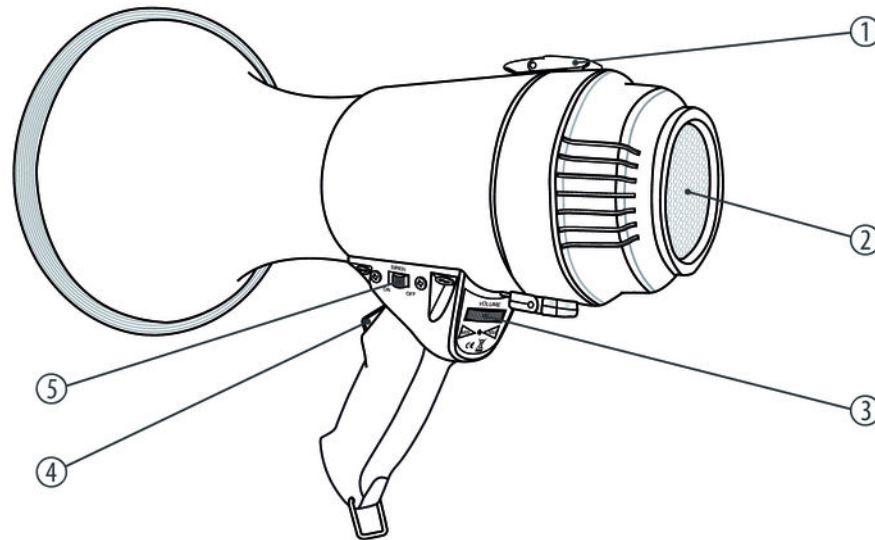
This device is battery-operated.

#### Inserting batteries

Open the latch at the top and open the battery compartment cover. Insert  $8 \times 1.5 \text{ V}$  batteries R14 (C) according to the inscription. Make sure to respect the correct polarity, otherwise the device will not work and may be damaged. Close the cover and lock it.

## 5 Connections and operating elements

### Rear panel



M25

1	<b>Latch</b> For locking the battery compartment.
2	<b>Microphone cover</b>
3	<b>VOLUME</b> rotary control Use this control to adjust the volume in talking mode.
4	<b>Talk button</b> Toggles the microphone on / off.
5	<b>SIREN</b> slider switch Use this slide switch to turn the built-in siren on or off.

## 6 Technical specifications

Power	25 W
Operating supply voltage	DC 12 V $\overline{\text{---}}$ , 8 × 1.5 V batteries R14, C (not included)
Dimensions (diameter × T)	230 mm × 370 mm
Weight	1.65 kg (without batteries)

## 7 Protecting the environment

### Disposal of the packaging material



For the transport and protective packaging, environmentally friendly materials have been chosen that can be supplied to normal recycling.

Ensure that plastic bags, packaging, etc. are properly disposed of.

Do not just dispose of these materials with your normal household waste, but make sure that they are fed to a recovery. Please follow the notes and markings on the packaging.

### Disposal of batteries



Batteries must not be disposed of as domestic waste or thrown into fire. Dispose of the batteries according to national or local regulations regarding hazardous waste. To protect the environment, dispose of empty batteries at your retail store or at appropriate collection sites.

### Disposal of your old device



This product is subject to the European Waste Electrical and Electronic Equipment Directive (WEEE). Do not dispose with your normal household waste.

Dispose this device through an approved waste disposal firm or through your local waste facility. When discarding the device, comply with the rules and regulations that apply in your country. If in doubt, consult your local waste disposal facility.











