



Emergency LED Par CRG

LED spotlight

Musikhaus Thomann  
Thomann GmbH  
Hans-Thomann-Straße 1  
96138 Burgebrach  
Germany  
Telephone: +49 (0) 9546 9223-0  
E-mail: [info@thomann.de](mailto:info@thomann.de)  
Internet: [www.thomann.de](http://www.thomann.de)

18.09.2020, ID: 480352

---

# Table of contents

|           |                                         |           |
|-----------|-----------------------------------------|-----------|
| <b>1</b>  | <b>General information</b> .....        | <b>6</b>  |
|           | 1.1 Further information.....            | 7         |
|           | 1.2 Notational conventions.....         | 8         |
|           | 1.3 Symbols and signal words.....       | 8         |
| <b>2</b>  | <b>Safety instructions</b> .....        | <b>11</b> |
| <b>3</b>  | <b>Features</b> .....                   | <b>19</b> |
| <b>4</b>  | <b>Installation</b> .....               | <b>20</b> |
|           | 4.1 Dealing with lithium batteries..... | 24        |
| <b>5</b>  | <b>Starting up</b> .....                | <b>26</b> |
| <b>6</b>  | <b>Connections and controls</b> .....   | <b>27</b> |
| <b>7</b>  | <b>Operating</b> .....                  | <b>29</b> |
| <b>8</b>  | <b>Technical specifications</b> .....   | <b>32</b> |
| <b>9</b>  | <b>Troubleshooting</b> .....            | <b>35</b> |
| <b>10</b> | <b>Cleaning</b> .....                   | <b>36</b> |

**11 Protecting the environment..... 37**



# 1 General information

This user manual contains important information on the safe operation of the device. Read and follow all safety notes and all instructions. Save this manual for future reference. Make sure that it is available to all persons using this device. If you sell the device to another user, be sure that they also receive this manual.

Our products and user manuals are subject to a process of continuous development. We therefore reserve the right to make changes without notice. Please refer to the latest version of the user manual which is ready for download under [www.thomann.de](http://www.thomann.de).

## 1.1 Further information

On our website ([www.thomann.de](http://www.thomann.de)) you will find lots of further information and details on the following points:

|                       |                                                                                                   |
|-----------------------|---------------------------------------------------------------------------------------------------|
| Download              | This manual is also available as PDF file for you to download.                                    |
| Keyword search        | Use the search function in the electronic version to find the topics of interest for you quickly. |
| Online guides         | Our online guides provide detailed information on technical basics and terms.                     |
| Personal consultation | For personal consultation please contact our technical hotline.                                   |
| Service               | If you have any problems with the device the customer service will gladly assist you.             |

## 1.2 Notational conventions

This manual uses the following notational conventions:

### Letterings

The letterings for connectors and controls are marked by square brackets and italics.

**Examples:** *[VOLUME]* control, *[Mono]* button.

### Displays



Texts and values displayed on the device are marked by quotation marks and italics.



**Examples:** *'24ch'*, *'OFF'*.

## 1.3 Symbols and signal words

In this section you will find an overview of the meaning of symbols and signal words that are used in this manual.



| Signal word                                                                       | Meaning                                                                                                                                                        |
|-----------------------------------------------------------------------------------|----------------------------------------------------------------------------------------------------------------------------------------------------------------|
| <b>DANGER!</b>                                                                    | This combination of symbol and signal word indicates an immediate dangerous situation that will result in death or serious injury if it is not avoided.        |
| <b>WARNING!</b>                                                                   | This combination of symbol and signal word indicates a possible dangerous situation that can result in death or serious injury if it is not avoided.           |
| <b>NOTICE!</b>                                                                    | This combination of symbol and signal word indicates a possible dangerous situation that can result in material and environmental damage if it is not avoided. |
| Warning signs                                                                     | Type of danger                                                                                                                                                 |
|  | Warning – high-voltage.                                                                                                                                        |
|  | Warning – dangerous optical radiation.                                                                                                                         |

| Warning signs                                                                                                                                                                              | Type of danger            |
|--------------------------------------------------------------------------------------------------------------------------------------------------------------------------------------------|---------------------------|
|  A yellow triangular warning sign with a black border, depicting a crane hook lifting a rectangular load. | Warning – suspended load. |
|  A yellow triangular warning sign with a black border, featuring a large black exclamation mark.          | Warning – danger zone.    |

## 2 Safety instructions

### Intended use

This device is intended for use as an electronic lighting effect by means of LED technology. The device is designed for professional use and is not suitable for use in households. Use the device only as described in this user manual. Any other use or use under other operating conditions is considered to be improper and may result in personal injury or property damage. No liability will be assumed for damages resulting from improper use.

This device may be used only by persons with sufficient physical, sensorial, and intellectual abilities and having corresponding knowledge and experience. Other persons may use this device only if they are supervised or instructed by a person who is responsible for their safety.

Extend the life of the device by regular breaks in operation and avoid switching it on and off frequently. This device is not suitable for continuous use.

### Safety



#### **DANGER!**

##### **Danger for children**

Ensure that plastic bags, packaging, etc. are disposed of properly and are not within reach of babies and young children. Choking hazard!

Ensure that children do not detach any small parts (e.g. knobs or the like) from the unit. They could swallow the pieces and choke!

Never let children unattended use electrical devices.



#### **DANGER!**

##### **Electric shock caused by high voltages inside**

Within the device there are areas where high voltages may be present. Never remove any covers.

There are no user-serviceable parts inside.

Do not use the device if covers, protectors or optical components are missing or damaged.



**DANGER!**

**Electric shock caused by short-circuit**

Always use proper ready-made insulated mains cabling (power cord) with a protective contact plug. Do not modify the mains cable or the plug. Failure to do so could result in electric shock/death or fire. If in doubt, seek advice from a registered electrician.



**WARNING!**

**Eye damage caused by high light intensity**

Never look directly into the light source.



**WARNING!**

**Risk of epileptic shock**

Strobe lighting can trigger seizures in photosensitive epilepsy. Sensitive persons should avoid looking at strobe lights.



### **WARNING!**

#### **Incorrect handling of lithium batteries can result in injury**

In the event of a short circuit, overheating or mechanical damage, lithium batteries can cause severe injuries.

Follow the advice on the correct handling of lithium batteries in the present section.



### **NOTICE!**

#### **Risk of fire**

Do not block areas of ventilation. Do not install the device near any direct heat source. Keep the device away from naked flames.

**NOTICE!****Operating conditions**

This device has been designed for indoor use only. To prevent damage, never expose the device to any liquid or moisture. Avoid direct sunlight, heavy dirt, and strong vibrations.

Only operate the device within the ambient conditions specified in the chapter 'Technical specifications' of this user manual. Avoid heavy temperature fluctuations and do not switch the device on immediately after it was exposed to temperature fluctuations (for example after transport at low outside temperatures).

Dust and dirt inside can damage the unit. When operated in harmful ambient conditions (dust, smoke, nicotine, fog, etc.), the unit should be maintained by qualified service personnel at regular intervals to prevent overheating and other malfunction.



### **NOTICE!**

#### **Power supply**

Before connecting the device, ensure that the input voltage (AC outlet) matches the voltage rating of the device and that the AC outlet is protected by a residual current circuit breaker. Failure to do so could result in damage to the device and possibly injure the user.

Unplug the device before electrical storms occur and when it is unused for long periods of time to reduce the risk of electric shock or fire.



### **NOTICE!**

#### **Possible damage due to installation of a wrong fuse**

The use of different types of fuses can cause serious damage to the unit. Fire hazard!

Only fuses of the same type may be used.





**NOTICE!**

**Risk of fire due to incorrect polarity**

Incorrectly inserted batteries may destroy the device or the batteries.

Ensure that proper polarity is observed when inserting batteries.



**NOTICE!**

**Possible damage by leaking batteries**

Leaking batteries can cause permanent damage to the device.

Take batteries out of the device if it is not going to be used for a longer period.



### **NOTICE!**

#### **Possible staining**

The plasticiser contained in the rubber feet of this product may possibly react with the coating of your parquet, linoleum, laminate or PVC floor and after some time cause permanent dark stains.

In case of doubt, do not put the rubber feet directly on the floor, but use felt-pad floor protectors or a carpet.



### **NOTICE!**

#### **Possible damage due to incorrect storage**

Deep discharge can cause batteries to become permanently damaged or lose some of their capacity.

Before prolonged rest periods, charge the batteries to around 50 % of their capacity and then switch the equipment off. Store the equipment at a temperature between 10 °C and 32 °C in as dry an environment as possible. During extended storage periods, charge the batteries to 50 % approximately every three months.

### 3 Features

The emergency light with built-in circuit for events can be used as steady light or emergency light.

Special features of the device:

- Automatic switching in the event of a power failure
- Three-way switch for setting the operating mode
- Built-in battery for mains-independent operation of 6 hours
- Various mounting options
- Battery or mains powered

For technological reasons, the light output of LEDs decreases over their lifetime. This effect increases with higher operating temperature. You can extend the service life of the illuminants by providing adequate ventilation and operating the LEDs with the lowest possible brightness.

## 4 Installation

Unpack and check carefully there is no transportation damage before using the unit. Keep the equipment packaging. To fully protect the product against vibration, dust and moisture during transportation or storage use the original packaging or your own packaging material suitable for transport or storage, respectively.



**WARNING!**

**Risk of injury caused by falling objects**

Make sure that the installation complies with the standards and rules that apply in your country. Always secure the device with a secondary safety attachment, such as a safety cable or a safety chain.

**NOTICE!****Risk of overheating**

The distance between light output and the illuminated surface must be more than 1.5 m (19.7in).

Provide sufficient ventilation.

The ambient temperature must always be below 40 °C (104 °F).

**NOTICE!****Use of stands**

When mounting the device onto a stand, ensure that the stand is in a safe and stable position and that the weight of the device does not exceed the maximum permissible load capacity of the stand.

**Mounting options**

You can install the device hanging, standing, or on a tripod. When in use, the device must always be attached to a solid surface or an approved truss.

Always work from a stable platform whenever installing, moving or servicing the unit. In doing so, the area underneath the unit must be cordoned off.

The safety cable must be threaded through the openings in the bracket.



*Please note that this device must not be connected to a dimmer.*

**NOTICE!****Possible damage due to incorrect storage**

Deep discharge can cause batteries to become permanently damaged or lose some of their capacity.

Before prolonged rest periods, charge the batteries to around 50 % of their capacity and then switch the equipment off. Store the equipment at a temperature between 10 °C and 32 °C in as dry an environment as possible. During extended storage periods, charge the batteries to 50 % approximately every three months.

## 4.1 Dealing with lithium batteries



### **WARNING!**

#### **Incorrect handling of lithium batteries can result in injury**

In the event of a short circuit, overheating or mechanical damage, lithium batteries can cause severe injuries.

Follow the advice on the correct handling of lithium batteries in the present section.

When handled correctly and appropriately lithium batteries pose no risk.

Store lithium batteries in a cool, dry place, ideally in the original packaging.

Store lithium batteries away from heat sources (e.g. radiators or sunlight). Lithium batteries are hermetically sealed. Never attempt to open a lithium battery.

If the battery housing is damaged small amounts of the electrolyte may leak out. If this should happen, seal the lithium battery in airtight packaging and wipe up the traces of electrolyte using absorbent paper towels. You must wear protective rubber gloves when doing so. Clean your hands and the affected surface thoroughly with cold water.



Never attempt to recharge non-rechargeable lithium batteries. When charging lithium batteries you must use a suitable charging device intended for the purpose.

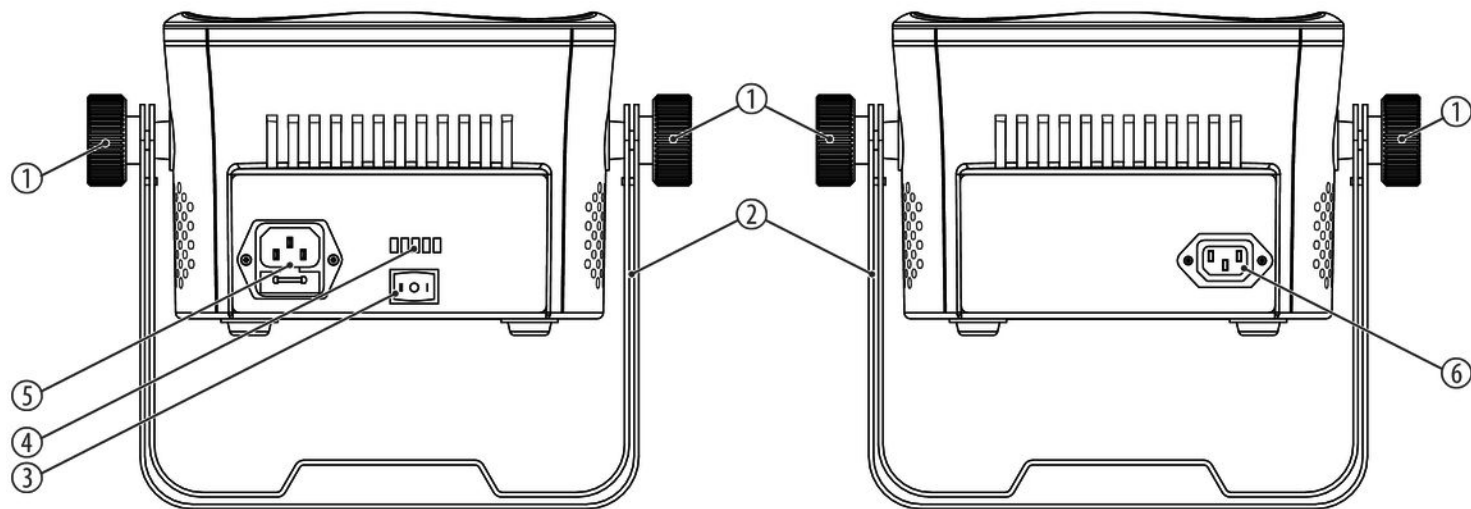
Before disposing of the device remove the lithium batteries. Protect used lithium batteries against potential short circuits, e.g. by covering the poles with adhesive tape.

Only use powder extinguishers or other suitable extinguishing agents to extinguish a burning lithium battery.

## 5 Starting up

Create all connections while the device is off. Use the shortest possible high-quality cables for all connections. Take care when running the cables to prevent tripping hazards.

## 6 Connections and controls



|   |                                                            |
|---|------------------------------------------------------------|
| 1 | Locking screw for the double bracket                       |
| 2 | Double bracket                                             |
| 3 | Three-way switch (emergency light, steady light, off)      |
| 4 | Charge status display                                      |
| 5 | IEC chassis plug with fuse holder for the power supply     |
| 6 | IEC chassis socket for the power supply of further devices |

## 7 Operating

### Turning the unit on

The device can be powered by mains or the built-in battery.

**Mains operation:** Connect the device to the power grid. The device is operational.

**Battery operation:** The device is operational. The operating time of the device is about 6 hours with a fully charged battery.

### Operating the device

With the three-way switch you can toggle between emergency light and continuous light or switch off the device.

| Switch position | Function                                                                                                                                                                                     |
|-----------------|----------------------------------------------------------------------------------------------------------------------------------------------------------------------------------------------|
| I               | Emergency light <ul style="list-style-type: none"><li>■ The LED lights up when the unit is powered by battery.</li><li>■ The LED is off when the device is connected to the mains.</li></ul> |
| II              | Steady light <ul style="list-style-type: none"><li>■ The LED lights up when the device is connected to the mains or when the device is operating on battery power.</li></ul>                 |
| o               | Turning the device off                                                                                                                                                                       |

### Checking battery capacity and charging the battery

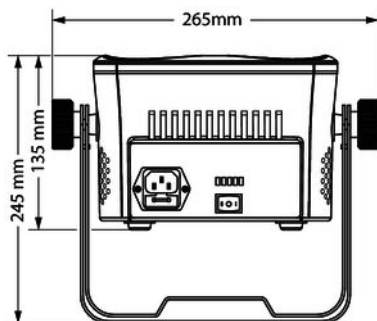
When the device is connected to the mains, the battery is getting charged. The five bars on the charge status display show the battery capacity. The battery can be charged in all three positions of the three-way switch.

---

| <b>Charge level indicator</b>                  | <b>Meaning</b>                                |
|------------------------------------------------|-----------------------------------------------|
| All five bars light up green                   | The battery is fully charged.                 |
| One bar flashes green. All other bars are off. | The battery is empty and needs to be charged. |

The battery takes around 6 hours to charge.

## 8 Technical specifications



|                                |                    |                                       |
|--------------------------------|--------------------|---------------------------------------|
| Light source                   |                    | 6 × CW LED (3 W)                      |
| Light source properties        | Illuminance        | 650 lux @ 2 m                         |
|                                | Colour temperature | 6500 K                                |
| Control                        |                    | Switch on the unit                    |
| Input connections              | Voltage supply     | IEC chassis plug C14                  |
| Output connections             | Voltage supply     | IEC socket C13                        |
| Power consumption              | LED on:            | 35 W                                  |
|                                | LED off:           | 18 W                                  |
| Supply voltage                 |                    | 100 - 240 V ~ 50/60 Hz                |
| Fuse                           |                    | 5 mm × 20 mm, 1 A, 250 V, fast-acting |
| Battery / rechargeable battery | Battery type       | Lithium-ion, chargeable               |
|                                | Voltage            | 11.1 V                                |



|                        |                             |                                   |
|------------------------|-----------------------------|-----------------------------------|
|                        | Capacity                    | 6000 mAh                          |
|                        | Charging time in the device | approx. 6 h                       |
| Protection class       |                             | IP20                              |
| Mounting options       |                             | hanging, standing, tripod-mounted |
| Dimensions (W × H × D) |                             | 265 mm × 245 mm × 135 mm          |
| Weight                 |                             | 2.4 kg                            |
| Ambient conditions     | Temperature range           | 0 °C...40 °C                      |
|                        | Relative humidity           | 50 %, non-condensing              |

### Further information

|                |              |
|----------------|--------------|
| Number of LEDs | 6            |
| Colour mixture | CW           |
| LED type       | Uni-coloured |
| Floor housing  | Yes          |
| Fanless        | Yes          |
| Remote control | Not possible |
| Wireless DMX   | No           |
| Housing colour | black        |

## 9 Troubleshooting

In the following we list a few common problems that may occur during operation. We give you some suggestions for easy troubleshooting:

| Symptom                                       | Remedy                                                                                      |
|-----------------------------------------------|---------------------------------------------------------------------------------------------|
| The unit does not work, no light              | Check the mains connection and the main fuse.                                               |
| The built-in battery can no longer be charged | Do not attempt to replace the built-in battery yourself. Please contact our service centre. |

If the procedures recommended above do not succeed, please contact our Service Center. You can find the contact information at [www.thomann.de](http://www.thomann.de).

## 10 Cleaning

### Optical lenses

Clean the optical lenses, that are accessible from the outside, regularly in order to optimize the light output. The frequency of cleaning depends on the operating environment: wet, smoky or particularly dirty surroundings can cause more accumulation of dirt on the optics of the device.

- Clean with a soft cloth using our lamp and lens cleaner (item no. 280122).
- Always dry the parts carefully.

## 11 Protecting the environment

### Disposal of the packaging material



For the packaging, environmentally friendly materials have been chosen that can be supplied to normal recycling.

Ensure that plastic bags, packaging, etc. are properly disposed of.

Do not just dispose of these materials with your normal household waste, but make sure that they are collected for recycling. Please follow the notes and markings on the packaging.

### Disposal of batteries



Batteries do contain some hazardous chemicals so they should not be thrown away with the normal household waste. They should be returned to the manufacturer for disposal or recycled elsewhere in accordance with your local regulations.

Remove lithium batteries from the device before disposal. Protect used lithium batteries against potential short circuits, e.g. by covering the poles with adhesive tape. Dispose the built-in lithium batteries together with the device. Please check for an appropriate reception facility.

### Disposal of your old device



This product is subject to the European Waste Electrical and Electronic Equipment Directive (WEEE) in its currently valid version. Do not dispose with your normal household waste.

Dispose of this device through an approved waste disposal firm or through your local waste facility. When discarding the device, comply with the rules and regulations that apply in your country. If in doubt, consult your local waste disposal facility.



