




STAIRVILLE

MH-z1915 V2
Quad LED Wash Zoom
moving head

Musikhaus Thomann
Thomann GmbH
Hans-Thomann-Straße 1
96138 Burgebrach
Germany
Telephone: +49 (0) 9546 9223-0
E-mail: info@thomann.de
Internet: www.thomann.de

21.02.2020, ID: 456674

Table of contents

1	General information	5
	1.1 Further information.....	6
	1.2 Notational conventions.....	7
	1.3 Symbols and signal words.....	8
2	Safety instructions	11
3	Features	18
4	Installation	20
5	Starting up	25
6	Connections and operating elements	28
7	Operating	31
	7.1 Starting the device.....	31
	7.2 Main menu.....	32
	7.3 Menu overview (main menu).....	43
	7.4 Settings menu.....	46
	7.5 Menu overview (settings menu).....	48

7.6	Functions in 14-channel DMX mode.....	49
7.7	Functions in 26-channel DMX mode.....	59
8	Technical specifications.....	76
9	Plug and connection assignments.....	78
10	Troubleshooting.....	79
11	Cleaning.....	81
12	Protecting the environment.....	82

1 General information

This user manual contains important information on the safe operation of the device. Read and follow all safety notes and all instructions. Save this manual for future reference. Make sure that it is available to all persons using this device. If you sell the device to another user, be sure that they also receive this manual.

Our products and user manuals are subject to a process of continuous development. We therefore reserve the right to make changes without notice. Please refer to the latest version of the user manual which is ready for download under www.thomann.de.

1.1 Further information

On our website (www.thomann.de) you will find lots of further information and details on the following points:

Download	This manual is also available as PDF file for you to download.
Keyword search	Use the search function in the electronic version to find the topics of interest for you quickly.
Online guides	Our online guides provide detailed information on technical basics and terms.
Personal consultation	For personal consultation please contact our technical hotline.
Service	If you have any problems with the device the customer service will gladly assist you.

1.2 Notational conventions

This manual uses the following notational conventions:

Letterings

The letterings for connectors and controls are marked by square brackets and italics.

Examples: *[VOLUME]* control, *[Mono]* button.

Displays

Texts and values displayed on the device are marked by quotation marks and italics.

Examples: *'24ch'*, *'OFF'*.

Text input

Text inputs that are carried out on the device are indicated by typewriter font.

Example: 2323


Cross-references




References to other locations in this manual are identified by an arrow and the specified page number. In the electronic version of the manual, you can click the cross-reference to jump to the specified location.

Example: See ↗ *'Cross-references'* on page 8.

1.3 Symbols and signal words

In this section you will find an overview of the meaning of symbols and signal words that are used in this manual.

Signal word	Meaning
DANGER!	This combination of symbol and signal word indicates an immediate dangerous situation that will result in death or serious injury if it is not avoided.
WARNING!	This combination of symbol and signal word indicates a possible dangerous situation that can result in death or serious injury if it is not avoided.
CAUTION!	This combination of symbol and signal word indicates a possible dangerous situation that can result in minor injury if it is not avoided.
NOTICE!	This combination of symbol and signal word indicates a possible dangerous situation that can result in material and environmental damage if it is not avoided.
Warning signs	Type of danger
	Warning – high-voltage.

Warning signs	Type of danger
	Warning – dangerous optical radiation.
	Warning – suspended load.
	Warning – danger zone.

2 Safety instructions

Intended use

This device is intended for use as a freely moving multifunctional spotlight. The device is designed for professional use and is not suitable for use in households. Use the device only as described in this user manual. Any other use or use under other operating conditions is considered to be improper and may result in personal injury or property damage. No liability will be assumed for damages resulting from improper use.

This device may be used only by persons with sufficient physical, sensorial, and intellectual abilities and having corresponding knowledge and experience. Other persons may use this device only if they are supervised or instructed by a person who is responsible for their safety.

Extend the operating life of the device by regular breaks and by avoiding frequent switching on and off. The device is not suitable for continuous operation.

Safety



DANGER!

Danger for children

Ensure that plastic bags, packaging, etc. are disposed of properly and are not within reach of babies and young children. Choking hazard!

Ensure that children do not detach any small parts (e.g. knobs or the like) from the unit. They could swallow the pieces and choke!

Never let children unattended use electrical devices.



DANGER!

Electric shock caused by high voltages inside

Within the device there are areas where high voltages may be present. Never remove any covers.

There are no user-serviceable parts inside.

Do not use the device if covers, protectors or optical components are missing or damaged.



DANGER!

Electric shock caused by short-circuit

Always use proper ready-made insulated mains cabling (power cord). Do not modify the mains cable. Failure to do so could result in electric shock/death or fire. If in doubt, seek advice from a registered electrician.



WARNING!

Eye damage caused by high light intensity

Never look directly into the light source.



WARNING!

Risk of epileptic shock

Strobe lighting can trigger seizures in photosensitive epilepsy. Sensitive persons should avoid looking at strobe lights.



WARNING!

Risk of injury caused by falling objects

Make sure that the installation complies with the standards and rules that apply in your country. Always secure the device with a secondary safety attachment, such as a safety cable or a safety chain.

The load capacity of trusses or other fixtures must be sufficient for the intended number of devices. Note that the movement of the head places additional loads on the load-bearing parts.



CAUTION!

Risk of injury due to movements of the device

The head of the device can move quickly (pan, tilt) and can produce very bright light. This is also valid immediately after you turn on the device, when the device operates in automatic mode or under remote control and when you turn off a DMX controller that is connected to the device. Persons staying near the device could be injured or frightened.

Before you turn on the device and during the operation, always ensure that nobody stays close to the device. If work has to be performed in the area of movement or in the near vicinity of the device, it must remain turned off.



NOTICE!

Risk of fire

Do not block areas of ventilation. Do not install the device near any direct heat source. Keep the device away from naked flames.



NOTICE!

Operating conditions

This device has been designed for indoor use only. To prevent damage, never expose the device to any liquid or moisture. Avoid direct sunlight, heavy dirt, and strong vibrations.

Only operate the device within the ambient conditions specified in the chapter 'Technical specifications' of this user manual. Avoid heavy temperature fluctuations and do not switch the device on immediately after it was exposed to temperature fluctuations (for example after transport at low outside temperatures).

Dust and dirt inside can damage the unit. When operated in harmful ambient conditions (dust, smoke, nicotine, fog, etc.), the unit should be maintained by qualified service personnel at regular intervals to prevent overheating and other malfunction.

The device must not be moved during use.



NOTICE!

Power supply

Before connecting the device, ensure that the input voltage (AC outlet) matches the voltage rating of the device and that the AC outlet is protected by a residual current circuit breaker. Failure to do so could result in damage to the device and possibly injure the user.

Unplug the device before electrical storms occur and when it is unused for long periods of time to reduce the risk of electric shock or fire.



NOTICE!

Possible damage due to installation of a wrong fuse

The use of different types of fuses can cause serious damage to the unit. Fire hazard!

Only fuses of the same type may be used.

3 Features

The moving head is particularly suitable for professional lighting tasks, for example at events, on rock stages, in theatres and musicals or in night clubs.

Special features of the device:

- 19 four-colour LEDs (RGBW, 15 W each)
- Control via DMX (14 or 26 channels) as well as buttons and display on the unit
- Preprogrammed automatic show programmes
- Sound control
- Master / Slave mode
- Strobe effect
- Electronic dimmer
- Three separately controllable LED groups
- Robust housing with two integrated carrying handles
- Zoom optics provides high colour fidelity in all mixing and zooming
- Mounting bracket and safety cable eyelet supplied

For technological reasons, the light output of LEDs decreases over their lifetime. This effect increases with higher operating temperature. You can extend the service life of the illuminants by providing adequate ventilation and operating the LEDs with the lowest possible brightness.

4 Installation

Unpack and check carefully there is no transportation damage before using the unit. Keep the equipment packaging. To fully protect the product against vibration, dust and moisture during transportation or storage use the original packaging or your own packaging material suitable for transport or storage, respectively.

Lift the device only at the base. When lifted at the rotatable mounting, the device may be damaged.

You can install the device standing or hanging. When in use, the device must be mounted at a solid surface or clamped to an approved truss.

Work from a stable platform whenever you install or move the device or when you perform any kind of maintenance. Block access under the work area.

**WARNING!****Risk of injury caused by falling objects**

Make sure that the installation complies with the standards and rules that apply in your country. Always secure the device with a secondary safety attachment, such as a safety cable or a safety chain.

The load capacity of trusses or other fixtures must be sufficient for the intended number of devices. Not that the movement of the head places additional loads on the load-bearing parts.

**NOTICE!****Risk of overheating**

The distance between light output and the illuminated surface must be more than 1.5 m (19.7in).

Provide sufficient ventilation.

The ambient temperature must always be below 40 °C (104 °F).



NOTICE!

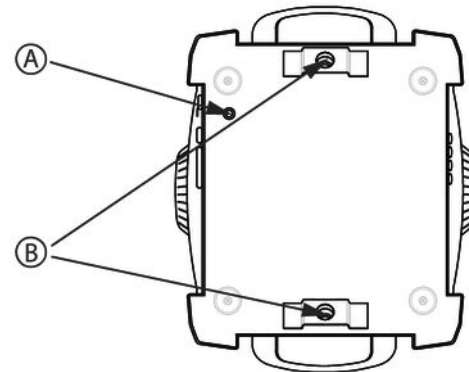
Possible data transmission errors

For error-free operation make use of dedicated DMX cables and do not use ordinary microphone cables.

Never connect the DMX input or output to audio devices such as mixers or amplifiers.

Mounting options

The threads on the case bottom are used for secure mounting. Either the supplied mounting bracket or flight adapters (half coupler, trigger clamps, C-hooks, etc.) can be attached to the two opposite threads (B). The third thread on the case bottom (A) is provided for the supplied safety cable eyelet. The safety cable must be guided through this safety eyelet.



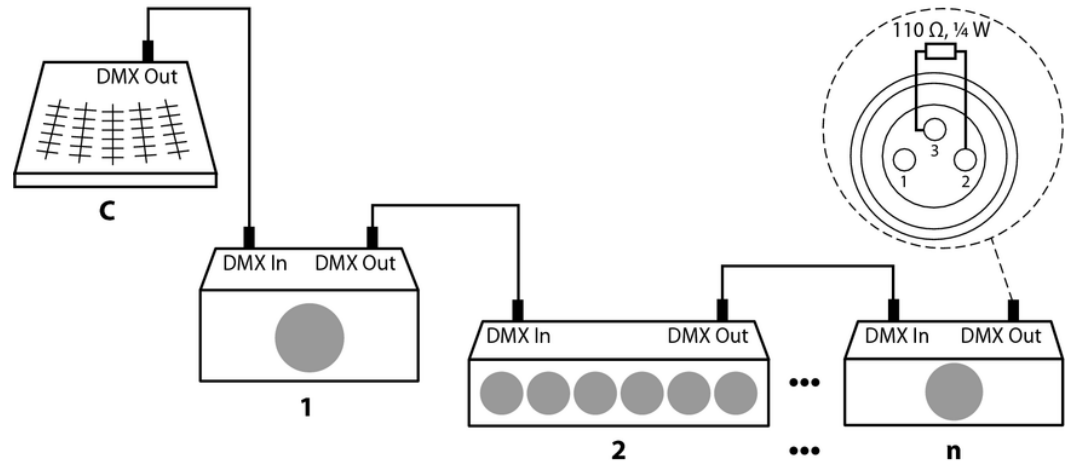
A	Thread for safety cable eyelet
B	Thread for supplied mounting bracket or flight adapters (half coupler, trigger clamps, C-hooks, etc.)

5 Starting up

Create all connections while the device is off. Use the shortest possible high-quality cables for all connections. Take care when running the cables to prevent tripping hazards.

Connections in DMX mode

Connect the DMX input of the device to the DMX output of a DMX controller or another DMX device. Connect the output of the first DMX device to the input of the second one, and so on to form a daisy chain. Always ensure that the output of the last DMX device in the daisy chain is terminated with a resistor ($110\ \Omega$, $\frac{1}{4}\text{ W}$).

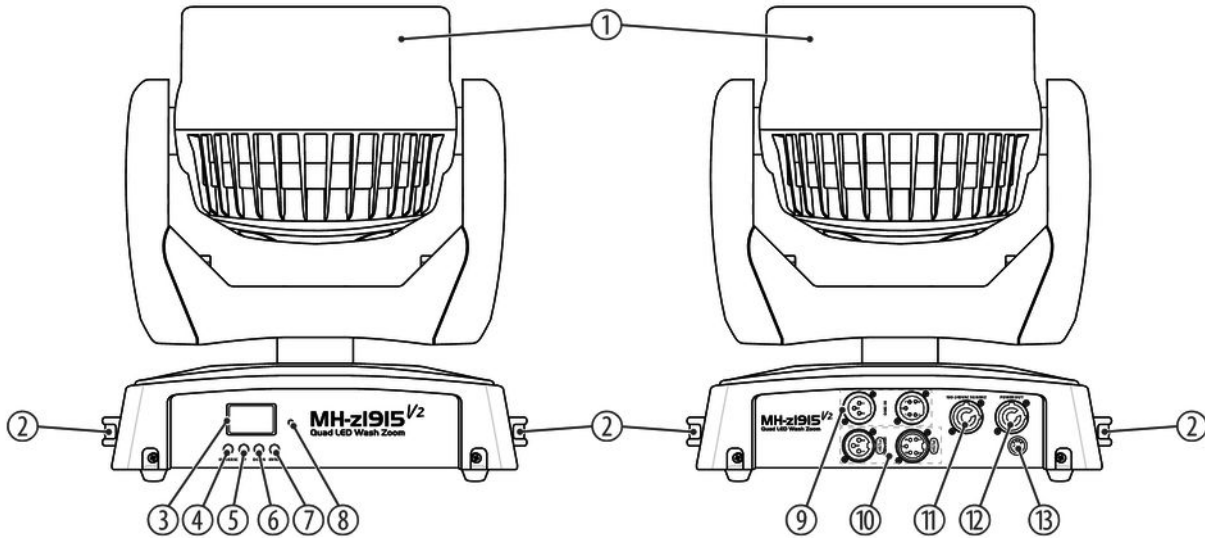


The flashing 'DMX' LED indicates an incoming DMX signal.

Connections in master/slave mode

When you configure a group of devices in master/slave mode, the first unit will control the other units for an automatic, sound-activated, synchronized show. This function is ideal when you want to start a show immediately. Connect the DMX output of the master device to the DMX input of the first slave device. Then connect the DMX output of the first slave device to the DMX input of the second slave device and so on.

6 Connections and operating elements



1	Spotlight head with LEDs
2	Handles
3	Display
4	<i>[MODE/ESC]</i> Activates the main menu and toggles between menu items. Closes an open submenu without saving any changes.
5	<i>[UP]</i> Increases the displayed value by one
6	<i>[DOWN]</i> Decreases the displayed value by one
7	<i>[ENTER]</i> Selects an option of the respective operating mode
8	DMX indicator
9	<i>[DMX IN]</i> DMX input, designed as XLR chassis plug, 3-pin and 5-pin

10	<i>[DMX OUT]</i> DMX output, designed as XLR chassis socket, 3-pin and 5-pin
11	<i>[100-240VAC 50/60HZ]</i> Lockable input socket (Power Twist) for power supply
12	<i>[POWER OUT]</i> Lockable output socket (Power Twist) for the power supply cable to the next device.
13	Fuse holder

7 Operating

7.1 Starting the device



CAUTION!

Risk of injury due to movements of the device

The head of the device can move quickly (pan, tilt) and can produce very bright light. This is also valid immediately after you turn on the device, when the device operates in automatic mode or under remote control and when you turn off a DMX controller that is connected to the device. Persons staying near the device could be injured or frightened.

Before you turn on the device and during the operation, always ensure that nobody stays close to the device. If work has to be performed in the area of movement or in the near vicinity of the device, it must remain turned off.

Connect the device to the power supply to start operation. After a few seconds, the fans start to work, the head moves to the home positions for rotation (pan) and inclination (tilt). After a few more seconds, the display shows *'Run – Addr001'*. The device is now operational.

7.2 Main menu

Press *[MODE/ESC]* to activate the main menu. Press *[UP]* and *[DOWN]* to select a main menu item and *[ENTER]* to open the selected menu item.

Use *[UP]* and *[DOWN]* to change the respectively indicated value. When the display shows the desired value press *[ENTER]*. To return to the parent menu without making changes, press *[MODE/ESC]*.

If you don't press any button for about 30 seconds the display turns off. Then press *[MODE/ESC]* briefly to turn it on again.

All previous settings are retained even when you switch the device off and disconnect it from the mains. To restart with default values, use the function 'Load set' (see ↗ 'Loading default values' on page 42).

DMX address

Press *[MODE/ESC]* to activate the main menu. Press *[UP]* and *[DOWN]* until 'DMX Address' flashes in the top row of the display. Press *[ENTER]* to open this menu item. Now you can set the number of the first DMX channel to be used by the device (DMX address). Use *[UP]* and *[DOWN]* to select a value between 1 and 512.

When the display shows the desired value press *[ENTER]* to confirm the setting and then *[MODE/ESC]* to change to the next menu item. To change the menu item without making any changes, press *[MODE/ESC]*.

Make sure that this number matches the configuration of your DMX controller. The following table shows the highest possible DMX address for the various DMX modes.

Mode	Highest possible DMX address
14 channels	499
26 channels	487

Operating mode 'Auto-Show'

Press *[MODE/ESC]* to activate the main menu. Press *[UP]* and *[DOWN]* until 'Run' flashes in the top row of the display. Press *[ENTER]* to open this menu item. With *[UP]* and *[DOWN]* you can now select the operating mode: Press *[ENTER]* to start operation in the selected mode.

Menu display	Operating mode
'Fast'	Fast automatic show in Stand-alone mode
'Slow'	Slow automatic show in Stand-alone mode
'Sound'	Sound-controlled show in Stand-alone mode
'Slave'	Preprogrammed show in Slave mode

Pan inversion

Press *[MODE/ESC]* to activate the main menu. Press *[UP]* and *[DOWN]* until the top row of the display 'Pan' flashes. Press *[ENTER]* to open this menu item. With *[UP]* and *[DOWN]* you can now choose between 'Reverse' (reverse rotational direction) and 'Normal' (normal rotational direction).

When the display shows the desired value press *[ENTER]* to confirm the setting and then *[MODE/ESC]* to change to the next menu item. To change the menu item without making any changes, press *[MODE/ESC]*.

Tilt inversion

Press *[MODE/ESC]* to activate the main menu. Press *[UP]* and *[DOWN]* until the top row of the display '*Tilt*' flashes. Press *[ENTER]* to open this menu item. With *[UP]* and *[DOWN]* you can now choose between '*Reverse*' (reverse direction of inclination) and '*Normal*' (normal direction of inclination).

When the display shows the desired value press *[ENTER]* to confirm the setting and then *[MODE/ESC]* to change to the next menu item. To change the menu item without making any changes, press *[MODE/ESC]*.

Motor speed

Press *[MODE/ESC]* to activate the main menu. Press *[UP]* and *[DOWN]* until '*PT Speed*' flashes in the top row of the display. Press *[ENTER]* to open this menu item. With *[UP]* and *[DOWN]* you can now choose between '*Fast*' (high speed), '*Slow*' (low speed for rotation and inclination) and '*Normal*' (medium speed).

When the display shows the desired value press *[ENTER]* to confirm the setting and then *[MODE/ESC]* to change to the next menu item. To change the menu item without making any changes, press *[MODE/ESC]*.

Fan control

Press *[MODE/ESC]* to activate the main menu. Press *[UP]* and *[DOWN]* until 'Fans' flashes in the top row of the display. Press *[ENTER]* to open this menu item. With *[UP]* and *[DOWN]* you can now select between 'Auto' (automatic fan speed control depending on device temperature) and 'Full' (maximum fan speed).

When the display shows the desired value press *[ENTER]* to confirm the setting and then *[MODE/ESC]* to change to the next menu item. To change the menu item without making any changes, press *[MODE/ESC]*.

Display on time

Press *[MODE/ESC]* to activate the main menu. Press *[UP]* and *[DOWN]* until 'Display' flashes in the top row of the display. Press *[ENTER]* to open this menu item. With *[UP]* and *[DOWN]* you can now select between 'Bright' (display constantly on) and '30 Close' (displays turns off after 30 seconds without any key press).

When the display shows the desired value press *[ENTER]* to confirm the setting and then *[MODE/ESC]* to change to the next menu item. To change the menu item without making any changes, press *[MODE/ESC]*.

Pan range

Press *[MODE/ESC]* to activate the main menu. Press *[UP]* and *[DOWN]* until '*P Angle*' flashes in the top row of the display. Press *[ENTER]* to open this menu item. With *[UP]* and *[DOWN]* you can now specify the Pan range. Choose between '*520*' (Pan range = 520°), '*360*' (Pan range = 360°) and '*180*' (Pan range = 180°).

When the display shows the desired value press *[ENTER]* to confirm the setting and then *[MODE/ESC]* to change to the next menu item. To change the menu item without making any changes, press *[MODE/ESC]*.

Tilt range

Press *[MODE/ESC]* to activate the main menu. Press *[UP]* and *[DOWN]* until '*T Angle*' flashes in the top row of the display. Press *[ENTER]* to open this menu item. With *[UP]* and *[DOWN]* you can now specify the Tilt range. Choose between '*220*' (Tilt range = 220°), '*180*' (Tilt range = 180°) and '*90*' (Tilt range = 90°).

When the display shows the desired value press *[ENTER]* to confirm the setting and then *[MODE/ESC]* to change to the next menu item. To change the menu item without making any changes, press *[MODE/ESC]*.

Operating mode 'DMX'

Press *[MODE/ESC]* to activate the main menu. Press *[UP]* and *[DOWN]* until 'Channel' flashes in the top row of the display. Press *[ENTER]* to open this menu item. With *[UP]* and *[DOWN]* you can now select one of the following DMX operating modes: 26-channel (display shows '26CH') or 14-channel (display shows '14CH'). This setting is only relevant when the device is controlled via DMX.

When the display shows the desired value press *[ENTER]* to confirm the setting and then *[MODE/ESC]* to change to the next menu item. To change the menu item without making any changes, press *[MODE/ESC]*.

Temperature display

Press *[MODE/ESC]* to activate the main menu. Press *[UP]* and *[DOWN]* until 'TempDisp' flashes in the top row of the display. Press *[ENTER]* to let the display show the current LED temperature.

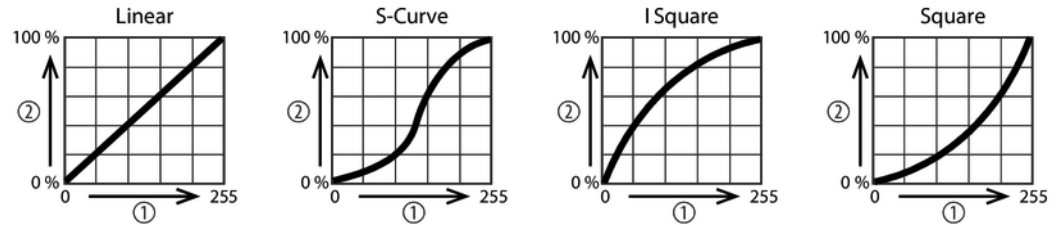
Press *[MODE/ESC]* to quit the menu.

Dimmer curve

Press *[MODE/ESC]* to activate the main menu. Press *[UP]* and *[DOWN]* until 'DimCurve' flashes in the top row of the display. Press *[ENTER]* to open this menu item. With *[UP]* and *[DOWN]* you can now select one of the following dimmer curves: The dimmer curve determines how the brightness increases or decreases depending on the set DMX value. This setting is only relevant when the device is controlled via DMX.

When the display shows the desired value press *[ENTER]* to confirm the setting and then *[MODE/ESC]* to change to the next menu item. To change the menu item without making any changes, press *[MODE/ESC]*.

Display	Meaning
'Linear'	Linear (proportional) course
'Square'	Inverted square curve with a steep profile at the beginning and flat profile at the end
'l Square'	Inverted quadratic curve with a steep profile at the beginning and flat profile at the end
'S Curve'	Non-linear curve with a distinctive flat profile at the beginning and end



The figure schematically shows the adjustable dimmer curves. Depending on the selected DMX value (1) the device lights with a brightness (2) between 0 % and 100 %.

Dimmer speed

Press **[MODE/ESC]** to activate the main menu. Press **[UP]** and **[DOWN]** until 'DimSpeed' flashes in the top row of the display. Press **[ENTER]** to open this menu item. With **[UP]** and **[DOWN]** you can now select one of the following dimmer speed values: 'Smooth' (slow) or 'Fast' (fast).

When the display shows the desired value press **[ENTER]** to confirm the setting and then **[MODE/ESC]** to change to the next menu item. To change the menu item without making any changes, press **[MODE/ESC]**.

White balance

Press *[MODE/ESC]* to activate the main menu. Press *[UP]* and *[DOWN]* until 'Balance' flashes in the top row of the display. Press *[ENTER]* to open this menu item. With *[UP]* and *[DOWN]* you can now select the primary colour you want to set: 'BalanceR' (red), 'BalanceG' (green), 'BalanceB' (blue), 'BalanceW' (white). Press again *[ENTER]*. With *[UP]* and *[DOWN]* you can now set a value between 100 and 255 for the selected colour.

When the display shows the desired value press *[ENTER]* to confirm the setting and then *[MODE/ESC]* to change to the next menu item. To change the menu item without making any changes, press *[MODE/ESC]*.

Microphone sensitivity

Press *[MODE/ESC]* to activate the main menu. Press *[UP]* and *[DOWN]* until 'Sens' flashes in the top row of the display. Press *[ENTER]* to open this menu item. With *[UP]* and *[DOWN]* you can now set the sensitivity for the sound control: Use *[UP]* and *[DOWN]* to select a value between 1 (low sensitivity) and 100 (high sensitivity).

When the display shows the desired value press *[ENTER]* to confirm the setting and then *[MODE/ESC]* to change to the next menu item. To change the menu item without making any changes, press *[MODE/ESC]*.

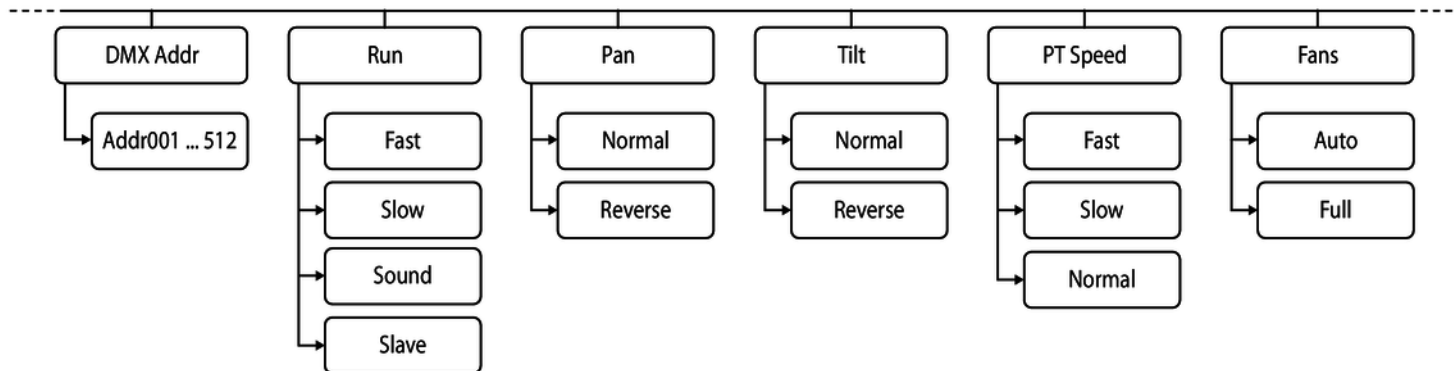
System reset

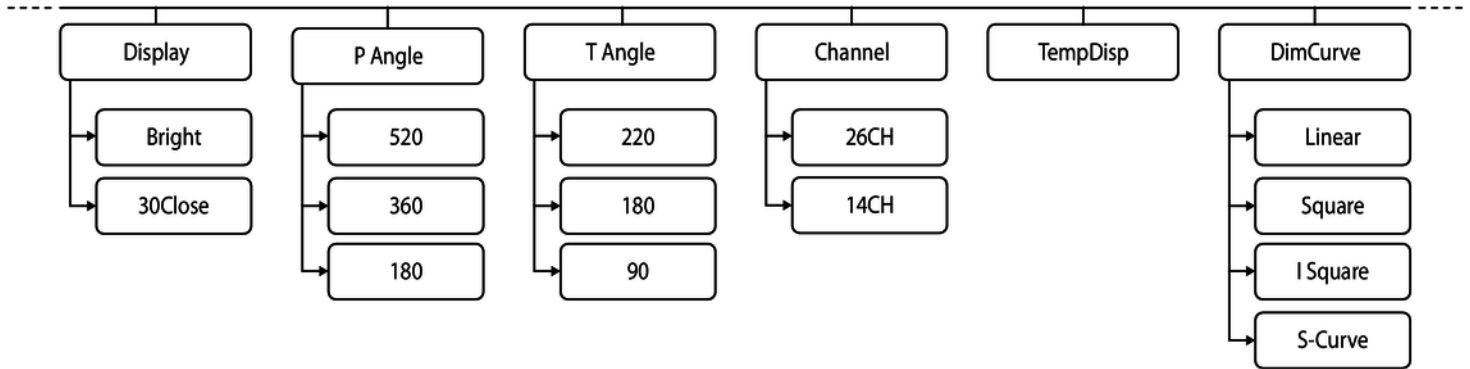
Press *[MODE/ESC]* to activate the main menu. Press *[UP]* and *[DOWN]* until *'Reset System'* flashes in the top row of the display. Press *[ENTER]* to open this menu item. With *[UP]* and *[DOWN]* you can now select one of the following options *'No'* or *'Ok'*. Select *'Ok'* and press *[ENTER]* to reset all movable axes to their home positions.

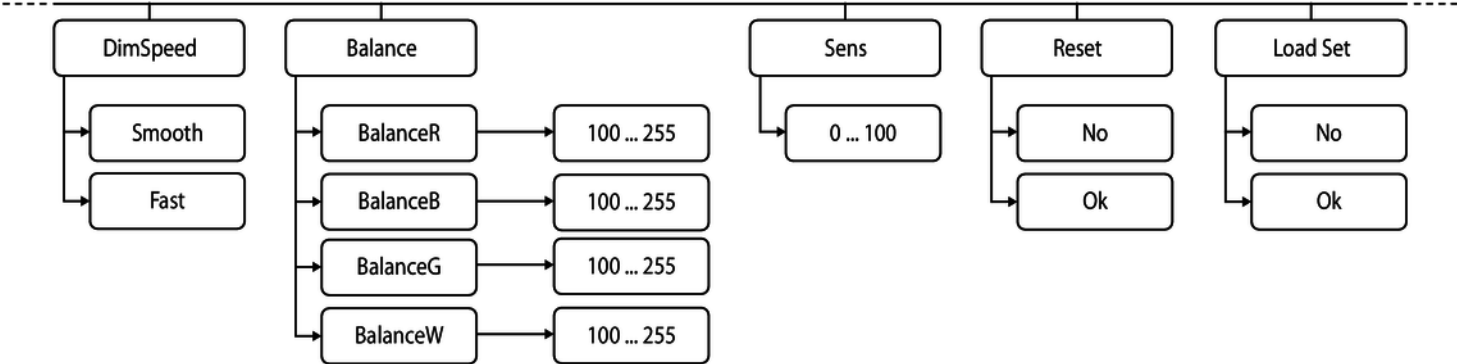
Loading default values

Press *[MODE/ESC]* to activate the main menu. Press *[UP]* and *[DOWN]* until *'Load Set'* flashes in the top row of the display. Press *[ENTER]* to open this menu item. With *[UP]* and *[DOWN]* you can now select one of the following options *'No'* or *'Ok'*. Select *'Ok'* and press *[ENTER]* to reset all values to their factory default settings.

7.3 Menu overview (main menu)







7.4 Settings menu

Press *[MODE/ESC]* for at least five seconds to enable the settings menu. Use *[UP]* or *[DOWN]* to enter the password 0000 for the device. At that, the button *[UP]* changes the digit in the cursor position, the button *[DOWN]* moves the cursor to the next position. Press *[ENTER]* when all digits are entered.

Press *[MODE/ESC]* twice to quit the settings menu.

All settings done here are retained even when you disconnect the device from the mains.

Rotation (alignment)

Activate the settings menu. Press *[UP]* and *[DOWN]* until the top row of the display 'Pan' flashes. Press *[ENTER]* to open this menu item. Use the buttons *[UP]* or *[DOWN]* to adjust the desired home position.

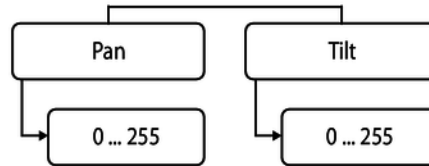
When the display shows the desired value press *[ENTER]* to confirm the setting and then *[MODE/ESC]* to change to the next menu item. To change the menu item without making any changes, press *[MODE/ESC]*.

Inclination (alignment)

Activate the settings menu. Press *[UP]* and *[DOWN]* until the top row of the display 'Tilt' flashes. Press *[ENTER]* to open this menu item. Use the buttons *[UP]* or *[DOWN]* to adjust the desired home position.

When the display shows the desired value press *[ENTER]* to confirm the setting and then *[MODE/ESC]* to change to the next menu item. To change the menu item without making any changes, press *[MODE/ESC]*.

7.5 Menu overview (settings menu)



7.6 Functions in 14-channel DMX mode

Channel	Value	Function
1	0 ... 255	Rotation (pan) (0° up to the maximum value of the Pan range: 180°, 360° or 520°)
2	0 ... 255	Inclination (tilt) (0° up to the maximum value of the Tilt range: 90°, 180° or 220°)
3	0 ... 255	Movement speed (fast to slow)
4	0 ... 255	Intensity Red (0 % to 100 %)
5	0 ... 255	Intensity Green (0 % to 100 %)
6	0 ... 255	Intensity Blue (0 % to 100 %)
7	0 ... 255	Intensity white (0 % to 100 %)
8	Preprogrammed light effects	
	0 ... 15	No light effect
	16 ... 20	Light effect 1
	21 ... 25	Light effect 2

Channel	Value	Function
	26 ... 30	Light effect 3
	31 ... 35	Light effect 4
	36 ... 40	Light effect 5
	41 ... 45	Light effect 6
	46 ... 50	Light effect 7
	51 ... 55	Light effect 8
	56 ... 60	Light effect 9
	61 ... 65	Light effect 10
	66 ... 70	Light effect 11
	71 ... 75	Light effect 12
	76 ... 80	Light effect 13
	81 ... 85	Light effect 14
	86 ... 90	Light effect 15

Channel	Value	Function
	91 ... 95	Light effect 16
	96 ... 100	Light effect 17
	101 ... 105	Light effect 18
	106 ... 110	Light effect 19
	111 ... 115	Light effect 20
	116 ... 120	Light effect 21
	121 ... 125	Light effect 22
	126 ... 130	Light effect 23
	131 ... 135	Light effect 24
	136 ... 140	Light effect 25
	141 ... 145	Light effect 26
	146 ... 150	Light effect 27
	151 ... 155	Light effect 28

MH-z1915 V2 Quad LED Wash Zoom

Channel	Value	Function
	156 ... 160	Light effect 29
	161 ... 165	Light effect 30
	166 ... 170	Light effect 31
	171 ... 175	Light effect 32
	176 ... 180	Light effect 33
	181 ... 185	Light effect 34
	186 ... 190	Light effect 35
	191 ... 195	Light effect 36
	196 ... 200	Light effect 37
	201 ... 205	Light effect 38
	206 ... 210	Light effect 39
	211 ... 215	Light effect 40
	216 ... 220	Light effect 41

Channel	Value	Function
	221 ... 225	Light effect 42
	226 ... 230	Light effect 43
	231 ... 235	Light effect 44
	236 ... 240	Light effect 45
	241 ... 245	Light effect 46
	246 ... 250	Light effect 47
	251 ... 255	Light effect 48
9	0 ... 255	Preprogrammed effects speed (from slow to fast)
10	0 ... 255	Dimmer (0 % to 100 %)
11	Stroboscope	
	0 ... 19	Closed
	20 ... 24	Open
	25 ... 64	Strobe effect 1 from fast to slow

Channel	Value	Function
	65 ... 69	Open
	70 ... 84	Strobe effect 2 (fast on, slow off), from fast to slow
	85 ... 89	Open
	90 ... 104	Strobe effect 3 (slow on, fast off), from fast to slow
	105 ... 109	Open
	110 ... 124	Strobe effect 4 (random) from fast to slow
	125 ... 129	Open
	130 ... 144	Strobe effect 5 (random, fast on, slow off), from fast to slow
	145 ... 149	Open
	150 ... 164	Strobe effect 6 (random, slow on, fast off), from fast to slow
	165 ... 169	Open
	170 ... 184	Strobe effect 7 (pulse series) from fast to slow
	185 ... 189	Open

Channel	Value	Function
	190 ... 204	Strobe effect 8 (pulse series with random frequency), from fast to slow
	205 ... 209	Open
	210 ... 224	Strobe effect 9 (single pulses) from fast to slow
	225 ... 229	Open
	230 ... 244	Strobe effect 10 (pulse series) from fast to slow
	245 ... 255	Open
12	0 ... 255	Optical zoom, large to small
13	Special settings	
	0 ... 9	No function
	10 ... 14	Blackout during pan and tilt movement
	15 ... 49	No function
	50 ... 54	Rotation position reset
	55 ... 59	Inclination position reset

Channel	Value	Function
	60 ... 64	Optical zoom reset
	65 ... 69	No function
	70 ... 74	All functions reset
	75 ... 79	No function
	80 ... 84	Inversion of rotation and inclination direction
	85 ... 89	Inversion of rotation direction
	90 ... 94	Inversion of inclination direction
	95 ... 99	Cancel inversion of rotation direction
	100 ... 104	Cancel inversion of inclination direction
	105 ... 109	Cancel inversion of rotation and inclination direction
	110 ... 114	Movement speed normal
	115 ... 119	Movement speed fast
	120 ... 124	Movement speed slow

Channel	Value	Function
	125 ... 129	Maximum fan speed
	130 ... 134	Automatic fan speed control depending on device temperature
	135 ... 139	Dimmer speed fast
	140 ... 144	Dimmer speed slow
	145 ... 255	No function
14	Preprogrammed movement pattern	
	0 ... 7	No function
	8 ... 23	Movement pattern 1
	24 ... 39	Movement pattern 2
	40 ... 55	Movement pattern 3
	56 ... 71	Movement pattern 4
	72 ... 87	Movement pattern 5
	88 ... 103	Movement pattern 6

Channel	Value	Function
	104 ... 119	Movement pattern 7
	120 ... 135	Movement pattern 8
	136 ... 151	Movement pattern 1 with sound control
	152 ... 167	Movement pattern 2 with sound control
	168 ... 183	Movement pattern 3 with sound control
	184 ... 199	Movement pattern 4 with sound control
	200 ... 215	Movement pattern 5 with sound control
	216 ... 231	Movement pattern 6 with sound control
	232 ... 247	Movement pattern 7 with sound control
	248 ... 255	Movement pattern 8 with sound control

7.7 Functions in 26-channel DMX mode

Channel	Value	Function
1	0 ... 255	Rotation (pan) (0° up to the maximum value of the Pan range: 180°, 360° or 520°)
2	0 ... 255	Fine adjustment for rotation (pan)
3	0 ... 255	Inclination (tilt) (0° up to the maximum value of the Tilt range: 90°, 180° or 220°)
4	0 ... 255	Fine adjustment for inclination (tilt)
5	0 ... 255	Movement speed (fast to slow)
6	0 ... 255	Intensity Red (0 % to 100 %), LED group 1 (↪ <i>'LED groups' on page 75</i>)
7	0 ... 255	Intensity Green (0 % to 100 %), LED group 1
8	0 ... 255	Intensity Blue (0 % to 100 %), LED group 1
9	0 ... 255	Intensity White (0 % to 100 %), LED group 1
10	0 ... 255	Intensity Red (0 % to 100 %), LED group 2
11	0 ... 255	Intensity Green (0 % to 100 %), LED group 2

Channel	Value	Function
12	0 ... 255	Intensity Blue (0 % to 100 %), LED group 2
13	0 ... 255	Intensity White (0 % to 100 %), LED group 2
14	0 ... 255	Intensity Red (0 % to 100 %), LED group 3
15	0 ... 255	Intensity Green (0 % to 100 %), LED group 3
16	0 ... 255	Intensity Blue (0 % to 100 %), LED group 3
17	0 ... 255	Intensity White (0 % to 100 %), LED group 3
18	Colour setting	
	The adjustable colours and the corresponding numbers are listed on a separate information sheet, which is available online.	
	0 ... 4	No function
	5 ... 9	Colour 1
	10 ... 14	Colour 2
	15 ... 19	Colour 3

Channel	Value	Function
	20 ... 24	Colour 4
	25 ... 29	Colour 5
	30 ... 34	Colour 6
	35 ... 39	Colour 7
	40 ... 44	Colour 8
	45 ... 49	Colour 9
	50 ... 54	Colour 10
	55 ... 59	Colour 11
	60 ... 64	Colour 12
	65 ... 69	Colour 13
	70 ... 74	Colour 14
	75 ... 79	Colour 15
	80 ... 84	Colour 16

Channel	Value	Function
	85 ... 89	Colour 17
	90 ... 94	Colour 18
	95 ... 99	Colour 19
	100 ... 104	Colour 20
	105 ... 109	Colour 21
	110 ... 114	Colour 22
	115 ... 119	Colour 23
	120 ... 124	Colour 24
	125 ... 129	Colour 25
	130 ... 134	Colour 26
	135 ... 139	Colour 27
	140 ... 144	Colour 28
	145 ... 149	Colour 29

Channel	Value	Function
	150 ... 154	Colour 30
	155 ... 159	Colour 31
	160 ... 164	Colour 32
	165 ... 169	Colour 33
	170 ... 174	Colour 34
	175 ... 179	No function
	180 ... 201	Automatic gradual change from colour 1 to 34 in ascending order, from fast to slow
	202 ... 207	Stopping automatic colour change
	208 ... 229	Automatic gradual change from colour 34 to 1 in descending order, from fast to slow
	230 ... 234	No function
	235 ... 249	Automatic stepwise colour change, from fast to slow
	250 ... 255	Sound-controlled colour change
19	Selection of LED groups (see ↗ 'LED groups' on page 75)	

Channel	Value	Function
	0 ... 023	Active LED groups: 1, 2, 3
	024 ... 031	Active LED groups: 1, 2
	032 ... 039	Active LED group: 1
	040 ... 063	Dark
	064 ... 071	Active LED group: 3
	072 ... 079	Active LED groups: 2, 3
	080 ... 087	Active LED groups: 1, 2, 3
	088 ... 103	Dark
	104 ... 111	Active LED group: 3
	112 ... 119	Active LED group: 2
	120 ... 127	Active LED group: 1
	128 ... 135	Dark
	136 ... 143	Active LED group: 1

Channel	Value	Function
	144 ... 151	Active LED groups: 1, 2
	152 ... 159	Active LED groups: 2, 3
	160 ... 167	Active LED group: 3
	168 ... 175	Active LED group: 1
	176 ... 183	Active LED groups: 1, 2
	184 ... 191	Active LED groups: 1, 2, 3
	200 ... 207	Active LED group: 3
	208 ... 215	Active LED groups: 1, 2
	216 ... 231	Active LED groups: 1, 2, 3
	232 ... 239	Active LED groups: 2, 3
	240 ... 247	Active LED groups: 1, 3
	248 ... 255	Active LED groups: 1, 2, 3
20	Preprogrammed light effects	

Channel	Value	Function
	0 ... 15	No light effect
	16 ... 20	Light effect 1
	21 ... 25	Light effect 2
	26 ... 30	Light effect 3
	31 ... 35	Light effect 4
	36 ... 40	Light effect 5
	41 ... 45	Light effect 6
	46 ... 50	Light effect 7
	51 ... 55	Light effect 8
	56 ... 60	Light effect 9
	61 ... 65	Light effect 10
	66 ... 70	Light effect 11
	71 ... 75	Light effect 12

Channel	Value	Function
	76 ... 80	Light effect 13
	81 ... 85	Light effect 14
	86 ... 90	Light effect 15
	91 ... 95	Light effect 16
	96 ... 100	Light effect 17
	101 ... 105	Light effect 18
	106 ... 110	Light effect 19
	111 ... 115	Light effect 20
	116 ... 120	Light effect 21
	121 ... 125	Light effect 22
	126 ... 130	Light effect 23
	131 ... 135	Light effect 24
	136 ... 140	Light effect 25

Channel	Value	Function
	141 ... 145	Light effect 26
	146 ... 150	Light effect 27
	151 ... 155	Light effect 28
	156 ... 160	Light effect 29
	161 ... 165	Light effect 30
	166 ... 170	Light effect 31
	171 ... 175	Light effect 32
	176 ... 180	Light effect 33
	181 ... 185	Light effect 34
	186 ... 190	Light effect 35
	191 ... 195	Light effect 36
	196 ... 200	Light effect 37
	201 ... 205	Light effect 38

Channel	Value	Function
	206 ... 210	Light effect 39
	211 ... 215	Light effect 40
	216 ... 220	Light effect 41
	221 ... 225	Light effect 42
	226 ... 230	Light effect 43
	231 ... 235	Light effect 44
	236 ... 240	Light effect 45
	241 ... 245	Light effect 46
	246 ... 250	Light effect 47
	251 ... 255	Light effect 48
21	0 ... 255	Preprogrammed effects speed (from slow to fast)
22	0 ... 255	Dimmer (0 % to 100 %)
23	Stroboscope	

Channel	Value	Function
	0 ... 19	Closed
	20 ... 24	Open
	25 ... 64	Strobe effect 1 from fast to slow
	65 ... 69	Open
	70 ... 84	Strobe effect 2 (fast on, slow off), from fast to slow
	85 ... 89	Open
	90 ... 104	Strobe effect 3 (slow on, fast off), from fast to slow
	105 ... 109	Open
	110 ... 124	Strobe effect 4 (random) from fast to slow
	125 ... 129	Open
	130 ... 144	Strobe effect 5 (random, fast on, slow off), from fast to slow
	145 ... 149	Open
	150 ... 164	Strobe effect 6 (random, slow on, fast off), from fast to slow

Channel	Value	Function
	165 ... 169	Open
	170 ... 184	Strobe effect 7 (pulse series) from fast to slow
	185 ... 189	Open
	190 ... 204	Strobe effect 8 (pulse series with random frequency), from fast to slow
	205 ... 209	Open
	210 ... 224	Strobe effect 9 (single pulses) from fast to slow
	225 ... 229	Open
	230 ... 244	Strobe effect 10 (pulse series) from fast to slow
	245 ... 255	Open
24	0 ... 255	Optical zoom, large to small
25	Special settings	
	0 ... 9	No function
	10 ... 14	Blackout during pan and tilt movement

Channel	Value	Function
	15 ... 49	No function
	50 ... 54	Rotation position reset
	55 ... 59	Inclination position reset
	60 ... 64	Optical zoom reset
	65 ... 69	No function
	70 ... 74	All functions reset
	75 ... 79	No function
	80 ... 84	Inversion of rotation and inclination direction
	85 ... 89	Inversion of rotation direction
	90 ... 94	Inversion of inclination direction
	95 ... 99	Cancel inversion of rotation direction
	100 ... 104	Cancel inversion of inclination direction
	105 ... 109	Cancel inversion of rotation and inclination direction

Channel	Value	Function
	110 ... 114	Movement speed normal
	115 ... 119	Movement speed fast
	120 ... 124	Movement speed slow
	125 ... 129	Maximum fan speed
	130 ... 134	Automatic fan speed control depending on device temperature
	135 ... 139	Dimmer speed fast
	140 ... 144	Dimmer speed slow
	145 ... 255	No function
26	Preprogrammed movement pattern	
	0 ... 7	No function
	8 ... 23	Movement pattern 1
	24 ... 39	Movement pattern 2
	40 ... 55	Movement pattern 3

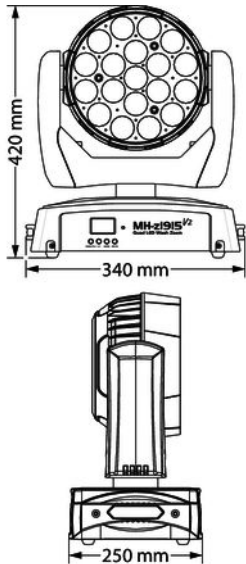
Channel	Value	Function
	56 ... 71	Movement pattern 4
	72 ... 87	Movement pattern 5
	88 ... 103	Movement pattern 6
	104 ... 119	Movement pattern 7
	120 ... 135	Movement pattern 8
	136 ... 151	Movement pattern 1 with sound control
	152 ... 167	Movement pattern 2 with sound control
	168 ... 183	Movement pattern 3 with sound control
	184 ... 199	Movement pattern 4 with sound control
	200 ... 215	Movement pattern 5 with sound control
	216 ... 231	Movement pattern 6 with sound control
	232 ... 247	Movement pattern 7 with sound control
	248 ... 255	Movement pattern 8 with sound control

LED groups



MH-z1915 V2 Quad LED Wash Zoom

8 Technical specifications



Light source	19 × four-colour LEDs, RGBW, 15 W each	
Optical properties	Beam angle	15°
Control	DMX, buttons and display on the unit	
Number of DMX channels	14 or 26	
Input connections	Voltage supply	lockable input socket (Power Twist)
	DMX control	XLR chassis plug, 3-pin and 5-pin
Output connections	Power supply for further devices	lockable output socket (Power Twist)
	DMX control	XLR chassis socket, 3-pin and 5-pin
Power consumption	320 W	
Operating supply voltage	100 – 240 V ~ 50/60 Hz	

Fuse	5 mm × 20 mm, 10 A, 250 V, fast-acting	
Protection class	IP20	
Mounting options	hanging, standing	
Dimensions (W × H × D)	340 mm × 420 mm × 250 mm	
Weight	11 kg	
Ambient conditions	Temperature range	0 °C...40 °C
	Relative humidity	50 %, non-condensing

Further information

Light output	285 W	
Colour mixture	RGBW	
Motorized zoom	Yes	

9 Plug and connection assignments

Introduction

This chapter will help you select the right cables and plugs to connect your valuable equipment so that a perfect light experience is guaranteed.

Please take our tips, because especially in 'Sound & Light' caution is indicated: Even if a plug fits into a socket, the result of an incorrect connection may be a destroyed DMX controller, a short circuit or 'just' a not working light show!

DMX connections

The unit offers a 3-pin XLR socket for DMX output and a 3-pin XLR plug for DMX input. Please refer to the drawing and table below for the pin assignment of a suitable XLR plug.



Pin	Configuration
1	Ground, shielding
2	Signal inverted (DMX-, 'cold signal')
3	Signal (DMX+, 'hot signal')

10 Troubleshooting



NOTICE!

Possible data transmission errors

For error-free operation make use of dedicated DMX cables and do not use ordinary microphone cables.

Never connect the DMX input or output to audio devices such as mixers or amplifiers.

In the following we list a few common problems that may occur during operation. We give you some suggestions for easy troubleshooting:

Symptom	Remedy
The unit does not work, no light, the fan does not run	Check the mains power connection and the main fuse.
No response to DMX controller	<ol style="list-style-type: none">1. The LED 'DMX' should be flashing on data transmission. If it doesn't, check the DMX connectors and cables for proper connection.2. If the LED 'DMX' lights up without response, check the address settings and DMX polarity.3. Try using another DMX controller.4. Check to see if the DMX cables run near or alongside to high voltage cables that may cause damage or interference to DMX interface circuits.

If the procedures recommended above do not succeed, please contact our Service Center. You can find the contact information at www.thomann.de.

11 Cleaning

Optical lenses

Clean the optical lenses, that are accessible from the outside, regularly in order to optimize the light output. The frequency of cleaning depends on the operating environment: wet, smoky or particularly dirty surroundings can cause more accumulation of dirt on the optics of the device.

- Clean with a soft cloth using our lamp and lens cleaner (item no. 280122).
- Always dry the parts carefully.

Fan grids

The fan grids of the device must be cleaned of any contamination, such as dust, etc. on a regular basis. Before cleaning, switch off the device and disconnect mains-operated devices from the mains. Only use pH-neutral, solvent-free and non-abrasive cleaning agents. Clean the unit with a slightly damp lint-free cloth.

12 Protecting the environment

Disposal of the packaging material



For the transport and protective packaging, environmentally friendly materials have been chosen that can be supplied to normal recycling.

Ensure that plastic bags, packaging, etc. are properly disposed of.

Do not just dispose of these materials with your normal household waste, but make sure that they are collected for recycling. Please follow the notes and markings on the packaging.

Disposal of your old device



This product is subject to the European Waste Electrical and Electronic Equipment Directive (WEEE) in its currently valid version. Do not dispose with your normal household waste.

Dispose of this device through an approved waste disposal firm or through your local waste facility. When discarding the device, comply with the rules and regulations that apply in your country. If in doubt, consult your local waste disposal facility.



Musikhaus Thomann · Hans-Thomann-Straße 1 · 96138 Burgebrach · Germany · www.thomann.de