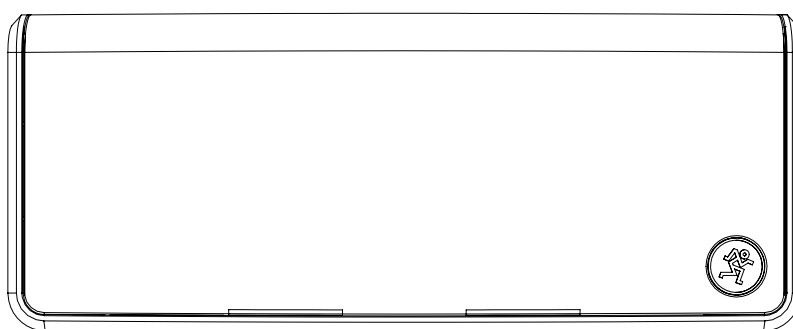




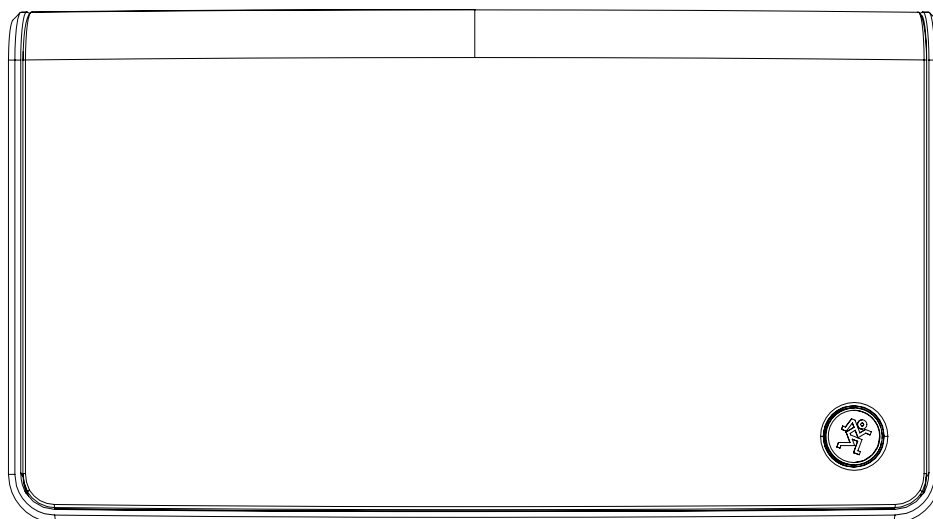
FREEPLAY

OWNER'S MANUAL

FREEPLAY GO



FREEPLAY HOME



Important Safety Instructions

1. Read these instructions.
2. Keep these instructions.
3. Heed all warnings.
4. Follow all instructions.
5. Do not use this apparatus near water.
6. Clean only with a dry cloth.
7. Do not block any ventilation openings. Install in accordance with the manufacturer's instructions.
8. Do not install near any heat sources such as radiators, heat registers, stoves, or other apparatus (including amplifiers) that produce heat.
9. Protect the power cord from being walked on or pinched particularly at plugs, convenience receptacles, and the point where they exit from the apparatus.
10. Only use attachments/accessories specified by the manufacturer.
11. Use only with a cart, stand, tripod, bracket, or table specified by the manufacturer, or sold with the apparatus. When a cart is used, use caution when moving the cart/apparatus combination to avoid injury from tip-over.
12. Unplug this apparatus during lightning storms or when unused for long periods of time.
13. Refer all servicing to qualified service personnel. Servicing is required when the apparatus has been damaged in any way, such as power-supply cord or plug is damaged, liquid has been spilled or objects have fallen into the apparatus, the apparatus has been exposed to rain or moisture, does not operate normally, or has been dropped.
14. This apparatus shall not be exposed to dripping or splashing, and no object filled with liquids, such as vases or beer glasses, shall be placed on the apparatus.
15. Do not overload wall outlets and extension cords as this can result in a risk of fire or electric shock.
16. **NOTE:** This equipment has been tested and found to comply with the limits for a Class B digital device, pursuant to part 15 of the FCC Rules. These limits are designed to provide reasonable protection against harmful interference in a residential installation. This equipment generates, uses, and can radiate radio frequency energy and, if not installed and used in accordance with the instructions, may cause harmful interference to radio communications. However, there is no guarantee that interference will not occur in a particular installation. If this equipment does cause harmful interference to radio or television reception, which can be determined by turning the equipment off and on, the user is encouraged to try to correct the interference by one or more of the following measures:



- Reorient or relocate the receiving antenna.
- Increase the separation between the equipment and the receiver.
- Connect the equipment into an outlet on a circuit different from that to which the receiver is connected.
- Consult the dealer or an experienced radio/TV technician for help.

CAUTION: Changes or modifications to this device not expressly approved by LOUD Audio, LLC could void the user's authority to operate the equipment under FCC rules.

CAUTION

RISK OF ELECTRIC SHOCK! DO NOT OPEN!

CAUTION: TO REDUCE THE RISK OF ELECTRIC SHOCK DO NOT REMOVE COVER (OR BACK). NO USER-SERVICEABLE PARTS INSIDE. REFER SERVICING TO QUALIFIED PERSONNEL.

- The lightning flash with arrowhead symbol within an equilateral triangle is intended to alert the user to the presence of uninsulated "dangerous voltage" within the product's enclosure, that may be of significant magnitude to constitute a risk of electric shock to persons.
- The exclamation point within an equilateral triangle is intended to alert the user of the presence of important operating and maintaining (servicing) instructions in the literature accompanying the appliance.

WARNING — To reduce the risk of fire or electric shock, do not expose this apparatus to rain or moisture.

17. This device complies with FCC radiation exposure limits set forth for an uncontrolled environment. This device should be installed and operated with minimum distance 20cm between the radiator & your body.
 18. The maximum ambient temperature during use of the appliance must not exceed 45° C.
 19. Operation frequency: 2402MHz – 2480MHz
 20. RF POWER = <4dBm
 21. This apparatus does not exceed the Class A/Class B (whichever is applicable) limits for radio noise emissions from digital apparatus as set out in the radio interference regulations of the Canadian Department of Communications.
- ATTENTION** — *Le présent appareil numérique n'émet pas de bruits radioélectriques dépassant les limites applicables aux appareils numériques de class A/de class B (selon le cas) prescrites dans le règlement sur le brouillage radioélectrique édicté par les ministere des communications du Canada.*
22. This device complies with Industry Canada licence-exempt RSS standard(s). Operation is subject to the following two conditions:
 - (1) this device may not cause interference, and
 - (2) this device must accept any interference, including interference that may cause undesired operation of the device.

Le présent appareil est conforme aux CNR d'Industrie Canada applicables aux appareils radio exempts de licence. L'exploitation est autorisée aux deux conditions suivantes :

- (1) l'appareil ne doit pas produire de brouillage, et
- (2) l'utilisateur de l'appareil doit accepter tout brouillage radioélectrique subi, même si le brouillage est susceptible d'en compromettre le fonctionnement.

23. Exposure to extremely high noise levels may cause permanent hearing loss. Individuals vary considerably in susceptibility to noise-induced hearing loss, but nearly everyone will lose some hearing if exposed to sufficiently intense noise for a period of time. The U.S. Government's Occupational Safety and Health Administration (OSHA) has specified the permissible noise level exposures shown in the following chart.

According to OSHA, any exposure in excess of these permissible limits could result in some hearing loss. To ensure against potentially dangerous exposure to high sound pressure levels, it is recommended that all persons exposed to equipment capable of producing high sound pressure levels use hearing protectors while the equipment is in operation. Ear plugs or protectors in the ear canals or over the ears must be worn when operating the equipment in order to prevent permanent hearing loss if exposure is in excess of the limits set forth here:

Duration, per day in hours	Sound Level dBA, Slow Response	Typical Example
8	90	Duo in small club
6	92	
4	95	Subway Train
3	97	
2	100	Very loud classical music
1.5	102	
1	105	Ryan screaming at Troy about deadlines
0.5	110	
0.25 or less	115	Loudest parts at a rock concert

WARNING — The battery (battery or batteries or battery pack) shall not be exposed to excessive heat such as sunshine, fire or the like.

CAUTION — Danger of explosion if battery is incorrectly replaced. Replace only with the same or equivalent type.

Laite on liitettävä suojakoskettimilla varustettuun pistorasiaan.

Apparatet må tilkoples jordat stikkontakt.

Apparaten skall anslutas till jordat uttag.

Correct disposal of this product: This symbol indicates that this product should not be disposed of with your household waste, according to the WEEE directive (2012/19/EU) and your national law. This product should be handed over to an authorized collection site for recycling waste electrical and electronic equipment (EEE). Improper handling of this type of waste could have a possible negative impact on the environment and human health due to potentially hazardous substances that are generally associated with EEE. At the same time, your cooperation in the correct disposal of this product will contribute to the effective usage of natural resources. For more information about where you can drop off your waste equipment for recycling, please contact your local city office, waste authority, or your household waste disposal service.

Contents

Important Safety Instructions	2
Contents	3
How To Use This Manual	3
Features.....	3
Introduction	3
Getting Started	4
Things To Remember	4
Hookup Diagrams	5
FreePlay GO and HOME: Rear Panel Features.....	7
FreePlay Connect App	7
1. Power Connector	7
2. Bluetooth / Aux Input	7
3. USB-A Port	7
4. Factory Reset Button	7
5. Passive Radiator	8
FreePlay GO and HOME: Top Panel Features.....	8
6. Power Button	8
7. Bluetooth Button.....	8
8. Level [+ and -] Buttons	8
9. Play / Pause Button.....	8
10. Speaker Link Button.....	8
Appendix A: Service Information.....	9
Appendix B: Technical Information	10
FreePlay GO and HOME Dimensions	11
Limited Warranty	12

How to Use This Manual

After this introduction, a getting started guide will help you get things set up fast. The hookup diagrams show typical setups.



This icon marks information that is critically important or unique to the FreePlay. For your own good, read and remember them.



Like us



Follow us



Watch our dang videos

Features

- Wireless Bluetooth Streaming
 - Connect your device to FreePlay GO™ or FreePlay HOME™ and enjoy powerful, room-filling sound
 - Rechargeable Lithium-ion Battery
 - Up to 15 hours of battery life*
 - Use FreePlay GO or FreePlay HOME as a power bank to charge your phone or tablet
 - Looks That Aren't Louder Than Your Music
 - The unobtrusive design features a beautiful matte black molded enclosure and a coated metal grille that looks great anywhere
 - What Other Speakers Want to be When They Grow Up
 - FreePlay GO and FreePlay HOME have been meticulously tuned by our pro audio engineers for clear, powerful sound that faithfully reproduces your music
 - Dual Passive Radiators
 - Enhanced bass and headroom for bigger, better sound that you can feel
 - Double The Fun
 - Link to a second FreePlay Series speaker for even bigger, clearer sound or split them up for an immersive multi-room listening experience
 - FreePlay Connect™ Companion App
 - Control your multi-speaker configuration right from the app
 - 1/8" Stereo Aux Input
- * Battery life will vary depending on volume and music content

Introduction

Get ready to be immersed in rich, powerful sound created by the designers of some of the world's most beloved and popular professional live sound and recording systems with FreePlay GO and FreePlay HOME.

The compact size and attractive design offers exceptional clarity and high-headroom power you won't find in most speakers this sleek. Connect your device to FreePlay GO or FreePlay HOME over Bluetooth, and even link it to a second FreePlay series speaker with enhanced control via the FreePlay Connect™ app.

Use it at home, or take it with you; its high-capacity rechargeable battery offers up to 15 hours of room-filling sound. Plus, you can even use it as a power bank to recharge your USB devices.

When you want to be moved by your music, look no further than the Mackie FreePlay GO or Mackie FreePlay HOME Portable Bluetooth® Speaker.

Getting Started

The following steps will help you set up the FreePlay GO and FreePlay HOME quickly.

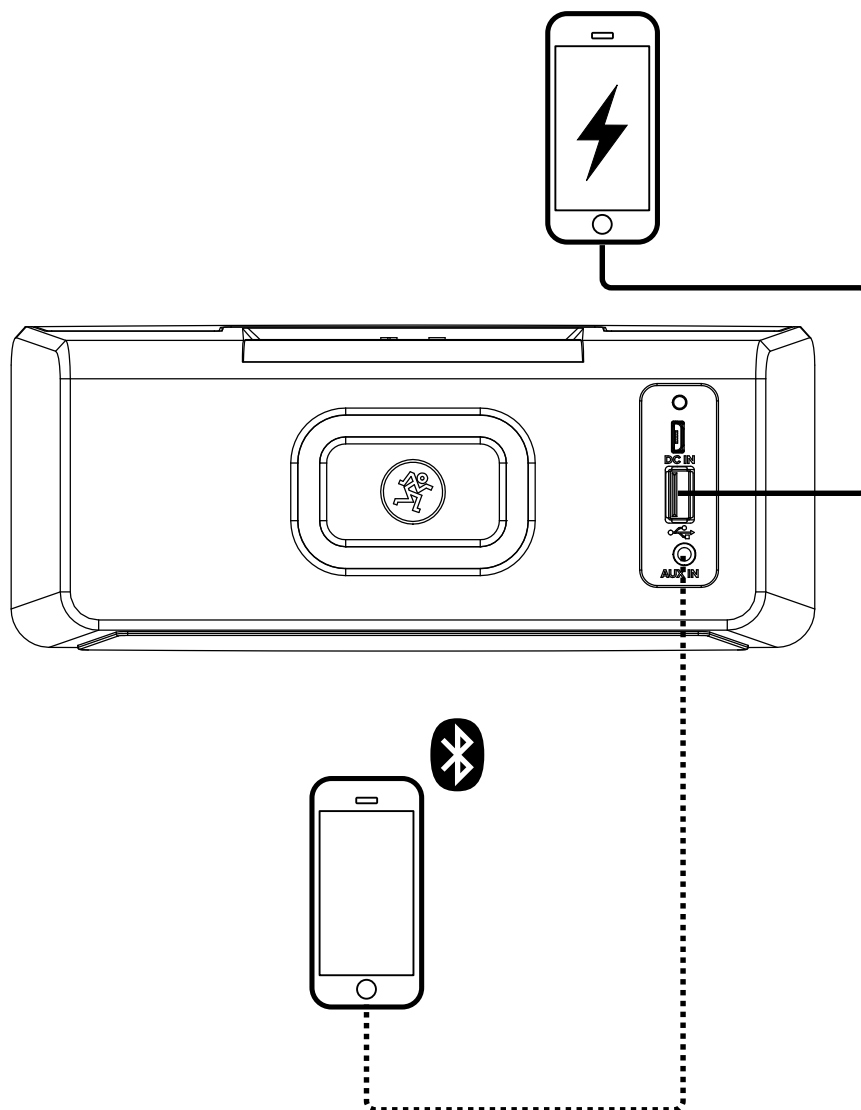
1. Make all initial connections with the power switch OFF.
2. Plug signal sources into FreePlay, such as:
 - Line-level sources such as an MP3 player plugged into the aux input.
3. **FreePlay GO** – Attach the USB-A connector end of the included cable to the power supply adapter. Attach the micro-USB connector to the FreePlay GO and plug the other end into a grounded AC outlet.

FreePlay HOME – Attach the AC connector to the power supply adapter by sliding the spring switch down. Line up the top corners (square) and bottom corners (round) and insert top side first. Release the spring switch to latch. Connect the power supply adapter to the FreePlay HOME and plug the other end into a grounded AC outlet.

4. Turn FreePlay on. A startup sound and LEDs will confirm that the unit is powered.
5. Pair and connect a smart phone or tablet via Bluetooth.
6. Be sure that the volume of the input is the same as it would be during normal use.
7. Slowly bring up the main output level to a comfortable listening level.

Things to Remember

- Never listen to loud music for prolonged periods. Please see the Safety Instructions on page 2 for information on hearing protection.
- Save the shipping boxes and packing materials! You may need them someday. Besides, your cat – if you have a small one! – will love playing in them and jumping out at you unexpectedly. Remember to pretend like you are surprised!
- Save your sales receipt in a safe place.



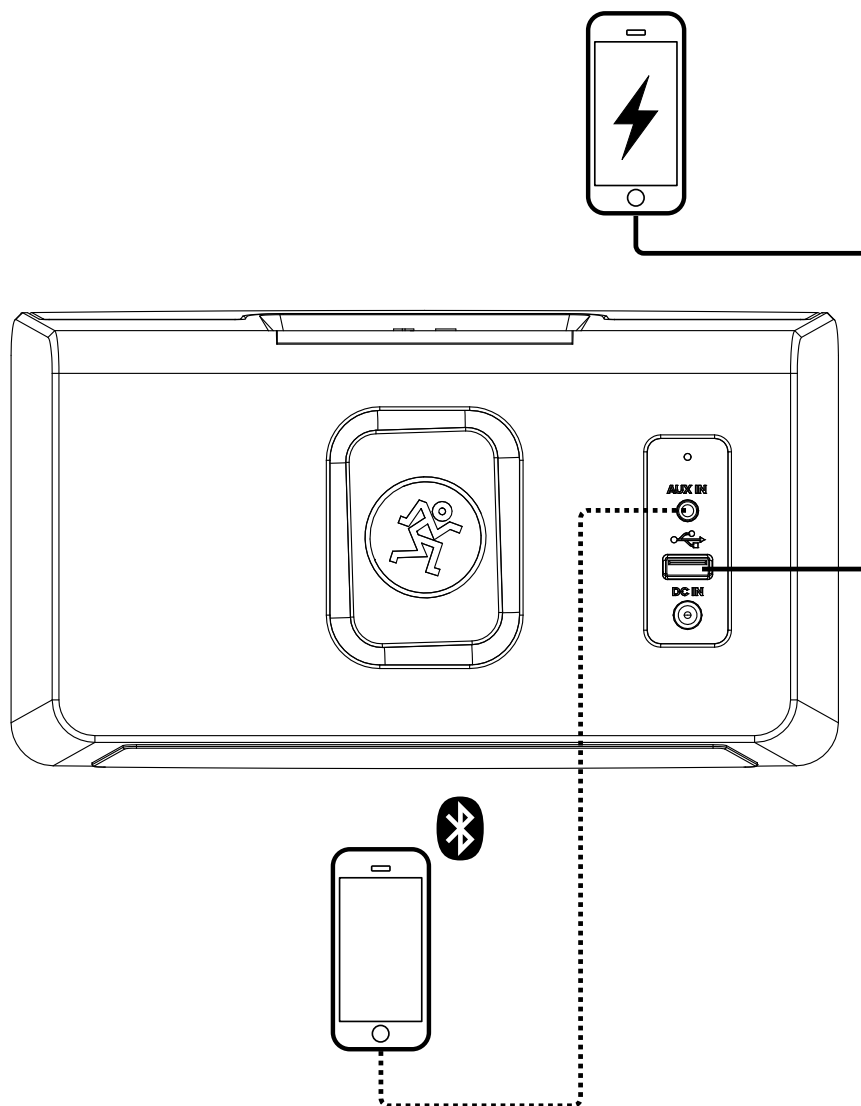
Setting up your FreePlay GO could not be any easier! The illustration shown above is simply the visual representation of what's described on the previous page under 'Getting Started'.

In this example, the device above the FreePlay GO is attached to the USB-A connector. It has no function other than to charge the device, as indicated by the charging – lightning bolt – symbol.

The device below the FreePlay GO, however, may be attached either wirelessly via Bluetooth or wired directly into the input jack using an 1/8" connector.

...and off you go! Read on for additional details.

Typical FreePlay GO Setup



Like the FreePlay GO, setting up your FreePlay HOME could not be any easier... they have similar features! The illustration shown above is simply the visual representation of what's described two pages ago under 'Getting Started'.

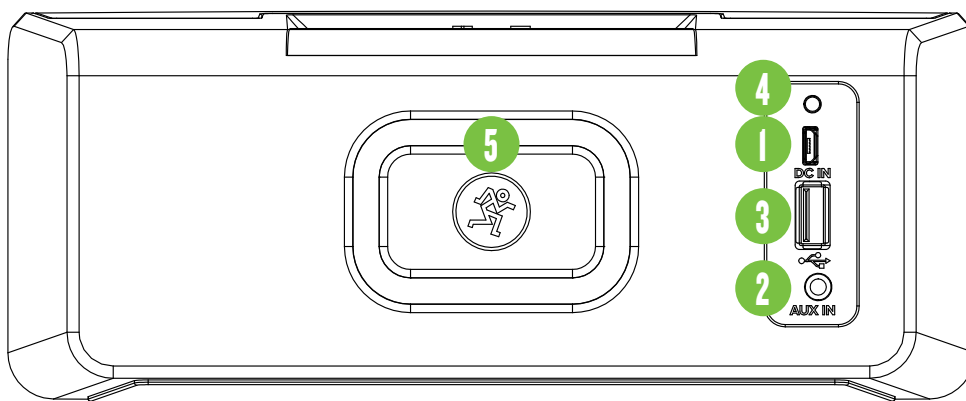
The device located above the FreePlay HOME is attached to the USB-A connector. It has no function other than to charge the device, as indicated by the charging – lightning bolt – symbol.

The device below the FreePlay HOME, on the other hand, may be attached either wirelessly via Bluetooth or wired directly into the input jack using an 1/8" connector.

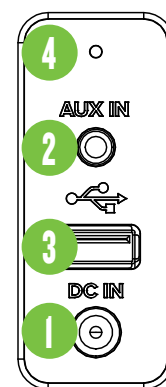
See, no difference?! ...and off you go! Read on for additional details.

Typical FreePlay HOME Setup

FreePlay GO and FreePlay HOME: Rear Panel Features



FreePlay GO Rear Panel



FreePlay HOME Rear Panel

FreePlay Connect App

FreePlay GO and FreePlay HOME may be used in conjunction with the FreePlay Connect App. With it, you are able to choose between stereo and zone mode, swap the L/R image when linked in stereo and view the battery's level.

More information about the FreePlay Connect App may be found by visiting the FreePlay Connect App Reference Guide.

1. Power Connector

FreePlay has a universal external power supply that accepts any AC voltage ranging from 100 VAC to 240 VAC. No need for voltage select switches. It will work virtually anywhere in the world. That's why we call it a "Planet Earth" power supply! It is less susceptible to voltage sags or spikes compared to conventional power supplies, and provides greater electromagnetic isolation and better protection against AC line noise.

The power connector between a FreePlay GO and FreePlay HOME vary slightly, so be sure to follow the instructions below based upon what model you are using:

FreePlay GO – Attach the USB-A connector end of the included cable to the power supply adapter. Attach the micro-USB connector to the FreePlay GO and plug the other end into a grounded AC outlet.

FreePlay HOME – Attach the AC connector to the power supply adapter by sliding the spring switch down. Line up the top corners (square) and bottom corners (round) and insert top side first. Release the spring switch to latch. Connect the power supply adapter to the FreePlay HOME and plug the other end into a grounded AC outlet.



Only use the factory-authorized power supply that came with the FreePlay.

2. Bluetooth / Aux Input

The Bluetooth / Aux input may accept an 1/8" line-level or Bluetooth [stereo audio streaming] signal from a smartphone, MP3 player, or other signal source. The level may be raised or lowered via FreePlay's + and – buttons on the top panel or FreePlay Connect.



The Bluetooth may disconnect when affected by Electrostatic Discharge [ESD]. Manually reconnect the Bluetooth connection.



NEVER connect the output of an amplifier directly to a FreePlay's input jack. This could damage the input circuitry.



A Bluetooth connection and 1/8" line-level connection may NOT be used simultaneously. If there is a physical connection to the aux input, it will take priority over any Bluetooth connection. For example, if you are playing a song from a smartphone (connected via Bluetooth) and connect an MP3 player to the 1/8" jack, the smartphone song will be interrupted and the MP3 player now takes precedence.

3. USB-A Port

Connect a smartphone or tablet to this port for charging.

4. Factory Reset Button

The FreePlay may be reset to its factory default by pushing this button using the tip of a paperclip. Please keep in mind that this erases all settings that may have been set.



You are also wiping the FreePlay's memory of previously paired devices. To remedy this, you will need to 'forget device' in the Bluetooth settings of the device, then re-pair in order to regain communication and functionality.

FreePlay GO and FreePlay HOME: Top Panel Features



5. Passive Radiator

The function of the passive radiator is to increase bass response. You can see it dancing with your music. There's another one behind the grille, so this is technically a dance duo.

6. Power Button

Press the power button to turn the FreePlay on. A cheerful startup sound will commence when turned on. Additionally, the LED located above the button will illuminate solid white after it goes through the internal setup. This should only take a few seconds.

Press and hold the power button to turn the FreePlay off. The hold is to prevent an unwanted shutdown. We have pesky kids who don't like our music, too! A descending shutdown sound will occur when turned off. As you might expect, the LED located above the button will also turn off.



When the battery life reaches three percent (3%), all LEDs will flash slowly until the FreePlay is either plugged in or loses all battery power. The shutdown sound will occur to indicate a dead battery. Plug the FreePlay in again to charge the battery and keep the music going!



There IS a way to check the battery level via FreePlay Connect. Please review the FreePlay Connect Reference Guide for directions.

7. Bluetooth Button

On initial startup, the LED located above the Bluetooth button will be slowly flashing white. Press and hold the Bluetooth button to select it. The LED will continue flashing white – but at a faster rate – when selected. This is to indicate that the FreePlay is in pairing mode.

While FreePlay is in pairing mode, simultaneously scan for Bluetooth devices on the smart phone or tablet. You should see FreePlay appear in the

“available devices” list. From there, the device should indicate that it is successfully connected. Once paired, the LED will illuminate solid white. If it does not, start the pairing process again, and make sure that FreePlay and device are both in pairing mode at the same time.



The Bluetooth may disconnect when affected by Electrostatic Discharge [ESD]. Manually reconnect the Bluetooth connection.

8. Level [+ and –] Buttons

Push the + button repeatedly to add extra meat and veggies to your hoagie. Conversely, pushing the – button repeatedly will lower the amount of meat and veggies added to the grinder.

And now that lunch is over, a moment of truth. The + and – buttons actually adjust the overall output level of the FreePlay from off to max.

9. Play / Pause Button

Press this transport button to play or pause the Bluetooth stream.



This is only for the Bluetooth stream. If signal is routed via the 1/8" input, it will continue to play until paused on the device.

10. Speaker Link Button

A really neat feature of the FreePlay is the ability to link it to an additional FreePlay. This way, you can either have a “stereo pair” in the same location or place one elsewhere to please guests in another room or outside (aka “zone mode”). It may link with any Mackie FreePlay model. Let's check out how to link them...

First, make sure that a device is connected to one of the two FreePlays.

Next, press and hold this button until the LED above the button starts flashing. This initiates speaker linking with the other FreePlay. A sound will confirm your command.

Now press and hold the speaker link button on the second FreePlay until the LED illuminates solid white. You will hear two sounds; one confirming your command and a second confirming success!

Simply press and hold the speaker link button on either FreePlay to disconnect.



The signal might cut out when linking. This is normal, as it allows the hardware to complete the linking process.

Appendix A: Service Information

If you think your FreePlay GO or FreePlay HOME has a problem, please check out the following troubleshooting tips and do your best to confirm the problem. Visit the Support section of our website (www.mackie.com/support) where you will find lots of useful information such as FAQs and other documentation. You may find the answer to the problem without having to part with your FreePlay.

Troubleshooting

No power

- Our favorite question: Is it plugged in? Make sure the included power adapter is securely fastened to both the FreePlay and AC outlet.
- Is the power LED on the top panel illuminated?
- Is the battery charged?

No sound

- Is the level of the input source turned all the way down? Verify that all the volume controls in the system are properly adjusted.
- Is the signal source working? Make sure the connecting cables are in good repair and securely connected at both ends. Make sure the output level control of the source is turned up sufficiently.

Poor sound

- Is it loud and distorted? Make sure that you're not overdriving a stage in the signal chain. Verify that all level controls are set properly.
- Is the input connector plugged completely into the jack? Be sure all connections are secure.

Noise

- Make sure all connections to the FreePlay are good and sound.
- Make sure none of the cables are routed near AC cables, power transformers, or other EMI-inducing devices.
- Is there a light dimmer or other SCR-based device on the same AC circuit as the FreePlay? Use an AC line filter or plug the FreePlay into a different AC circuit.

Bluetooth Issues

- Please email or call Technical Support if you are having Bluetooth connection issues:
 - o mackie.com/support-contact
 - o 1-800-898-3211

Repair

For warranty service, refer to the warranty information on page I2.

Non-warranty service is available at a factory-authorized service center. To locate the nearest service center, visit www.mackie.com/support/service-locator. Service for FreePlays living outside the United States may be obtained through local dealers or distributors.

If you do not have access to our website, please call our Tech Support department at 1-800-898-3211 (normal business hours, Pacific Time), to explain the problem. They will tell you where the nearest factory-authorized service center is located in your area.

Please write the serial numbers here for future reference (i.e., insurance claims, tech support, return authorization, make dad proud, etc.)

Purchased at:

Date of purchase:

Appendix B: Technical Information

FreePlay GO and FreePlay HOME Specifications

Acoustic Performance:

Frequency Response (-10 dB)	87 Hz – 20 kHz [FreePlay GO] 70 Hz – 20 kHz [FreePlay HOME]
Frequency Response (-3 dB)	120 Hz – 20 kHz [FreePlay GO] 75 Hz – 20 kHz [FreePlay HOME]

Driver Information

Driver Diameter	2.0 in / 51 mm [FreePlay GO] 2.5 in / 64 mm [FreePlay HOME]
Voice Coil Diameter	0.75 in / 19 mm [FreePlay GO] 1.0 in / 25 mm [FreePlay HOME]
Diaphragm Material	Treated Paper
Magnet Material	Ceramic

Power Amplifiers

System Power Amplification	
FreePlay GO Rated Power	20 watts rms / 40 watts peak
FreePlay HOME Rated Power	30 watts rms / 60 watts peak
Rated THD	<1%
Cooling	Convection
Design	Class D

Input

Input Type	Female 1/8" Stereo
Impedance	10 k Ω

Power

Power Requirements	100–240 VAC, 50/60 Hz, .45 Amps, 5 VDC, 2.1 Amps [FreePlay GO] 100–240 VAC, 50/60 Hz, 1.3 Amps, 15 VDC, 2.8 Amps [FreePlay HOME]
Operating Temperature [extended ambient temperature]	0 to 40 °C 32 to 104 °F

Safety Features

Limiting / Protection	Input and system limiting and amplifier thermal protection
-----------------------	---

Battery Information

Battery Type	Lithium Ion
Capacity	2600 mAh / 18.72 Wh [FreePlay GO] 2600 mAh / 28.08 Wh [FreePlay HOME]
Nominal Voltage	7.2 V DC [FreePlay GO] 10.8 V DC [FreePlay HOME]
Operating Temperature Range	-20 to 60 °C
Charging Temperature Range	0 to 40 °C

Bluetooth Information

Bluetooth Protocol	4.2
Bluetooth Function	Audio Streaming and User Interface Control

Physical Properties

FreePlay GO:	
Height:	3.3 in / 84 mm
Width:	8.3 in / 211 mm
Depth:	3.0 in / 76 mm
Weight:	1.8 lb / 0.8 kg
FreePlay HOME:	
Height:	5.3 in / 135 mm
Width:	9.5 in / 241 mm
Depth:	4.0 in / 102 mm
Weight:	4.0 lb / 1.8 kg

Disclaimer

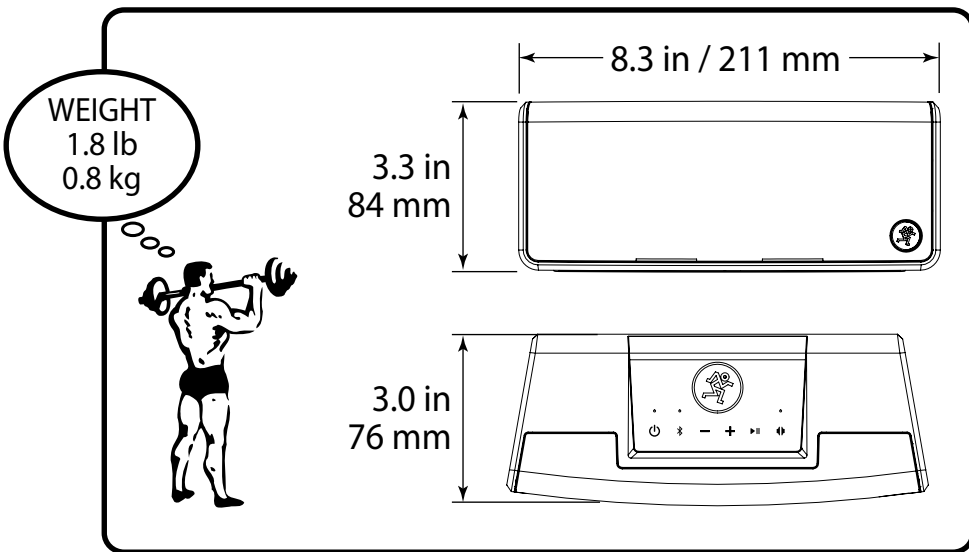
Since we are always striving to make our products better by incorporating new and improved materials, components, and manufacturing methods, we reserve the right to change these specifications at any time without notice.

The "Running Man" figure is a registered trademark of LOUD Audio, LLC.

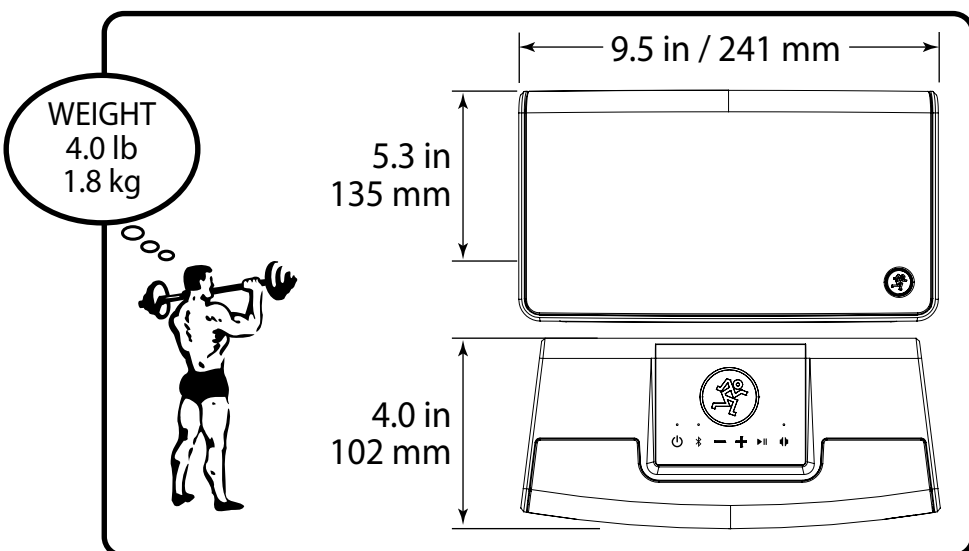
All other brand names mentioned are trademarks or registered trademarks of their respective holders, and are hereby acknowledged.

©2018 LOUD Audio, LLC
All Rights Reserved.

FreePlay GO Dimensions



FreePlay HOME Dimensions



Limited Warranty

Please keep your sales receipt in a safe place.

This Limited Product Warranty (“Product Warranty”) is provided by LOUD Audio, LLC (“LOUD”) and is applicable to products purchased in the United States or Canada through a LOUD-authorized reseller or dealer. The Product Warranty will not extend to anyone other than the original purchaser of the product (hereinafter, “Customer,” “you” or “your”).

For products purchased outside the U.S. or Canada, please visit www.mackie.com to find contact information for your local distributor, and information on any warranty coverage provided by the distributor in your local market.

LOUD warrants to Customer that the product will be free from defects in materials and workmanship under normal use during the Warranty Period. If the product fails to conform to the warranty then LOUD or its authorized service representative will at its option, either repair or replace any such nonconforming product, provided that Customer gives notice of the noncompliance within the Warranty Period to the Company at: www.mackie.com or by calling LOUD technical support at 1.800.898.3211 (toll-free in the U.S. and Canada) during normal business hours Pacific Time, excluding weekends or LOUD holidays. Please retain the original dated sales receipt as evidence of the date of purchase. You will need it to obtain any warranty service.

For full terms and conditions, as well as the specific duration of the Warranty for this product, please visit www.mackie.com.

The Product Warranty, together with your invoice or receipt, and the terms and conditions located at www.mackie.com constitutes the entire agreement, and supersedes any and all prior agreements between LOUD and Customer related to the subject matter hereof. No amendment, modification or waiver of any of the provisions of this Product Warranty will be valid unless set forth in a written instrument signed by the party to be bound thereby.

Need help with the FreePlay GO or FreePlay HOME?

- Visit www.mackie.com/support to find: FAQs, manuals, addendums, and other documents.
- Email us at: www.mackie.com/support-contact
- Telephone 1-800-898-3211 to speak with one of our splendid technical support chaps (Monday through Friday, normal business hours, Pacific Time).



**16220 Wood-Red Road NE
Woodinville, WA 98072 • USA
Phone: 425.487.4333
Toll-free: 800.898.3211
Fax: 425.487.4337
www.mackie.com**
