



  
STAIRVILLE

Tri Flat PAR Profile  
5x3W RGB 25°, 45°

LED PAR

Musikhaus Thomann  
Thomann GmbH  
Hans-Thomann-Straße 1  
96138 Burgebrach  
Germany  
Telephone: +49 (0) 9546 9223-0  
E-mail: [info@thomann.de](mailto:info@thomann.de)  
Internet: [www.thomann.de](http://www.thomann.de)

14.01.2020, ID: 309298, 414495 (V4)

# Table of contents

<b>1</b>	<b>General information</b> .....	<b>5</b>
	1.1 Further information.....	6
	1.2 Notational conventions.....	7
	1.3 Symbols and signal words.....	7
<b>2</b>	<b>Safety instructions</b> .....	<b>10</b>
<b>3</b>	<b>Features</b> .....	<b>16</b>
<b>4</b>	<b>Installation</b> .....	<b>17</b>
<b>5</b>	<b>Starting up</b> .....	<b>22</b>
<b>6</b>	<b>Connections and controls</b> .....	<b>25</b>
<b>7</b>	<b>Operating</b> .....	<b>36</b>
	7.1 Starting the device.....	36
	7.2 Operating the device directly.....	36
	7.3 Menu overview.....	42
	7.4 Remote control.....	43
	7.5 Functions in 3-channel DMX mode.....	46

7.6	Functions in 5-channel DMX mode.....	46
7.7	Functions in 7-channel DMX mode.....	47
<b>8</b>	<b>Technical specifications.....</b>	<b>50</b>
<b>9</b>	<b>Plug and connection assignments.....</b>	<b>53</b>
<b>10</b>	<b>Troubleshooting.....</b>	<b>54</b>
<b>11</b>	<b>Cleaning.....</b>	<b>57</b>
<b>12</b>	<b>Protecting the environment.....</b>	<b>58</b>

# 1 General information

This user manual contains important information on the safe operation of the device. Read and follow all safety notes and all instructions. Save this manual for future reference. Make sure that it is available to all persons using this device. If you sell the device to another user, be sure that they also receive this manual.

Our products and user manuals are subject to a process of continuous development. We therefore reserve the right to make changes without notice. Please refer to the latest version of the user manual which is ready for download under [www.thomann.de](http://www.thomann.de).

## 1.1 Further information

On our website ([www.thomann.de](http://www.thomann.de)) you will find lots of further information and details on the following points:

Download	This manual is also available as PDF file for you to download.
Keyword search	Use the search function in the electronic version to find the topics of interest for you quickly.
Online guides	Our online guides provide detailed information on technical basics and terms.
Personal consultation	For personal consultation please contact our technical hotline.
Service	If you have any problems with the device the customer service will gladly assist you.

## 1.2 Notational conventions

This manual uses the following notational conventions:

### Letterings

The letterings for connectors and controls are marked by square brackets and italics.

**Examples:** *[VOLUME]* control, *[Mono]* button.



### Displays

Texts and values displayed on the device are marked by quotation marks and italics.



**Examples:** *'24ch'*, *'OFF'*.

## 1.3 Symbols and signal words

In this section you will find an overview of the meaning of symbols and signal words that are used in this manual.

Signal word	Meaning
<b>DANGER!</b>	This combination of symbol and signal word indicates an immediate dangerous situation that will result in death or serious injury if it is not avoided.
<b>WARNING!</b>	This combination of symbol and signal word indicates a possible dangerous situation that can result in death or serious injury if it is not avoided.
<b>NOTICE!</b>	This combination of symbol and signal word indicates a possible dangerous situation that can result in material and environmental damage if it is not avoided.
Warning signs	Type of danger
	Warning – high-voltage.
	Warning – dangerous optical radiation.



Warning signs	Type of danger
	Warning – suspended load.
	Warning – danger zone.

## 2 Safety instructions

### **Intended use**

This device is intended for use as an electronic lighting effect by means of LED technology. The device is designed for professional use and is not suitable for use in households. Use the device only as described in this user manual. Any other use or use under other operating conditions is considered to be improper and may result in personal injury or property damage. No liability will be assumed for damages resulting from improper use.

This device may be used only by persons with sufficient physical, sensorial, and intellectual abilities and having corresponding knowledge and experience. Other persons may use this device only if they are supervised or instructed by a person who is responsible for their safety.

Extend the life of the device by regular breaks in operation and avoid switching it on and off frequently. This device is not suitable for continuous use.

**Safety**



**DANGER!**

**Danger for children**

Ensure that plastic bags, packaging, etc. are disposed of properly and are not within reach of babies and young children. Choking hazard!

Ensure that children do not detach any small parts (e.g. knobs or the like) from the unit. They could swallow the pieces and choke!

Never let children unattended use electrical devices.



**DANGER!**

**Electric shock caused by high voltages inside**

Within the device there are areas where high voltages may be present. Never remove any covers.

There are no user-serviceable parts inside.

Do not use the device if covers, protectors or optical components are missing or damaged.



### **DANGER!**

#### **Electric shock caused by short-circuit**

Always use proper ready-made insulated mains cabling (power cord) with a protective contact plug. Do not modify the mains cable or the plug. Failure to do so could result in electric shock/death or fire. If in doubt, seek advice from a registered electrician.



### **WARNING!**

#### **Eye damage caused by high light intensity**

Never look directly into the light source.



### **WARNING!**

#### **Risk of epileptic shock**

Strobe lighting can trigger seizures in photosensitive epilepsy. Sensitive persons should avoid looking at strobe lights.



**NOTICE!**

**Risk of fire**

Do not block areas of ventilation. Do not install the device near any direct heat source. Keep the device away from naked flames.



### **NOTICE!**

#### **Operating conditions**

This device has been designed for indoor use only. To prevent damage, never expose the device to any liquid or moisture. Avoid direct sunlight, heavy dirt, and strong vibrations.

Only operate the device within the ambient conditions specified in the chapter 'Technical specifications' of this user manual. Avoid heavy temperature fluctuations and do not switch the device on immediately after it was exposed to temperature fluctuations (for example after transport at low outside temperatures).

Dust and dirt inside can damage the unit. When operated in harmful ambient conditions (dust, smoke, nicotine, fog, etc.), the unit should be maintained by qualified service personnel at regular intervals to prevent overheating and other malfunction.



**NOTICE!**

**Power supply**

Before connecting the device, ensure that the input voltage (AC outlet) matches the voltage rating of the device and that the AC outlet is protected by a residual current circuit breaker. Failure to do so could result in damage to the device and possibly injure the user.

Unplug the device before electrical storms occur and when it is unused for long periods of time to reduce the risk of electric shock or fire.



**NOTICE!**

**Possible damage due to installation of a wrong fuse**

The use of different types of fuses can cause serious damage to the unit. Fire hazard!

Only fuses of the same type may be used.

### 3 Features

The LED PAR is particularly suitable for professional lighting tasks, for example at events, on rock stages, in theatres and musicals. It's characterized by low power consumption and long service life.

Special features of the device:

- Five three-colour LEDs (red, green, blue), 3 W each
- Control via DMX (three different modes), with the supplied infrared remote control or the buttons and display on the unit
- Eleven preprogrammed automatic shows
- Sound control
- Master / Slave mode
- Robust metal housing

For technological reasons, the light output of LEDs decreases over their lifetime. This effect increases with higher operating temperature. You can extend the service life of the illuminants by providing adequate ventilation and operating the LEDs with the lowest possible brightness.



## 4 Installation

Unpack and check carefully there is no transportation damage before using the unit. Keep the equipment packaging. To fully protect the product against vibration, dust and moisture during transportation or storage use the original packaging or your own packaging material suitable for transport or storage, respectively.



### **WARNING!**

#### **Risk of injury caused by falling objects**

Make sure that the installation complies with the standards and rules that apply in your country. Always secure the device with a secondary safety attachment, such as a safety cable or a safety chain.



### **NOTICE!**

#### **Risk of overheating**

The distance between light output and the illuminated surface must be more than 1.5 m (19.7in).

Provide sufficient ventilation.

The ambient temperature must always be below 40 °C (104 °F).



### **NOTICE!**

#### **Use of stands**

When mounting the device onto a stand, ensure that the stand is in a safe and stable position and that the weight of the device does not exceed the maximum permissible load capacity of the stand.

**NOTICE!****Possible data transmission errors**

For error-free operation make use of dedicated DMX cables and do not use ordinary microphone cables.

Never connect the DMX input or output to audio devices such as mixers or amplifiers.



*Please note that this device must not be connected to a dimmer.*

**Mounting options**

You can install the unit in hanging or standing position. When in use, the device must always be attached to a solid surface or an approved truss. Use the openings provided on the two-piece bracket for attaching.

Always work from a stable platform whenever installing, moving or servicing the unit. In doing so, the area underneath the unit must be cordoned off.

The safety cable must be attached to the bracket.

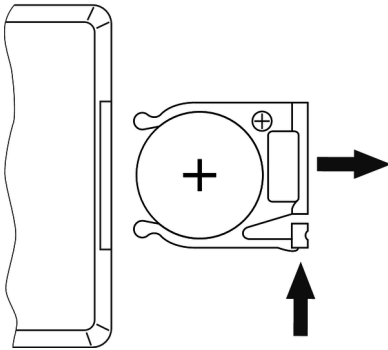
### **Infrared sensor for the remote control**

The infrared receiver is located near the main LED on the front panel of the device. Make sure that it is not obstructed.

### Inserting the battery into the remote control

Press the lock of the battery holder to the centre of the housing and pull out the battery holder like a drawer. Insert the battery. The battery is correct if the positive pole points to the housing base of the remote control. Slide the battery holder back into the remote until it clicks into place.

When shipping, the battery is already installed in the remote and protected against discharge by a transparent plastic foil. Remove the plastic foil prior to first use.

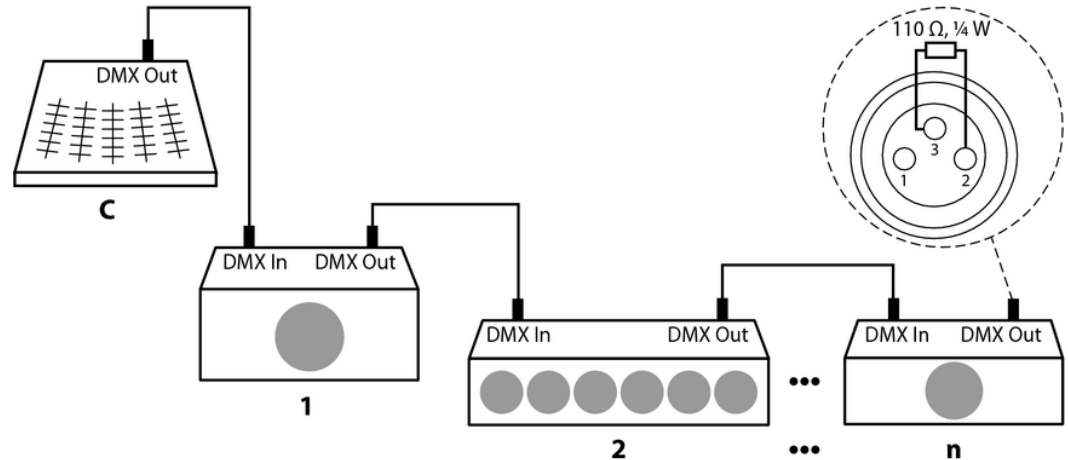


## 5 Starting up

Create all connections while the device is off. Use the shortest possible high-quality cables for all connections. Take care when running the cables to prevent tripping hazards.

**Connections in DMX mode**

Connect the DMX input of the device to the DMX output of a DMX controller or another DMX device. Connect the output of the first DMX device to the input of the second one, and so on to form a daisy chain. Always ensure that the output of the last DMX device in the daisy chain is terminated with a resistor ( $110\ \Omega$ ,  $\frac{1}{4}\text{ W}$ ).



### **DMX indicator**

If the unit is in DMX mode and a DMX controller is connected and turned on, the 'd' is flashing in the first digit of the display.

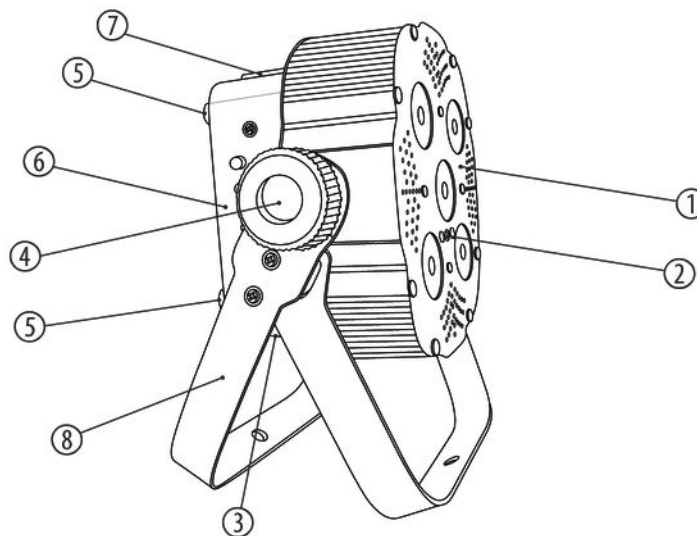
### **Connections in master/slave mode**

When you configure a group of devices in master/slave mode, the first unit will control the other units for an automatic, sound-activated, synchronized show. This function is ideal when you want to start a show immediately. Connect the DMX output of the master device to the DMX input of the first slave device. Then connect the DMX output of the first slave device to the DMX input of the second slave device and so on.



## 6 Connections and controls

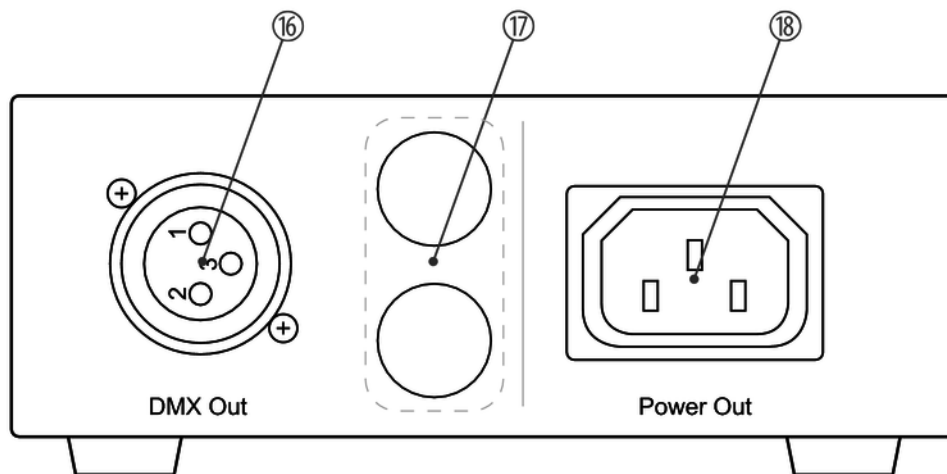
### Overview



Tri Flat PAR Profile 5x3W RGB 25°, 45°

1	Front panel
2	Infrared receiver for the IR remote control signal.
3	Bottom side with inputs (DMX and power supply).
4	Locking screws for the mounting brackets.
5	Rubber feet for floor placement.
6	Lateral controls.
7	Top side and outputs (DMX and power supply to other devices).
8	Mounting brackets for floor placement or hanging.

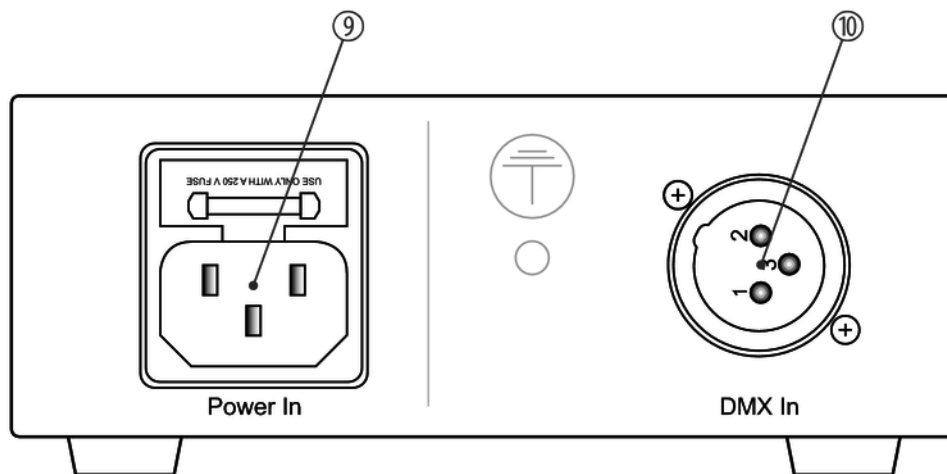
Top side



Tri Flat PAR Profile 5x3W RGB 25°, 45°

16	<i>[DMX Out]</i> DMX output.
17	Notches for safety rope.
18	<i>[POWER Out]</i> IEC chassis socket for the power supply cable to the next unit.

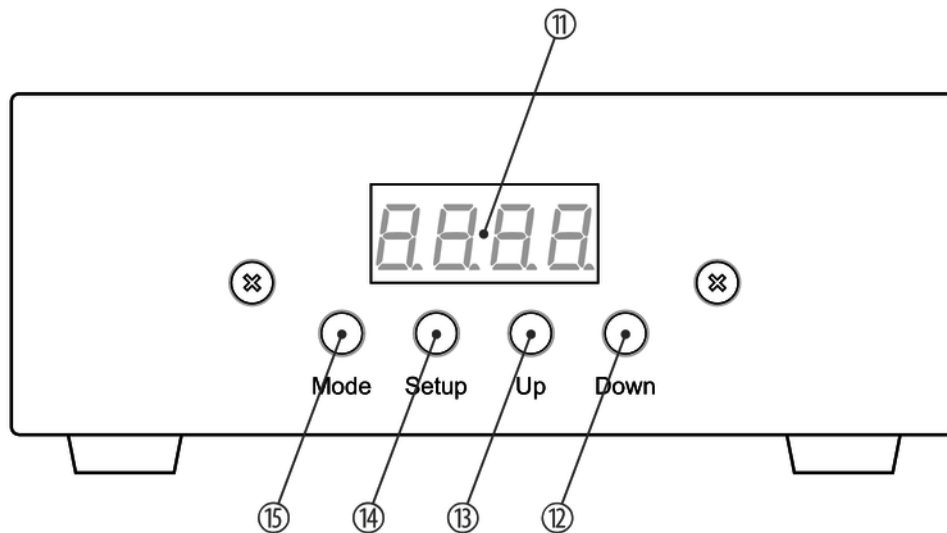
## Bottom



Tri Flat PAR Profile 5x3W RGB 25°, 45°

9	<i>[POWER In]</i> IEC chassis plug for operating voltage supply with fuse holder.
10	<i>[DMX In]</i> DMX input.

**Lateral controls**

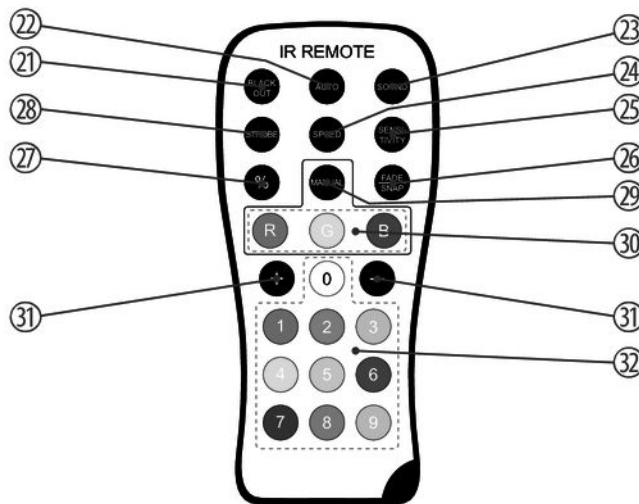


Tri Flat PAR Profile 5x3W RGB 25°, 45°

11	Display.
12	Button [ <i>Down</i> ] Navigates downwards in a menu list. Decrements the displayed value by one.
13	Button [ <i>Up</i> ] Navigates upwards in a menu list. Increments the displayed value by one.
14	Button [ <i>Setup</i> ] Chooses between the options of the selected mode.
15	Button [ <i>Mode</i> ] Activates the main menu and moves between menu items.



Remote control



Tri Flat PAR Profile 5x3W RGB 25°, 45°

21	<i>[BLACK OUT]</i> Enables or disables blackout.
22	<i>[AUTO]</i> Enables or disables auto mode.
23	<i>[SOUND]</i> Starts the sound-controlled automatic show.
24	<i>[SPEED]</i> Allows setting the speed for the flash light function using the <i>[+]</i> and <i>[-]</i> buttons.
25	<i>[SENSITIVITY]</i> Allows setting the sensitivity for the sound control using the <i>[+]</i> and <i>[-]</i> buttons.
26	<i>[FADE / SNAP]</i> No function.
27	<i>[%]</i> Resets the displayed value to zero during value setting (flash light speed, sound control sensitivity).

28	<i>[STROBE]</i> Enables or disables the flash light function (strobe effect) with the last selected colour.
29	<i>[MANUAL]</i> Activates the display of a constant colour that you can either mix from the basic colours using the buttons <i>[R]</i> , <i>[G]</i> and <i>[B]</i> , or select directly with one of the colour buttons.
30	<i>[R]</i> , <i>[G]</i> , <i>[B]</i> Sets the intensity of the three basic colours red, green and blue when displaying a constant colour.
31	<i>[+]</i> , <i>[-]</i> Increases or decreases the set value.
32	Direct selection button for mixed colours.

## 7 Operating

### 7.1 Starting the device

Connect the device to the power supply to start operation. After a few seconds, the display indicates that a reset is in progress. The device is then ready for use.

### 7.2 Operating the device directly

Press *[Mode]* to activate the main menu and select an operating mode. Use *[Setup]* to select further options. Use *[Up]* and *[Down]* to change the respectively displayed value. When the display shows the desired value, press *[Mode]*.

If you don't press any button for about ten seconds the display turns off. It will be reactivated to display the previously shown menu by pressing any button.

The set values are retained even when the device is disconnected from the mains power supply.

## Operating mode 'Preprogrammed automatic show'

A preprogrammed automatic show can only be activated when the unit is working alone or as Master in a Master / Slave combination. This setting is only relevant when the unit is not DMX-controlled.

Press *[Mode]* repeatedly until the display shows 'Pr.xx'. Now you can select one of the preprogrammed automatic shows. Use *[Up]* and *[Down]* to select a value between 'Pr.01' and 'Pr.09'.

### Settings for programme 01:

For 'Pr.01', you can choose from 10 predefined colours or blackout. Press *[Setup]*. Use *[Up]* and *[Down]* to select one of the colours (display shows '1.\_\_r' to '09.on') or blackout (display shows '0.OFF').

To adjust the strobe frequency, press *[Setup]* again. The display shows 'FS.xx'. Now use *[Up]* and *[Down]* to select a value between 'FS.00' (slow) and 'FS.99' (fast).

### Settings for programme 02 to 09:

To set the programme speed, press *[Setup]* again. The display shows 'SP.xx'. Now use *[Up]* and *[Down]* to select a value between 'SP.01' (slow) and 'SP.FL' (fast).

To adjust the strobe frequency, press *[Setup]* again. The display shows 'FS.xx'. Now use *[Up]* and *[Down]* to select a value between 'FS.00' (slow) and 'FS.99' (fast).

### **Operating mode 'Automatic'**

This operating mode can only be activated when the unit is working alone or as Master in a Master / Slave combination. This setting is only relevant when the unit is not DMX-controlled.

Press *[Mode]* repeatedly until the display shows 'AUTO'. The playback of the built-in automatic programme starts automatically.

## DMX-Modus

This setting is only relevant when the unit is DMX-controlled.

Press *[Mode]* repeatedly until the display shows 'd.xxx'.

Now you can set the number of the first DMX channel to be used by the device (DMX address). Use *[Up]* and *[Down]* to select a value between 1 and 512 (display shows 'd.001' ... 'd.512').

Make sure that this number matches the configuration of your DMX controller. The following table shows the highest possible DMX address for the various DMX modes.

Mode	Highest possible DMX address
3-channel	510
5-channel	508
7-channel	506

Press *[Setup]*. Now use *[Up]* and *[Down]* to select one of the following DMX operating modes:

- '3-ch' (three channels)
- '5-ch' (five channels)
- '7-ch' (seven channels)

### **Operating mode 'Slave'**

This setting is only relevant when the unit is working as Slave in a Master / Slave combination and is not DMX-controlled.

Press *[Mode]* repeatedly until the display shows 'SLAV'.

### **Sound control**

The sound-controlled automatic show can only be activated when the unit is working alone or as Master in a Master / Slave combination. This setting is only relevant when the unit is not DMX-controlled.

Press *[Mode]* repeatedly until the display shows 'SOud'. This activates the sound-controlled automatic show.

Press *[Setup]* and use *[Up]* and *[Down]* to adjust the sensitivity for the sound control in a range from 'SV.00' to 'SV.31'.



## Constant colour

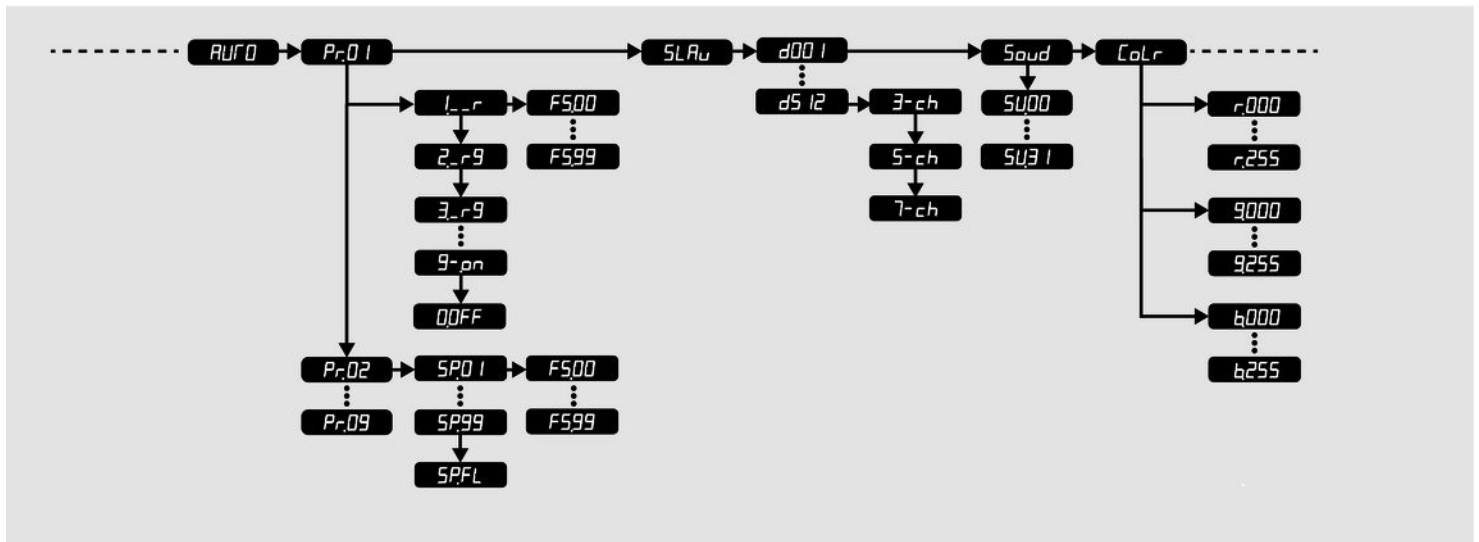
A constant colour can only be activated when the unit is working alone or as Master in a Master / Slave combination. This setting is only relevant when the unit is not DMX-controlled.

Press *[Mode]* repeatedly until the display shows 'Colr'. Press *[Setup]*. The display shows the setting for one of the basic colours (display shows 'r.xxx', 'G.xxx' or 'b.xxx'). Press *[Setup]* to toggle between colours.

Use *[Up]* and *[Down]* to adjust the colour intensity:

Display	Description
'r.000' ... 'r.255'	Red
'G.000' ... 'G.255'	Green
'b.000' ... 'b.255'	Blue

### 7.3 Menu overview



## 7.4 Remote control

### Operating mode 'Preprogrammed automatic show'

A preprogrammed automatic show can only be activated when the unit is operating alone or as master in a master-slave combination. This setting is only relevant if the device is not controlled via DMX.

Press *[MANUAL]*. The display shows 'Pr.xx'. Now you can select one of the preprogrammed automatic shows. Use *[+]* and *[-]* to select a value between 'Pr.01' and 'Pr.09'.

Press *[SPEED]* to adjust the programme speed. The display shows 'SP.xx'. Use *[%]*, *[+]* and *[-]* to select a value between 'SP.01' (slow) and 'SP.FL' (fast).

Press *[STROBE]* to set the flash frequency. The display shows 'FS.xx'. Use *[%]*, *[+]* and *[-]* to select a value between 'FS.00' (slow) and 'FS.99' (fast).

### Operating mode 'Automatic'

The automatic mode can only be activated when the unit is operating alone or as master in a master-slave combination. This setting is only relevant if the device is not controlled via DMX.

Press *[AUTO]*. The display shows 'AUTO', the playback of the built-in automatic programme starts automatically.

### **Sound control**

The sound-controlled automatic show can only be activated when the unit is operating alone or as master in a master-slave combination. This setting is only relevant if the device is not controlled via DMX.

Press [*SOUND*]. The display shows '*SUxx*', the sound-controlled automatic show is activated.

Use [*%*], [*+*] and [*-*] to set the sensitivity for the sound control in a range between '*SV.00*' and '*SV.31*'.

## Constant colour

A constant colour can only be activated when the unit is operating alone or as master in a master-slave combination. This setting is only relevant if the device is not controlled via DMX.

Press *[MANUAL]*. Now you can either call up a predefined colour directly with one of the coloured buttons, or mix a colour individually from the basic colours.

Press *[R]*, *[G]* or *[B]* to mix a colour individually from the basic colours. The display shows 'r.xxx', 'G.xxx' or 'b.xxx'.

Use *[%]*, *[+]* and *[-]* to set the colour intensity:

Display	Description
'r.000' ... 'r.255'	Red
'G.000' ... 'G.255'	Green
'b.000' ... 'b.255'	Blue

## Blackout

Press *[BLACKOUT]* to switch the LEDs off or on again. Then the unit continues to operate in the last selected operating mode.

The Blackout function is only available when the unit is not controlled via DMX.

## 7.5 Functions in 3-channel DMX mode

Channel	Value	Function
1	0 ... 255	Intensity Red (0 % to 100 %)
2	0 ... 255	Intensity Green (0 % to 100 %)
3	0 ... 255	Intensity Blue (0 % to 100 %)

## 7.6 Functions in 5-channel DMX mode

Channel	Value	Function
1	0 ... 255	Intensity Red (0 % to 100 %)
2	0 ... 255	Intensity Green (0 % to 100 %)
3	0 ... 255	Intensity Blue (0 % to 100 %)

Channel	Value	Function
4	0 ... 255	Dimmer (0 % to 100 %)
5	0 ... 255	Strobe effect, increasing speed

## 7.7 Functions in 7-channel DMX mode

Channel	Value	Function
1	0...255	Dimmer (0 % to 100 %)
2	0...255	Intensity red (0 % to 100 %), when channel 5 = 0
3	0...255	Intensity green (0 % to 100 %), when channel 5 = 0
4	0...255	Intensity blue (0 % to 100 %), when channel 5 = 0
5	Operating mode	
	0	Manual mode; colours can be adjusted via channels 2 to 4

Channel	Value	Function
	1...27	Preprogrammed automatic show no. 1
	28...55	Preprogrammed automatic show no. 2
	56...83	Preprogrammed automatic show no. 3
	84...111	Preprogrammed automatic show no. 4
	112...139	Preprogrammed automatic show no. 5
	140...167	Preprogrammed automatic show no. 6
	168...195	Preprogrammed automatic show no. 7
	196...223	Preprogrammed automatic show no. 8
	224...251	Preprogrammed automatic show no. 9
	252...255	Sound-controlled show
6	Constant colour, when channel 5 = 1...24:	
	0...27	Dark
	28...55	Red



Channel	Value	Function	
	56...83	Orange	
	84...111	Yellow	
	112...139	Light green	
	140...167	Light blue	
	168...195	Blue	
	196...223	Purple	
	224...251	Pink	
	252...255	Red + green + blue	
	Progress speed, when channel 5 = 25...255:		
	0...255	Increasing speed	
7	0...255	Strobe effect, increasing speed	

## 8 Technical specifications

		Item no. 309298	Item no. 414495
Light source		5 × 3in1 RGB, 3 W each	
Optical properties	Beam angle	25°	45°
Control		DMX	
		IR remote control	
Number of DMX channels		3, 5, 7	
Input connections	Voltage supply	IEC chassis plug C14	
	DMX control	XLR chassis socket, 3-pin	
Output connections	Voltage supply	IEC chassis plug C13	
	DMX control	XLR chassis socket, 3-pin	
Power consumption		15 W	
Supply voltage		100 – 240 V ~ 50/60 Hz	

		<b>Item no. 309298</b>	<b>Item no. 414495</b>
Fuse		5 mm × 20 mm, 1 A, 250 V, slow-blow	
Battery remote control	Battery type	Lithium button cell, 3 V, CR 2025	
Degree of protection		IP20	
Mounting options		Hanging, standing	
Dimensions (W × H × D)		165 mm × 165 mm × 105 mm (without bracket)	
Weight		2.1 kg	
Ambient conditions	Temperature range	0 °C...40 °C	
	Relative humidity	50 %, non condensing	

### Further information

	<b>Item no. 309298</b>	<b>Item no. 414495</b>
Design	Flat PAR	Flat PAR
Colour mixture	RGB	RGB
LED type	x-in-1	x-in-1
Base housing	Yes	Yes
Fanless	Yes	Yes
Wireless DMX	No	No
Housing colour	Black	Black

# 9 Plug and connection assignments

## Introduction

This chapter will help you select the right cables and plugs to connect your valuable equipment so that a perfect light experience is guaranteed.

Please take our tips, because especially in 'Sound & Light' caution is indicated: Even if a plug fits into a socket, the result of an incorrect connection may be a destroyed DMX controller, a short circuit or 'just' a not working light show!

## DMX connections



The unit offers a 3-pin XLR socket for DMX output and a 3-pin XLR plug for DMX input. Please refer to the drawing and table below for the pin assignment of a suitable XLR plug.

Pin	Configuration
1	Ground, shielding
2	Signal inverted (DMX-, 'cold signal')
3	Signal (DMX+, 'hot signal')

## 10 Troubleshooting



### **NOTICE!**

#### **Possible data transmission errors**

For error-free operation make use of dedicated DMX cables and do not use ordinary microphone cables.

Never connect the DMX input or output to audio devices such as mixers or amplifiers.

In the following we list a few common problems that may occur during operation. We give you some suggestions for easy troubleshooting:

Symptom	Remedy
The unit does not work, no light.	Check the mains connection and the main fuse.
No response to the DMX controller.	<ol style="list-style-type: none"> <li data-bbox="879 290 1524 456">1. If the unit is in DMX mode and a DMX controller is connected and turned on, the 'd' flashes in the first position of the display. If not, no valid DMX signal is received. Check that the DMX controller is switched on. Check the DMX connectors and cables for proper connection.</li> <li data-bbox="879 456 1524 527">2. If the display is not flashing and there is still no response, check the address settings and DMX polarity.</li> <li data-bbox="879 527 1524 586">3. Try using another DMX controller.</li> <li data-bbox="879 586 1524 692">4. Check to see if the DMX cables run near or alongside to high voltage cables that may cause damage or interference to DMX interface circuits.</li> </ol>
No response to the remote control	<ol style="list-style-type: none"> <li data-bbox="879 692 1524 770">1. Try the remote control at a different angle to the receiver on the front of the device.</li> <li data-bbox="879 770 1524 818">2. Move the remote control closer to the unit.</li> <li data-bbox="879 818 1524 862">3. Check the remote control battery.</li> </ol>

If the procedures recommended above do not succeed, please contact our Service Center. You can find the contact information at [www.thomann.de](http://www.thomann.de).



## 11 Cleaning

### Optical lenses

Clean the optical lenses, that are accessible from the outside, regularly in order to optimize the light output. The frequency of cleaning depends on the operating environment: wet, smoky or particularly dirty surroundings can cause more accumulation of dirt on the optics of the device.

- Clean with a soft cloth using our lamp and lens cleaner (item no. 280122).
- Always dry the parts carefully.

### Fan grids

The fan grids of the device must be cleaned of any contamination, such as dust, etc. on a regular basis. Before cleaning, switch off the device and disconnect mains-operated devices from the mains. Only use pH-neutral, solvent-free and non-abrasive cleaning agents. Clean the unit with a slightly damp lint-free cloth.

## 12 Protecting the environment

### Disposal of the packaging material



For the transport and protective packaging, environmentally friendly materials have been chosen that can be supplied to normal recycling.

Ensure that plastic bags, packaging, etc. are properly disposed of.

Do not just dispose these materials with your normal household waste, but make sure that they are fed to a recovery. Please follow the notes and markings on the packaging.

### Disposal of batteries



Batteries must not be disposed of as domestic waste or thrown into fire. Dispose of the batteries according to national or local regulations regarding hazardous waste. To protect the environment, dispose of empty batteries at your retail store or at appropriate collection sites.

### Disposal of your old device



This product is subject to the European Waste Electrical and Electronic Equipment Directive (WEEE) in its currently valid version. Do not dispose with your normal household waste.

Dispose this device through an approved waste disposal firm or through your local waste facility. When discarding the device, comply with the rules and regulations that apply in your country. If in doubt, consult your local waste disposal facility.



Tri Flat PAR Profile 5x3W RGB 25°, 45°





Musikhaus Thomann · Hans-Thomann-Straße 1 · 96138 Burgebrach · Germany · [www.thomann.de](http://www.thomann.de)