

PREMIUM PR:0

PR:0 10 XD • PR:0 12 D • PR:0 12 XD • PR:0 15 D • PR:0 15 XD
PR:0 18 SUB A • PR:0 210 SUB A

Manual 1.0

Important Safety Instructions! Read before connecting!

This product has been built by the manufacturer in accordance with IEC 60065 and left the factory in safe working order. To maintain this condition and ensure non-risk operation, the user must follow the advice and warning comments found in the operating instructions. If this product shall be used in vehicles, ships or aircraft or at altitudes exceeding 2000 m above sea level, take care of the relevant safety regulations which may exceed the IEC 60065 requirements.

WARNING: To prevent the risk of fire and shock hazard, do not expose this appliance to moisture or rain. Do not open case – no user serviceable parts inside. Refer service to qualified service personnel.



This symbol, wherever it appears, alerts you to the presence of uninsulated dangerous voltage inside the enclosure – voltage that may be sufficient to constitute a risk of shock.



This symbol, wherever it appears, alerts you to the presence of externally accessible hazardous voltage. External wiring connected to any terminal marked with this symbol must be a "ready made cable" complying with the manufacturers recommendations, or must be a wiring installed by instructed persons only.



This symbol, wherever it appears, alerts you to important operating and maintenance instructions in the accompanying literature. Read the manual.



This symbol, wherever it appears, tells you: Take care! Hot surface! To prevent burns you must not touch.

- Read these instructions.
- Keep these instructions.
- Follow all warnings and instructions marked on the product and in this manual.
- Do not use this product near water. Do not place the product near water, baths, wash basins, kitchen sinks, wet areas, swimming pools or damp rooms.
- Do not place objects containing liquid on the product – vases, glasses, bottles etc.
- Clean only with dry cloth.
- Do not remove any covers or sections of the housing.
- The set operating voltage of the product must match the local mains supply voltage. If you are not sure of the type of power available consult your dealer or local power company.
- Before connecting the device, please ensure that the mains supply you are using is equipped with adequate protection against short circuiting and grounding faults when the device is plugged in.
- To reduce the risk of electrical shock, the grounding of this product must be maintained. Use only the power supply cord provided with this product, and maintain the function of the center (grounding) pin of the mains connection at any time. Make sure the mains outlet used provides a proper protective ground connection.
- Do not defeat the safety purpose of the polarized or grounding-type plug. A polarized plug has two blades with one wider than the other. A grounding type plug has two blades and a third grounding prong. The wide blade or the third prong are provided for your safety. If the provided plug does not fit into your outlet, consult an electrician for replacement of the obsolete outlet.
- Protect the power cord from being walked on or pinched particularly at plugs, convenience receptacles, and the point where they exit from the device! Power supply cords should always be handled carefully. Periodically check cords for cuts or sign of stress, especially at the plug and the point where the cord exits the device.
- Never use a damaged power cord.
- Unplug this product during lightning storms or when unused for long periods of time.
- This product can be fully disconnected from mains only by pulling the mains plug at the unit or the wall socket. The product must be placed in such a way at any time, that disconnecting from mains is easily possible.

- Fuses: Replace with IEC127 (5x20mm) type and rated fuse for best performance only! It is prohibited to use "patched fuses" or to short the fuse-holder. Replacing any kind of fuses must only be carried out by qualified service personal.
- Refer all servicing to qualified service personnel. Servicing is required when the unit has been damaged in any way, such as:
 - When the power cord or plug is damaged or frayed.
 - If liquid has been spilled or objects have fallen into the product.
 - If the product has been exposed to rain or moisture.
 - If the product does not operate normally when the operating instructions are followed.
 - If the product has been dropped or the cabinet has been damaged.
- Do not connect external speakers to this product with an impedance lower than the rated impedance given on the product or in this manual. Use only cables with sufficient cross section according to the local safety regulations.
- Keep away from direct sunlight.
- Do not install near heat sources such as radiators, heat registers, stoves or other devices that produce heat.
- Do not block any ventilation openings. Install in accordance with manufacturer's instructions. This product must not be placed in a built-in installation such as a rack unless proper ventilation is provided.
- Always allow a cold device to warm up to ambient temperature, when being moved into a room. Condensation can form inside it and damage the product, when being used without warming up.
- Do not place naked flame sources, such as lighted candles on the product.
- The device must be positioned at least 20 cm/8" away from walls.
- Use only with the cart, stand, tripod, bracket or table specified by the manufacturer or sold with the product. When a cart is used, use caution when moving the cart/product combination to avoid injury from tip-over.
- Use only accessories recommended by the manufacturer, this applies for all kind of accessories, for example protective covers, transport bags, stands, wall or ceiling mounting equipment. In case of attaching any kind of accessories to the product, always follow the instructions for use, provided by the manufacturer. Never use fixing points on the product other than specified by the manufacturer.
- This appliance is NOT suitable to be used by any person or persons (including children) with limited physical, sensorial or mental ability, or by persons with insufficient experience and/or knowledge to operate such an appliance. Children under 4 years of age must be kept away from this appliance at all times.
- Never push objects of any kind into this product through cabinet slots as they may touch dangerous voltage points or short out parts that could result in risk of fire or electric shock.
- This product is capable of delivering sound pressure levels in excess of 90 dB, which may cause permanent hearing damage! Exposure to extremely high noise levels may cause a permanent hearing loss. Wear hearing protection if continuously exposed to such high levels.
- The manufacturer only guarantees the safety, reliability and efficiency of this product if:
 - Assembly, extension, re-adjustment, modifications or repairs are carried out by the manufacturer or by persons authorized to do so.
 - The electrical installation of the relevant area complies with the requirements of IEC (ANSI) specifications.
 - The unit is used in accordance with the operating instructions.
- This product is optimized for use with music and speech signals. Using this product with sine wave, square wave or other kind of measuring signals at higher level may lead to severe damage of the product.

General Notes on Safety for Loudspeaker Systems



Mounting systems may only be used for those loudspeaker systems authorized by the manufacturer and only with the mounting accessories specified by the manufacturer in the installation instructions. Read and heed the manufacturer's installation instructions. The indicated load-bearing capacity cannot be guaranteed and the manufacturer will not be liable for damages in the event of improper installation or the use of unauthorized mounting accessories.

The system's load-bearing capacity cannot be guaranteed and the manufacturer will not be liable for damages in the event that loudspeakers, mounting accessories, and connecting and attaching components are modified in any way. Components affecting safety may only be repaired by the manufacturer or authorized agents, otherwise the operating permit will be voided.



Installation may be performed qualified personnel only, and then only at pick-points with sufficient load-carrying capacity and in compliance with local building regulations. Use only the mounting hardware specified by the manufacturer in the installation instructions (screws, anchors, etc.). Take all the precautions necessary to ensure bolted connections and other threaded locking devices will not loosen.



Fixed and portable installations (in this case, speakers and mounting accessories) must be secured by two independent safeties to prevent them from falling. Safeties must be able to catch accessories or parts that are loose or may become loose. Ensure compliance with the given national regulations when using connecting, attaching, and rigging devices. Factor potential dynamic forces (jerk) into the equation when determining the proper size and load-bearing capacity of safeties.



Be sure to observe speaker stands' maximum load-bearing capacity. Note that for reasons of design and construction, most speaker stands are approved to bear centric loads only; that is, the speakers' mass has to be precisely centered and balanced. Ensure speaker stands are set up stably and securely. Take appropriate added measures to secure speaker stands, for example when:

- the floor or ground surface does not provide a stable, secure base.
- they are extended to heights that impede stability.
- high wind pressure may be expected.
- there is the risk that they may be knocked over by people.

Special measures may become necessary as precautions against unsafe audience behavior. Do not set up speaker stands in evacuation routes and emergency exits. Ensure corridors are wide enough and put proper barriers and markings in place when setting speaker stands up in passageways. Mounting and dismantling are especially hazardous tasks. Use aids suitable for this purpose. Observe the given national regulations when doing so.



Wear proper protection (in particular, a helmet, gloves, and safety shoes) and use only suitable means of ascent (ladders, scaffolds, etc.) during installation. Compliance with this requirement is the sole responsibility of the company performing the installation.



WARNING!

After installation, inspect the system comprised of the mounting fixtures and loudspeakers to ensure it is properly secured. The operator of loudspeaker systems (fixed or portable) must regularly inspect or task a third party to regularly inspect all system components in accordance with the given country's regulations and have possible defects repaired immediately. We also strongly recommend maintaining a logbook or the like to document all inspections.

When installing speakers for longer lasting or permanent outdoor operation, be sure to take into account the stability and load-bearing capacity of platforms and surfaces; loads and forces exerted by wind, snow, and ice; as well as thermal influences. Also be sure to provide sufficient safety margins for the rigging points used for flown systems. Observe the given national regulations when doing so.

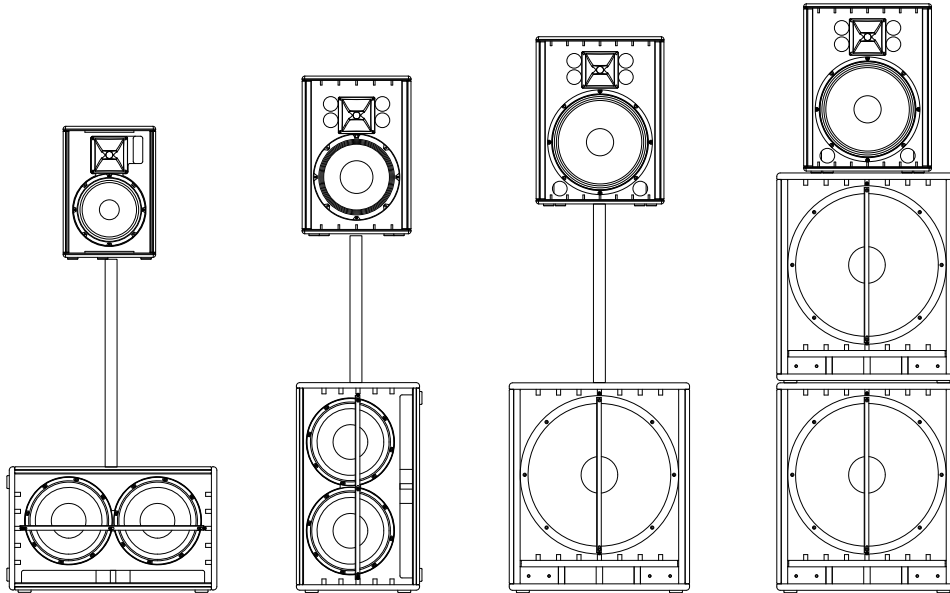
- Ask the manufacturer if your product is allowed for outdoor usage !



Professional loudspeaker systems can produce harmful volume levels. Even prolonged exposure to seemingly harmless levels (starting at about 95 dBA SPL) can cause permanent hearing damage! Therefore we recommend that everyone who is exposed to high volume levels produced by loudspeaker systems wears professional hearing protection (earplugs or earmuffs).

Manufacturer: Stamer Musikanlagen GmbH, Magdeburger Str. 8, 66606 St. Wendel, Germany

PREMIUM PR:0



Welcome to the HK Audio family!

Thank you for choosing a brand-name product made by our company. Rest assured, we engineered and built it with the greatest care so it will serve you well for many tomorrows to come.

Even if your experience with sound systems runs deep, some things about this product are sure to be new to you. This is why we ask that you do not set this manual aside without reading it first. Be sure to keep it in a safe place for later reference.

Here's wishing you the best sound at every occasion!

Your HK Audio team

Warranty

Register each powered PREMIUM PR:0 speaker separately to extend your warranty to five years free of charge! Use the convenient online registration option at www.hkaudio.com.

If you are unable to register online, please fill out the enclosed warranty card, ensuring all information is legible and complete, and mail or fax it to us.

The registration is only valid if the warranty registration card is filled out and returned to HK AUDIO or the device is registered via Internet within 30 days of the date of purchase.

We are also interested in learning where and by whom our devices are used. This information will help us design future products. Your data are of course protected by German privacy laws.

Thank you!

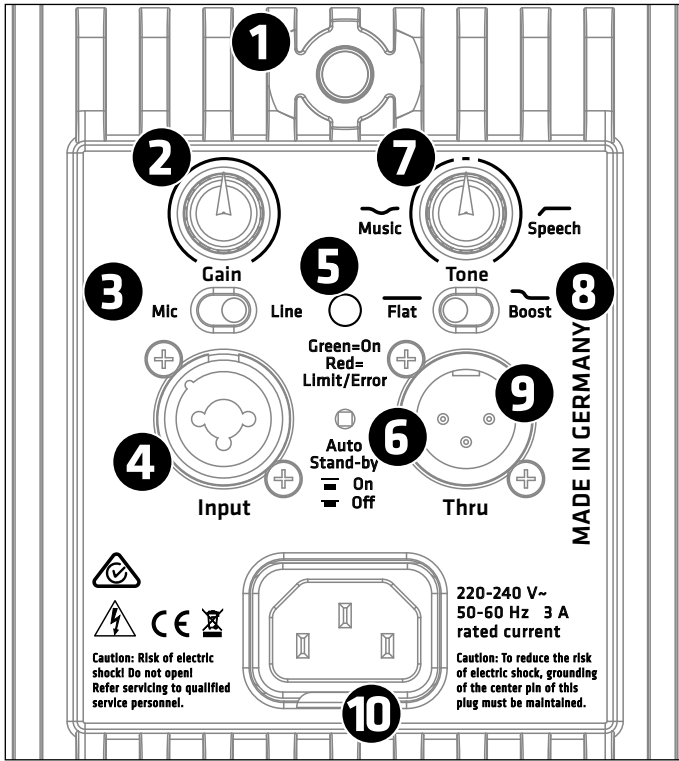
HK AUDIO

Technischer Service
Postfach 1509
66959 St. Wendel, Germany
Fax: +49 6851 905 100

1 PREMIUM PR:O Self-powered Cabinets

PR:O 10 XD • PR:O 12 D • PR:O 12 XD • PR:O 15 D • PR:O 15 XD

1.1 Control Features



1 Power

This is the PREMIUM PR:O powered cabinet's on/off button. The Limiter/Status LED lights up green to indicate the cab is powered up.

2 Gain

Use this knob to adjust the input gain to match the incoming signal's level.

Adjusting volume levels with the Gain knob:

The +4 dBu (center-notched) position is the factory default setting. It is tuned to achieve the right balance of levels between the mid/ high unit and subwoofer. If necessary, turn the Gain knob to adjust the balance of levels between the mid/ high unit and subwoofer(s) to suit the incoming line signals.

3 Mic/Line Selector

When connecting a microphone, you can optimize the input's gain level by setting this switch to Mic. This setting provides a 30 dB boost.

When connecting a line-level source such as a mixer, audio playback device, or electronic musical instrument, set this switch to Line.

4 Input

Route the incoming audio signal into this electronically balanced, combination XLR/ 6.3 mm (1/4") input (pin 1 = ground, 2 = +, 3 = -).

5 Limiter/Status LED

This dual-color LED serves as a status indicator for the PREMIUM PR:O powered cabinet (green = power on, red = limit/error). The LED briefly flashes red to tell you the limiter is responding to signal peaks.

Caution! If the Status LED stays red during operation, the cabinet is being overloaded. Turn down the signal level! If you are not routing a signal in and the Status LED stays red, the system has detected a fault.

6 Auto Standby

PREMIUM PR:O mid/ high units have a power-saving function that can be activated and deactivated. The power amp switches to standby mode when the button is set to On and the unit does not receive a signal for about four hours (consumption <0.5 watts). To power the PREMIUM PR:O cabinet back up again, simply set its Power button to Off for five seconds and then back to On. Mid/ high units will remain up and running if you disable Auto Standby by setting this button to Off.

7 Tone

The Tone knob adjusts the frequency response to suit the given application. Setting the knob to the center position defeats the filter.



Turning the Tone knob counterclockwise towards Music attenuates by up to -6 dB a broad midrange band with a center frequency of 2500 Hz, thereby taking the edge off the sound. The overall volume is not affected.



Turning the Tone knob clockwise towards Speech activates a 80-to-200 Hz low-cut filter, which enhances clarity for speech applications and reduces subsonic noise.

The X models (PR: O 10 XD, PR: O 12 XD, PR: O 15 XD) are also tuned to minimize feedback and distortion at high volume levels.

8 Flat/Boost Selector



Setting this switch to Flat conjures the optimum linear frequency response for live performances and for operation in combination with subwoofers.



Setting this switch to Boost pumps up the bass. This boosts a broad band of bass frequencies in the kick-drum range between 70 Hz and 80 Hz and extends the low-end response.

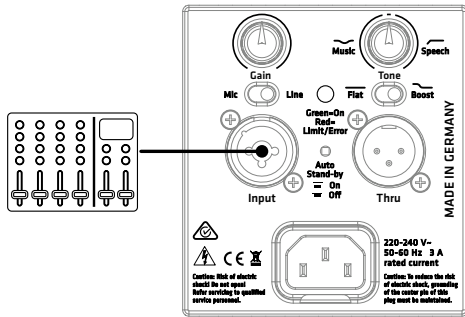
9 Thru

This passive parallel output routes the signal routed into the front-end Input back out again (pin 1 = ground, 2 = +, 3 = -).

10 Mains

Use the factory-included power cord to connect this socket to a wall outlet.

1.2 Connecting Cords



- When operating the PREMIUM PR:O speaker cabinet as a standalone unit or monitor without an added subwoofer, use a balanced cord equipped with XLR connectors or 6.3 mm (1/4") jack plugs to route the signal from the mixer (via a monitor out, line out, or a similar output) or microphone to the Input.
- When operating the cabinet in combination with PREMIUM PR:O series powered subwoofers, use a cord equipped with XLR connectors to connect the subwoofer's Line Out Mid/High to the cabinet's Input.
- Plug a cord equipped with XLR connectors into the Thru port to route the input signal out again.

Go to page 18-21 for illustrations of cable connections.

1.3 Operating the Cabinet

- Ensure the PREMIUM PR:O cabinet is switched off.

Caution! Always make sure the local mains voltage matches the voltage specified on the PREMIUM PR:O unit. You may destroy powered cabinet's electronic components if you connect it to the wrong mains voltage.

- When patching in line signals, ensure all other connected components are switched on before powering up. The connected mixer as well as all signal sources connected to it—keyboards, instrument amps, effects and the like—should be switched on first. Always switch on the PREMIUM PR:O last, after you power up all connected devices, and switch it off first; that is, before you switch off all connected devices.
- When you flip on the Power switch, the fan will start up briefly for a system check and switch off after around five seconds. After that, the cabinet's circuitry controls the fan. It kicks in only at very high volume levels and is regulated according to the temperature. The Status LED lights up red during the system check. It will turn green if there is no error and the system is getting mains power.
- The Gain knob's default setting is the 12 o'clock position (+4 dBu / center-notched). This is the preferred level if you have connected a mixer to the PREMIUM PR:O cabinet. If you plug a CD player or keyboard straight into the cabinet, you may have to turn this knob to adjust the gain to match it to the device's signal level.

Caution! Turn the Gain knob counterclockwise all the way down to the far left when switching the input sensitivity from Line to Mic.

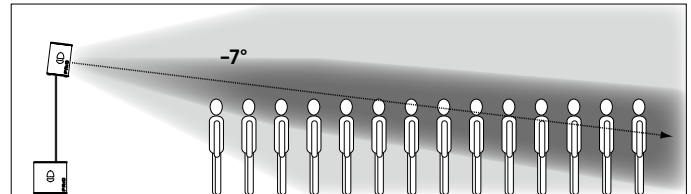
- If you hear distortion or clipping occurs, first check the signal sources and, if possible, reduce the output signal level there.

1.4 Aiming the Cabinet

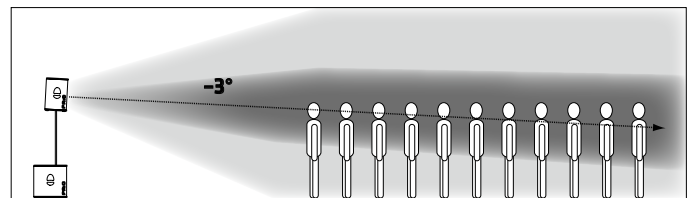
DuoTilt™ 3/7

The HK Audio DuoTilt 3/7 pole mount lets you align PREMIUM PR:O cabinets vertically on a speaker stand or mounting pole to prevent or reduce troublesome ceiling reflections. The front aperture of the HK Audio DuoTilt provides a 7° angle, the rear aperture a 3° angle of tilt.

Rule of thumb: We recommend that you opt for the 7° angle if the audience close by and you place cabinets at an elevated position—for example, on stands on the stage—or if the audience is seated. This way the sound and particularly the high frequencies are distributed more uniformly right on up to the front face of the speakers.



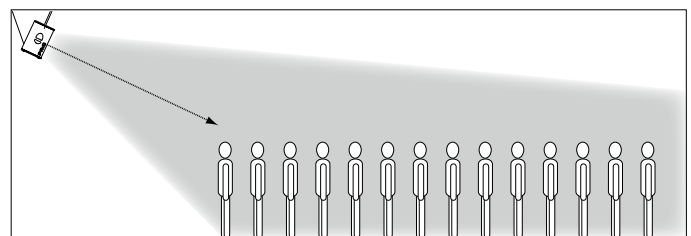
If you wish to address more listeners at a greater distance from the speakers, opt for the 3° angle on the HK Audio DuoTilt 3/7.



In both situations, you can vary the speakers' reach by adjusting their height. They throw sound over a greater distance as their elevation increases.

Rigging Points

Every PREMIUM PR:O model comes with three countersunk M8 rigging points. They let you fly the speaker on steel cables or chains at inclinations from 0° up to 45°. When flying the cabinet, for example, from a truss, use the rear rigging point to determine the degree of inclination.

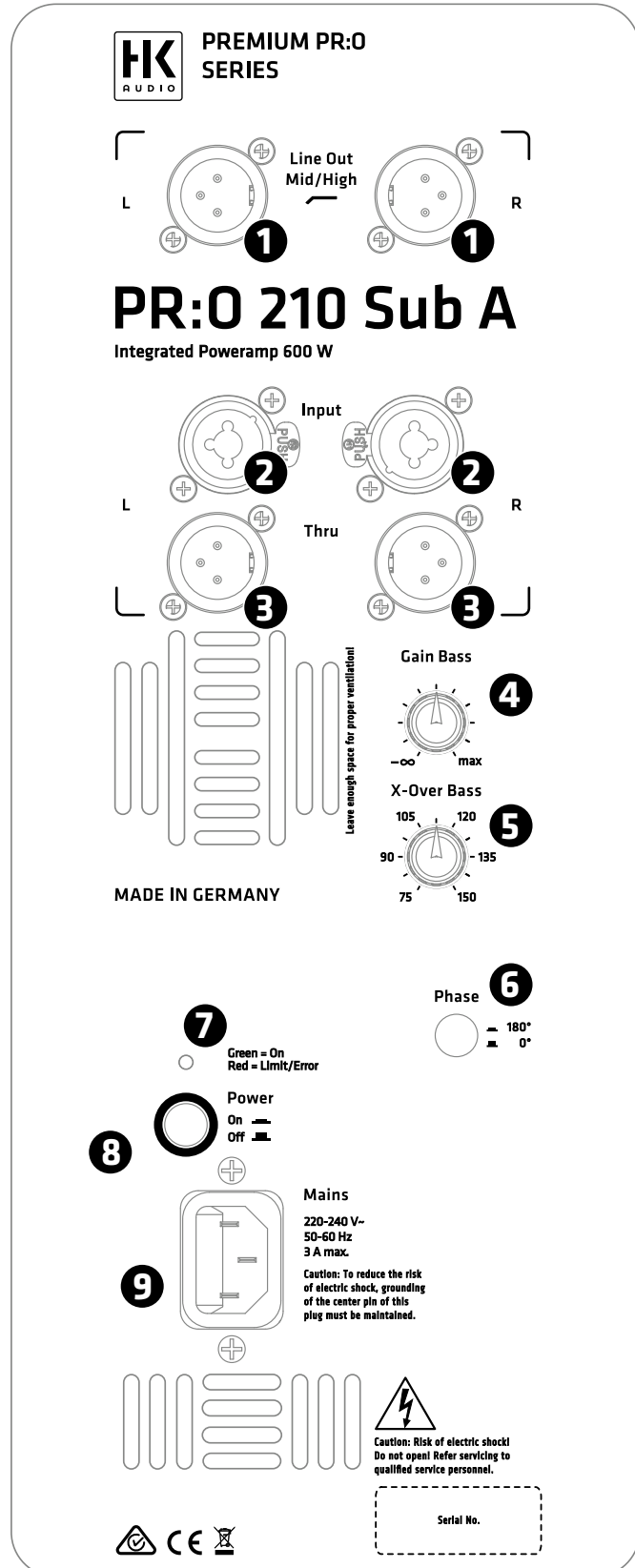


We recommend using our secure AP-8 suspension points to rig the speaker to the mounting hardware.

2 PREMIUM PR:0 Self-powered Subwoofer

PR:0 18 Sub A • PR:0 210 Sub A

2.1 Control Features



1 Line Out Mid/High L/R

Two electronically balanced XLR outputs for connecting PREMIUM PR:0 mid/ high units (pin 1 = ground, 2 = +, 3 = -).

2 Input L/R

These two electronically balanced XLR / 1/4" combi inputs accept signals from mixing consoles (pin 1 = ground, 2 = +, 3 = -).

3 Thru L/R

These two parallel outputs patch incoming line signals through, for example, to other PREMIUM PR:0 active speakers or monitors (pin 1 = ground, 2 = +, 3 = -).

4 Gain Bass

This knob adjusts the input level (center position = 0 dBV). The 12 o'clock position is the ideal starting point when operating the subwoofer in combination with a PREMIUM PR:0 active cabinet. Then you can simply twist the knob to the left or right to cut and boost bass frequencies. If you connect a PREMIUM PR:0 satellite, first set the Gain knob to the center detent and then adjust the level to suit the given sound reinforcement situation.

5 X-Over Bass

The active crossover can serve to vary the top cutoff frequency of the subwoofer with a range of 75 to 150 Hz. The best cutoff frequency for the given application depends on the surroundings and satellite, so you will have to experiment.

Note: If you set the cutoff to a frequency higher than 100 Hz, the subwoofer will render mostly the lower frequencies of signals generated by bass guitars, kick drums, and low-end keyboard sounds. If you set the cutoff to a frequency higher than 100 Hz, the subwoofer will also render the lower frequencies of voices and other sound sources.

6 Phase

The Phase switch changes the subwoofer's phase position to match it to the connected satellite's phase position (0° - 180°). Set the switch to 0° when operating the PR:0 18 Sub A in combination with a PREMIUM PR:0 active cabinet. The PR:0 210 Sub A's phase has to be reversed 180° to ensure it is in phase with PREMIUM PR:0 mid-/high-range units. You may have to invert the phase for combinations with other enclosures. If you are unsure, simply try the 180° setting. If the bass response changes and the signal sounds weak and washed out, the phase setting is incorrect.

7 Limiter/Status LED

This dual-color LED serves as a status indicator for the PREMIUM PR:0 powered cabinet (green = power on, red = limit/error). The LED briefly flashes red to tell you the limiter is responding to signal peaks.

Caution! If the Status LED stays red during operation, the cabinet is being overloaded. Turn down the signal level! If you are not routing a signal in and the Status LED stays red, the system has detected a fault.

8 Power

This is the PREMIUM PR:0 powered cabinet's on/off button. The signal LED lights up green to indicate the cab is powered up.

9 Mains Input

Use the factory-included power cord to connect this socket to a wall outlet.

Note: All PREMIUM PR:0 self-powered subwoofers are equipped with V-Lock mains sockets. If you use a VOLEX locking mains cord or another optionally available brand with the same design, you can fix the mains cord in place to prevent accidental disconnection.

2.2 Setting Up and Connecting the Cabinet

Use a balanced cord equipped with XLR connectors or 6.3 mm (1/4") jack plugs to route the signal from the mixer (via a monitor out, line out, or a similar output) to the Input. Then connect the active satellites to the XLR outputs labeled Line Out Mid/High. Use the two Thru ports to feed the fullrange signal to other enclosures. Make sure the XLR connectors' terminals are configured as follows: 1= ground, 2= +, 3= -.

2.3 Operating Speakers

- First make sure the powered cabinet is off.

Caution! Connect the cabinet to the mains supply only after you are certain the local mains voltage matches the voltage specified on the rear panel. If you connect the system to the wrong mains voltage, you may destroy the electronic components of the PREMIUM PR:0 active cabinet.

- Back the Gain knobs all the way off, turning them counterclockwise as far as they will go.

Ensure you first switch on all other connected components, for example, a connected mixing console as well as all signal sources patched into it, such as keyboards, instrument amps, effects and so forth. Always connect PREMIUM PR:0 active cabinets to Line Out Mid/High, and always switch them on last; that is, after you switch on all other connected components. When you powering down, first turn the Gain knobs to the far left and switch active cabinets off first, before switching off any connected devices.

After you power the system up by engaging the Power switch, a system check prompts the fan to briefly kick on and back off again in about five seconds. The fan is temperature-controlled, actuating only at very high volumes and temperatures requiring cooling.

- The Limiter/Status LED lights up green when the cabinet receives mains power.

Set the Gain knob to the center or 12 o'clock position (= 0 dBV). This is the preferred level if you have connected a mixer to the PREMIUM PR:0 active cabinet. You can boost the input level 6 dB by turning up the Gain knob.

For the best audio results, ensure the Limiter/Status LED does not light up continuously red.

2.4 Settings

Adjusting volume with the Gain knob

Twist this knob to adjust the line signal levels.

If you hear distortion or saturated signals, first check the signal sources and, if possible, reduce the output signal level there. If you cannot adjust the level of the signal routed to the PREMIUM PR:0 active cabinet at the source, match it to the power amps by backing off the Gain knob to lower the input level.

3 Tips and Tricks

1 Do not expose electronic circuitry to moisture! Protect cabinets against rain when you set them up outdoors. Keep soft drinks, beer, and any other liquids away from the electronic components to prevent short circuits.

2 PREMIUM PR:0 active enclosures provide optimum sound to you, so be sure to provide optimum input signals to them! Noise such as humming is generally caused by defective cables, the wrong type of cords, or unbalanced signals routed into the mixing console. Check all signal and mains cables.

3 Prevent distortion! Not only is it unpleasant to your audience's ears, it also endangers your equipment. Make sure all components that are connected directly and indirectly to PREMIUM PR:0 active cabinets have sufficient power ratings, and that they don't distort because they're running at their respective limits. Ensure all sources deliver clean audio signals.

4 Avoid ground loops! Annoying humming can arise even within audio systems with balanced circuits, for example, when the mixing console's mains cord isn't connected and grounded to the same mains circuit as PREMIUM PR:0 active enclosures. Using two different ground circuits can create a ground loop. To prevent this problem, always connect PREMIUM PR:0 active enclosures and the mixing console to the same electrical circuit; that is, the same phase!

CAUTION: Never tape over the plug's ground terminal - this endangers lives!

4 Troubleshooting

The Limiter/Status LED does not light up when the power switched on.

- Check if the power cord is plugged into the Mains input.
- Check if the mains power supply is providing current.

The Limiter/Status LED lights up red, flashing intermittently.

- The Limiter has actuated; lower the input level if necessary.

The Limiter/Status LED lights up red continuously, but no sound is issuing from the cabinet.

- The enclosure's protective circuit has tripped. Please contact your dealer.

The rendered music sounds distorted.

- Check your mixing console's LED meters. They should not be constantly in the red. If necessary, back off the volume at the mixer.
- If the LED displays on your mixer are in the green, back off the PREMIUM PR:O active cabinet's Gain knob.
- Observe the Limiter/Status LED on the PREMIUM PR:O active enclosure's control panel. These may light up red, but only intermittently. The red light may not illuminate continuously. If it does, turn down the Gain knob.

5 Applications

Go to page 18-21 for illustrations of cable connections.

6 Technical Specifications

Model	PR:O 10 XD	PR:O 12 D
Max SPL	122 dB half space*	124 dB half space*
Max SPL peak	131 dB half space*	132 dB half space*
Max SPL calculated	133 dB half space	133 dB half space
Frequency response +/- 3 dB	81 Hz - 16 kHz	72 Hz - 16 kHz
Frequency response -10 dB	69 Hz - 18 kHz	62 Hz - 18 kHz
Output power	1200 W	1200 W
Amp type	Class D - biamped	Class D - biamped
Active protective circuits	Peak and RMS Sound Limiter (separate for HF and LMF)	Peak and RMS Sound Limiter (separate for HF and LMF)
Bass woofer		
Low/Mid speaker	1x 10"	1x 12"
HF driver	1"	1"
Horn directivity	90° x 55° CD horn	90° x 55° CD horn
Active x-over frequency	2.5 kHz FIR X-Over with 48 dB/oct.	2.5 kHz FIR X-Over with 48 dB/oct.
Audio ports	1x XLR-1/4"-Combo In, bal., 1x XLR-Through	1x XLR-1/4"-Combo In, bal., 1x XLR-Through
Equalizer	Tone knob (Music / Speech) Bass Boost	Tone knob (Music / Speech) Bass Boost
Angles up	35°	
Pole mount	DuoTilt 3/7	DuoTilt 3/7
Suspension points	3x M8	3x M8
Grips	1, integrated	2, integrated
Casters		
Housing	MDF	MDF
Front grille	2 mm metal grille backed with black acoustic foam	2 mm metal grille backed with black acoustic foam
Finish	Acrylic enamel, black	Acrylic enamel, black
Optional accessories	Protective cover, Satellite Add-on	Protective cover, Satellite Add-on
Dimensions (WxHxD)	38 x 49 x 29 cm	39 x 57 x 36 cm
Weight	13.2 kg / 29.1 lbs.	18.7 kg / 41.2 lbs.

*@10% THD

PR:0 12 XD	PR:0 15 D	PR:0 15 XD	PR:0 18 SUB A	PR:0 210 SUB A
124 dB half space*	125 dB half space*	125 dB half space*	125 dB half space*	123 dB half space*
132 dB half space*	130 dB half space*	130 dB half space*	127 dB half space*	126 dB half space*
133 dB half space	133 dB half space	133 dB half space	127 dB half space	126 dB half space
80 Hz - 16 kHz	60 Hz - 16 kHz	61 Hz - 16 kHz	48 Hz - X-over	60 Hz - 150 Hz
69 Hz - 18 kHz	54 Hz - 18 kHz	57 Hz - 18 kHz	38 Hz - X-over	40 Hz - 150 Hz
1200 W	1200 W	1200 W	600 W	600 W
Class D - biamped	Class D - biamped	Class D - biamped	Class D	Class D
Peak and RMS Sound Limiter (separate for HF and LMF)	Peak and RMS Sound Limiter (separate for HF and LMF)	Peak and RMS Sound Limiter (separate for HF and LMF)	Subsonic Filter, Peak Limiter	Subsonic Filter, Peak Limiter
			1x 18"	2x 10"
1x 12"	1x 15"	1x 15"		
1"	1"	1"		
90° x 55° CD horn	90° x 55° CD horn	90° x 55° CD horn		
2.5 kHz FIR X-Over with 48 dB/oct.	2.5 kHz FIR X-Over with 48 dB/oct.	2.5 kHz FIR X-Over with 48 dB/oct.	75 Hz - 150 Hz, switchable	75 Hz - 150 Hz, switchable
1x XLR-1/4"-Combo In, bal., 1x XLR-Through	1x XLR-1/4"-Combo In, bal., 1x XLR-Through	1x XLR-1/4"-Combo In, bal., 1x XLR-Through	2x XLR-1/4"-Combo In, 2x XLR L/R Out Mid/High, 2x XLR Through balanced	2x XLR-1/4"-Combo In, 2x XLR L/R Out Mid/High, 2x XLR Through balanced
Tone knob (Music / Speech) Bass Boost	Tone knob (Music / Speech) Bass Boost	Tone knob (Music / Speech) Bass Boost		
33°		42°		
DuoTilt 3/7	DuoTilt 3/7	DuoTilt 3/7	1x M20	2x M20
3x M8	3x M8	3x M8		
2, integrated	2, integrated	2, integrated	2, integrated	2, integrated
			optional 100 mm	
MDF	MDF	MDF	MDF	MDF
2 mm metal grille backed with black acoustic foam	2 mm metal grille backed with black acoustic foam	2 mm metal grille backed with black acoustic foam	2 mm metal grille backed with black acoustic foam	2 mm metal grille backed with black acoustic foam
Acrylic enamel, black	Acrylic enamel, black	Acrylic enamel, black	Acrylic enamel, black	Acrylic enamel, black
Protective cover, Satellite Add-on	Protective cover, Satellite Add-on	Protective cover, Satellite Add-on	Protective cover, Satellite Add-on	Protective cover, Satellite Add-on
40 x 59 x 31 cm	47 x 62 x 42 cm	47 x 62 x 45 cm	53 x 61 x 64 cm	36 x 61 x 53 cm
16.3 kg / 35.9 lbs.	23.7 kg / 52.3 lbs.	22.6 kg / 49.8 lbs.	39.8 kg / 87.8 lbs.	27.2 kg / 60 lbs.

Wichtige Sicherheitshinweise! Bitte vor Anschluss lesen!

Dieses Produkt wurde gemäß IEC 60065 hergestellt und hat das Werk in einem sicheren, betriebsfähigen Zustand verlassen. Um diesen Zustand zu erhalten und um einen gefahrlosen Betrieb zu gewährleisten, ist es notwendig, dass der Benutzer die Empfehlungen und Warnhinweise befolgt, die in der Betriebsanleitung zu finden sind. Bei Einsatz dieses Produktes in Fahrzeugen, Schiffen oder Flugzeugen, oder in Höhen oberhalb 2000 m Meereshöhe müssen die entsprechenden Sicherheitsstandards zusätzlich zur IEC 60065 beachtet werden. **WARNUNG:** Um das Risiko von Feuer oder Stromschlag zu verhüten, darf dieses Gerät nicht Feuchtigkeit oder Regen ausgesetzt werden. Öffnen Sie das Gehäuse nicht – im Inneren gibt es keine Bauteile, die vom Benutzer wartbar sind. Die Wartung darf nur von einem qualifiziertem Kundendienst durchgeführt werden.



Dieses Symbol, wo immer es erscheint, warnt Sie vor gefährlicher, nicht isolierter Spannung im Gehäuse – Spannung, die möglicherweise genügt, eine Stromschlaggefahr darzustellen.



Dieses Symbol, wo immer es erscheint, warnt Sie vor außen zugänglicher, gefährlicher Spannung. Eine Verbindung zu jeder Anschlussklemme, die mit diesem Symbol versehen ist, darf nur mit konfektioniertem Kabel hergestellt werden, dass den Empfehlungen des Herstellers genügt, oder mit Kabel, das von qualifiziertem Personal installiert wurde.



Dieses Symbol, wo immer es erscheint, macht Sie auf wichtige Bedienungs- und Wartungsanweisungen aufmerksam, die in beiliegenden Unterlagen zu finden sind. Bitte lesen Sie das Handbuch.



Dieses Symbol, wo immer es erscheint, sagt Ihnen: Vorsicht! Heiße Oberfläche! Um Verbrennungen zu vermeiden, nicht anfassen.

- Bitte lesen Sie diese Anweisungen.
- Bewahren Sie diese Anweisungen auf.
- Befolgen Sie alle Warnhinweise und Anweisungen auf dem Gerät und in dieser Anleitung.
- Benutzen Sie dieses Gerät nicht in der Nähe von Wasser. Stellen Sie das Gerät nicht in der Nähe von Wasser, Badewannen, Waschbecken, Küchenspülen, nassen Stellen, Schwimmbecken oder in feuchten Räumen auf.
- Stellen Sie keine Gefäße, wie Vasen, Gläser, Flaschen usw., die Flüssigkeiten enthalten, auf das Gerät.
- Reinigen Sie das Gerät nur mit einem trockenen Tuch.
- Entfernen Sie keine Abdeckungen oder Teile des Gehäuses.
- Die auf dem Gerät angegebene Betriebsspannung muss mit der örtlichen Spannung der Netzstromversorgung übereinstimmen. Wenn Sie sich nicht sicher sind, welche Spannung in Ihrem Netz zur Verfügung steht, konsultieren Sie bitte Ihren Händler oder den örtlichen Stromversorger.
- Stellen Sie vor Anschluss des Gerätes unbedingt sicher, dass die Netzversorgungsinstallation über ausreichende Schutzvorrichtungen gegen Kurzschluss und Erdungsfehler angeschlossener Geräte verfügt.
- Um das Risiko eines Stromschlags zu verringern, muss die Erdung des Gerätes beibehalten werden. Verwenden Sie nur das mitgelieferte Stromführungskabel und behalten Sie die Funktion der seitlichen, geerdeten Schutzkontakte des Netzanschlusses immer aufrecht. Stellen Sie sicher, dass das Gerät nur an Steckdosen angeschlossen wird, die über eine ordnungsgemäß funktionierende Schutzerdung verfügen.
- Schützen Sie das Stromführungskabel vor Betreten und Quetschen, besonders in der Nähe der Stecker, Gerätesteckdosen – und dort, wo sie am Gerät austreten! Stromführungskabel sollten immer vorsichtig behandelt werden. Kontrollieren Sie die Stromführungskabel in regelmäßigen Abständen auf Einschnitte und Anzeichen von Abnutzung, besonders in der Nähe des Steckers und an der Verbindung zum Gerät.
- Benutzen Sie niemals ein beschädigtes Stromführungskabel.
- Ziehen Sie bei Gewittern den Stecker des Gerätes und wenn das Gerät über einen längeren Zeitraum nicht benutzt wird.
- Dieses Gerät wird nur vollständig vom Stromnetz getrennt, wenn der Stecker vom Gerät oder aus der Steckdose gezogen wird. Das Gerät sollte so aufgestellt werden, dass das Trennen vom Stromnetz leicht möglich ist.
- Sicherungen: Ersetzen Sie Sicherungen nur mit dem Typ IEC127 (5x20mm) und dem korrekten Nennwert, um die optimale Leistung zu gewährleisten! Es ist untersagt, kurzgeschlossene Sicherungen zu verwenden oder den Sicherungshalter zu überbrücken. Sicherungen dürfen nur von qualifiziertem Personal gewechselt werden.
- Alle Wartungsarbeiten sollten nur von qualifiziertem Personal ausgeführt werden. Wartung ist notwendig, wenn das Gerät auf irgendeine Weise

beschädigt wurde, wie zum Beispiel:

- Wenn das Stromführungskabel oder der Stecker beschädigt oder abgenutzt ist.
- Wenn Flüssigkeit oder Gegenstände in das Gerät gelangt sind.
- Wenn das Gerät Regen oder Feuchtigkeit ausgesetzt war.
- Wenn das Gerät nicht ordnungsgemäß funktioniert, obwohl die Bedienungsanleitung beachtet wurde.
- Wenn das Gerät hingefallen ist oder das Gehäuse beschädigt wurde.
- Beim Anschluss von Lautsprechern an dieses Gerät darf die auf dem Gerät oder in dieser Anleitung angegebene Mindestimpedanz nicht unterschritten werden. Die verwendeten Kabel müssen entsprechend den lokalen Regelungen über einen ausreichenden Querschnitt verfügen.
- Halten Sie das Gerät vom Sonnenlicht fern.
- Installieren Sie das Gerät nicht in der Nähe von Wärmequellen, wie zum Beispiel Heizkörper, Heizregister, Öfen oder anderen Geräten, die Hitze erzeugen.
- Verstopfen Sie nicht die Lüftungsöffnungen. Installieren Sie das Gerät entsprechend der Anleitung des Herstellers. Das Gerät darf nicht eingebaute werden – wie zum Beispiel in einen Gestellrahmen, es sei denn, dass für angemessene Belüftung gesorgt wird.
- Ein kaltes Gerät sollte immer auf die Umgebungstemperatur erwärmt werden, wenn es in einen Raum transportiert wird. Es könnte sich Kondensation im Inneren bilden, die das Gerät beschädigt, wenn es ohne vorherige Erwärmung benutzt wird.
- Stellen Sie keine offenen Flammen, wie brennende Kerzen, auf das Gerät.
- Das Gerät sollte mindestens 20 cm von Wänden aufgestellt werden.
- Das Gerät darf nur mit Rollwagen, Ständern, Stativen, Tischen oder Halterungen benutzt werden, die vom Hersteller spezifiziert sind oder zusammen mit dem Gerät verkauft wurden. Wenn ein Rollwagen benutzt wird, seien Sie vorsichtig, wenn Sie die Rollwagen/Geräte-Kombination transportieren, um Verletzungen durch Umkippen zu vermeiden.
- Verwenden Sie nur Zubehör, das vom Hersteller empfohlen ist. Das gilt für alle Arten von Zubehör, wie zum Beispiel Schutzabdeckungen, Transporttaschen, Ständer sowie Wand- und Deckenhalterungen. Wenn Sie irgendein Zubehör am Gerät anbringen, befolgen Sie immer die Anleitungen des Herstellers. Benutzen Sie nur die Befestigungspunkte des Geräts, die vom Hersteller vorgesehen sind.
- Dieses Gerät ist NICHT geeignet für eine Person oder Personen (einschließlich Kindern) mit eingeschränkten physischen, sensorischen und geistigen Fähigkeiten, oder für Personen mit unzulänglicher Erfahrung und/oder Fachkenntnis, um solch ein Gerät zu bedienen. Kinder unter 4 Jahren sollten stets von diesem Gerät fern gehalten werden.
- Es sollten keinerlei Gegenstände durch die Gehäuseschlitze eingeführt werden, da dadurch gefährliche, spannungsführende Bauteile berührt oder kurzgeschlossen werden können. Dies könnte zu einer Feuer- oder Stromschlaggefahr führen.
- Dieses Gerät ist imstande, Schalldruckpegel von mehr als 90 dB zu produzieren. Dies könnte zu einem dauerhaften Hörschaden führen! Eine Belastung durch extrem hohe Geräuschpegel kann zu einem dauerhaften Gehörverlust führen. Bei einer anhaltenden Belastung durch solch hohe Pegel sollte ein Gehörschutz getragen werden.
- Der Hersteller gewährleistet die Sicherheit, Zuverlässigkeit und Leistung des Gerätes nur unter folgenden Voraussetzungen:
 - Einbau, Erweiterung, Neueinstellung, Modifikationen oder Reparaturen werden vom Hersteller oder autorisiertem Personal ausgeführt.
 - Die elektrische Installation des betreffenden Bereiches entspricht den Anforderungen der IEC (ANSI) Maßgaben.
 - Das Gerät wird entsprechend der Bedienungsanleitung benutzt.
- Dieses Produkt ist auf die Verwendung mit Musik- und Sprachsignalen optimiert. Verwendung mit Sinus-, Rechteck- oder anderen Mess-Signalen bei höherem Pegel kann zu ersten Beschädigungen des Geräts führen.

Allgemeine Sicherheitshinweise für Lautsprechersysteme



Befestigungssysteme dürfen ausschließlich für die vom Hersteller freigegebenen Lautsprechersysteme und mit dem in der Montageanleitung genannten Montage-Zubehör verwendet werden. Die Montagehinweise des Herstellers sind dabei unbedingt zu beachten. Bei unsachgemäßer Montage bzw. Verwendung von nicht freigegebenem Montage-Zubehör kann die angegebene Belastung nicht garantiert und keinerlei Haftung seitens des Herstellers übernommen werden. Sollten Änderungen an Lautsprechern, an Montage-Zubehör, Verbindungs- und Befestigungselementen sowie Anschlagmitteln vorgenommen werden, kann die Tragfähigkeit des Systems nicht mehr garantiert werden und seitens des Herstellers keinerlei Haftung übernommen werden.

Reparaturen an sicherheitsrelevanten Bauteilen dürfen nur vom Hersteller oder Bevollmächtigten durchgeführt werden, andernfalls erlischt die Betriebserlaubnis.



Die Installation darf ausschließlich durch Sachkundige und nur an Montagepunkten mit ausreichender Tragfähigkeit, ggf. unter der Berücksichtigung von Bauauflagen, erfolgen. Das vom Hersteller in der Montageanleitung vorgeschriebene Befestigungsmaterial (Schrauben, Dübel, etc.) muss verwendet werden. Schraubverbindungen müssen durch geeignete Maßnahmen gegen Lösen gesichert sein.



Ortsfeste oder mobile Installationen (hier Lautsprecher inkl. Montagezubehör) müssen durch zwei unabhängig voneinander wirkende Einrichtungen gegen Herabfallen gesichert sein. Lose Zusatzteile oder lösende Teile müssen durch geeignete Einrichtungen aufgefangan werden können. Bei Verwendung von Verbindungs- und Befestigungselementen sowie Anschlagmitteln sind die nationalen Vorschriften zu beachten. Hinsichtlich der Bemessung der Sicherungsmittel sind mögliche dynamische Belastungen (Ruckkräfte) mit zu berücksichtigen.



Bei Stativen ist vor allem die maximale Traglast zu beachten. Außerdem sind die meisten Stative aus konstruktiven Gründen nur für das Tragen von genau zentrischer Belastung zugelassen. Stative müssen standsicher aufgestellt werden. Stative sind durch geeignete Maßnahmen zusätzlich zu sichern, wenn zum Beispiel:

- ihre Aufstandfläche keinen sicheren Stand zulässt,
- ihre Höhen die Standsicherheit einschränken,
- mit zu hohem Winddruck zu rechnen ist,
- damit zu rechnen ist, dass sie durch Personen umgestoßen werden. Besondere Maßnahmen können auch zur Vorsorge gegen gefährdendes Verhalten von Zuschauern erforderlich werden. Stative dürfen nicht in Flucht- und Rettungswegen aufgestellt werden. Bei Aufstellung in Verkehrswegen ist auf die erforderliche Breite der Wege und auf ordnungsgemäße Absperrung sowie Kennzeichnung zu achten. Beim Auf- und Absetzen ist eine besondere Gefährdung gegeben. Hierzu sind geeignete Hilfsmittel zu verwenden. Es sind hierbei die nationalen Vorschriften zu beachten.



Während der Montage ist geeignete Schutzausrüstung (insbesondere Kopfschutz, Handschuhe und Sicherheitsschuhe) zu tragen und es sind nur geeignete Aufstiegshilfen (Leitern, Gerüste, etc.) zu verwenden. Die Verantwortung dafür liegt alleine beim ausführenden Installationsbetrieb.



ACHTUNG!

Nach der Montage ist die Aufhängung des System aus Halterung und Lautsprecher auf sichere Befestigung zu überprüfen.

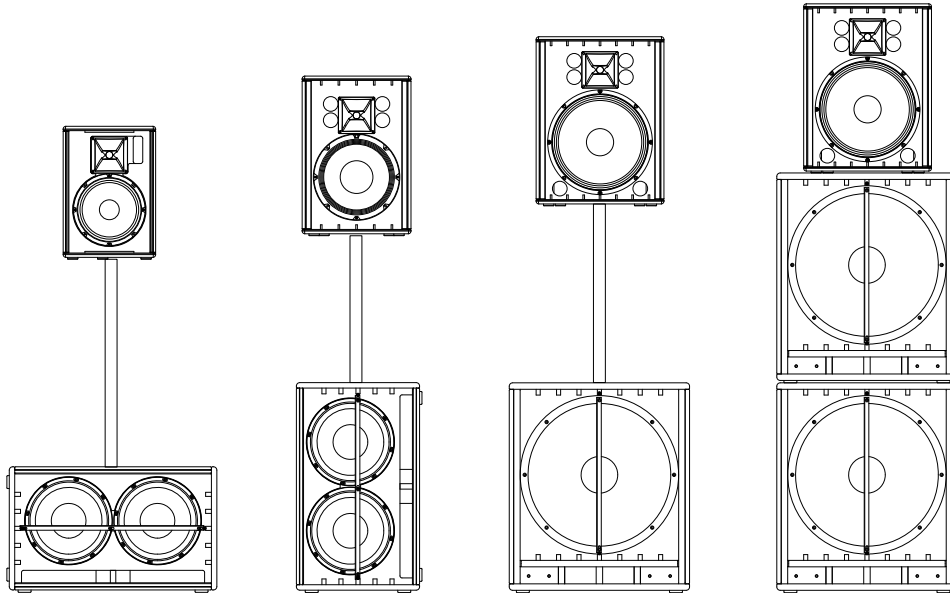
Der Betreiber von Lautsprechersystemen (ortsfest oder mobil) ist verpflichtet, alle Systemkomponenten unter Berücksichtigung der jeweils nationalen Regelungen regelmäßig zu überprüfen bzw. prüfen zu lassen und mögliche Schäden unverzüglich beseitigen zu lassen. Weiterhin raten wir dringend zu einer ausführlichen Dokumentation aller Überprüfungsmaßnahmen in Prüfbüchern o.ä. Bei längerem oder dauerhaftem Einsatz von Lautsprechern im Freien sind für Standsicherheit und Tragfähigkeit von Aufbauten und Flächen insbesondere auch die Windlasten, Schnee- und Eislasten sowie thermische Einflüsse zu berücksichtigen. Insbesondere die Lastaufnahmepegel gefogener Systeme sollten hier mit ausreichenden Sicherheitsreserven dimensioniert werden. Es sind hierbei die nationalen Vorschriften zu beachten.

- Fragen Sie den Hersteller, ob Ihr Produkt für den Betrieb im Freien geeignet ist.



Professionelle Lautsprechersysteme sind in der Lage, gesundheitsschädliche Schallpegel zu erzeugen. Selbst die Einwirkung scheinbar harmloser Schallpegel über einen längeren Zeitraum kann zu bleibenden Schäden am Gehör führen (ab ca. 95 dBA SPL)! Daher raten wir für alle Personen, die durch den Betrieb von Lautsprechersystemen dem Einfluss hoher Schallpegel ausgesetzt sind, zum Tragen von professionellem Gehörschutz (Ohrstöpsel oder Kapselgehörschutz). Hersteller: Stamer Musikanlagen GmbH, Magdeburger Str. 8, 66606 St. Wendel, Deutschland

PREMIUM PR:0



Willkommen in der HK Audio Familie!

Vielen Dank, dass Sie sich für ein Markenprodukt aus unserem Hause entschieden haben, das mit größter Sorgfalt für Sie entwickelt und gefertigt wurde.

Auch wenn Sie bereits eingehende Erfahrungen mit Beschallungsanlagen gesammelt haben – bei diesem Produkt wird es trotzdem einige Dinge geben, die neu für Sie sind. Legen Sie deshalb diese Bedienungsanleitung nicht ungelesen beiseite und bewahren Sie sie zur späteren Verwendung auf.

Wir wünschen Ihnen allzeit besten Sound!

Ihr HK Audio Team

Garantie

Registrieren Sie jede einzelne PREMIUM PR:0 – dann erhalten Sie eine kostenlose Garantieverlängerung bis 5 Jahre! Nutzen Sie die komfortable Online-Registrierung über www.hkaudio.com.

Falls Sie keine Möglichkeit haben, sich online zu registrieren, füllen Sie bitte die beiliegende Garantiekarte vollständig und gut leserlich aus und senden diese per Post oder Fax an uns.

Die Registrierung ist nur gültig, wenn die vollständig ausgefüllte Registrierungskarte innerhalb von 30 Tagen ab Kaufdatum an HK Audio eingesendet wurde bzw. die fristgerechte Registrierung über das Internet erfolgte.

Weiterhin möchten wir uns einen Eindruck verschaffen, wo und von wem unsere Geräte angewendet werden. Diese Informationen unterstützen unsere zukünftige Produktentwicklung. Ihre Angaben unterliegen selbstverständlich den deutschen Datenschutzbestimmungen.
Vielen Dank!

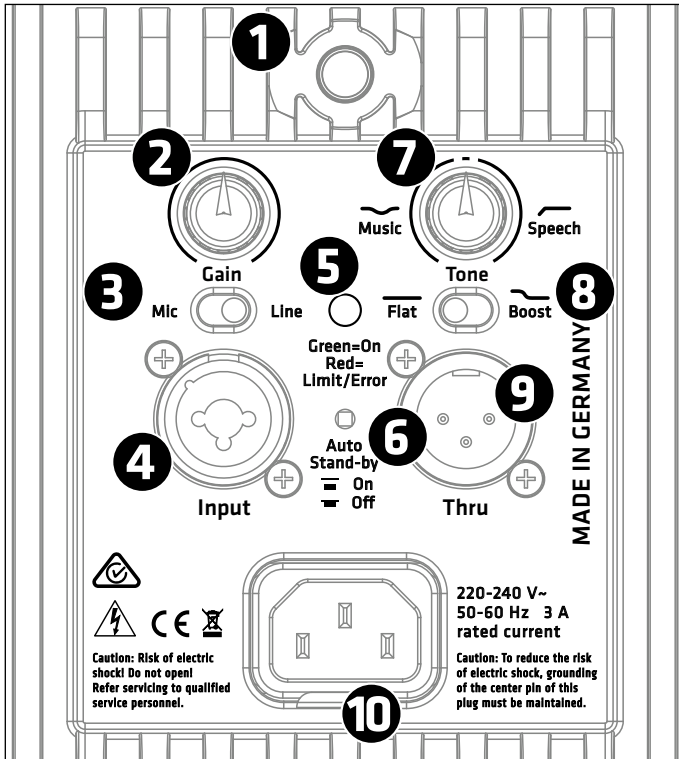
HK AUDIO

Technischer Service
Postfach 1509
66959 St. Wendel, Deutschland
Fax: +49 6851 905 100

1 PREMIUM PR:O Aktiv-Tops

PR:O 10 XD • PR:O 12 D • PR:O 12 XD • PR:O 15 D • PR:O 15 XD

1.1 Bedienelemente



1 Power

Power kennzeichnet den Ein-/Aus-Schalter für die PREMIUM PR:O Aktivmodelle. In eingeschaltetem Zustand leuchtet die Limiter/Status-LED grün.

2 Gain

Über den Gain-Regler wird die Empfindlichkeit des Inputs an den Eingangspiegel angepasst.

Lautstärkeanpassung mit dem Gain-Regler:

Die Gain-Position +4 dBu (Centerclick) ist hierbei der Ausgangspunkt für ein werkseitig ausgewogenes Top/Sub-Pegelverhältnis. Passen Sie bei Bedarf mit dem Gain-Regler das Pegelverhältnis zwischen Topteil und Subwoofer(n) für eingehende Line-Signale an.

3 Wahlschalter Mic/Line

Bei Anschluss eines Mikrofons, optimieren Sie mit der Schalterstellung „Mic“ die Eingangsempfindlichkeit. Sie wird dabei um 30 dB erhöht. Wählen Sie die Schalterstellung „Line“ für eine Line-Level-Quelle wie Mischpult, Audio-Zuspieler oder elektronische Musikinstrumente.

4 Input

Elektronisch symmetrierte, kombinierte XLR-/Klinkenbuchse für das Eingangssignal (Pin 1= Ground, 2= +, 3= -).

5 Limiter/Status-LED

Die zweifarbige LED zeigt den Status der PREMIUM PR:O Aktivbox an (Grün = Power On, Rot = Limit/Fehler). Ein kurzzeitiges, rotes Aufleuchten der LED zeigt das Arbeiten des Limiters bei Pegelspitzen an.

Achtung! Leuchtet die Status-LED während des Betriebs dauerhaft rot, wird das System überlastet. Reduzieren Sie den Eingangspegel! Wenn kein Eingangssignal anliegt und die Status-LED dauerhaft rot leuchtet, liegt ein Fehler vor.

6 Auto Stand-by

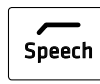
Die Topteile der PREMIUM PR:O verfügen über eine Energiespar-Funktion, die ein- und ausgeschaltet werden kann. Bei Stellung „On“ schaltet die Endstufe – sofern etwa 4 Stunden kein Signal anliegt – in den Ruhezustand (Verbrauch <0,5 Watt). Um die PREMIUM PR:O wieder in den Betriebszustand zu versetzen, schalten Sie die Lautsprecherbox über den Power-Schalter für fünf Sekunden aus und anschließend wieder ein. Auto Stand-by auf „off“ deaktiviert diese Funktion und die Topteile bleiben dauerhaft in Betrieb.

7 Tone

Der Tone-Regler passt den Frequenzgang an den jeweiligen Anwendungsfall an. Auf Mittelstellung verhalten sich die Filter neutral.



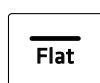
Drehen nach links in Richtung „Music“ bewirkt eine breitbandige Absenkung des Mittenbereichs (Centerfrequenz bei 2,5 kHz, bis zu -6 dB) und nimmt damit dem Klang die Schärfe. Die Gesamtlautstärke wird dadurch nicht beeinträchtigt.



Drehen nach rechts in Richtung „Speech“ aktiviert einen Low-Cut (von 80 – 200 Hz), das sorgt für Klarheit bei Sprachanwendungen und verringert die Übertragung von Trittschall.

Die „X“-Modelle (PR:O 10 XD, PR:O 12 XD, PR:O 15 XD) sind zusätzlich auf eine rückkopplungs- und verzerrungsarme Wiedergabe bei hohen Lautstärken abgestimmt.

8 Wahlschalter Flat/Boost



Bei Schalterstellung „Flat“ wird der Frequenzgang auf eine lineare Wiedergabe optimiert und ist damit ideal für Live-Anwendungen und den Betrieb mit Subwoofern.



Die „Boost“-Funktion verleiht dem Klang mehr Bass-Präsenz. Sie unterstützt mit einer breitbandigen Anhebung den Kickbass-Bereich zwischen 70 Hz – 80 Hz und erweitert die Tiefton-Wiedergabe.

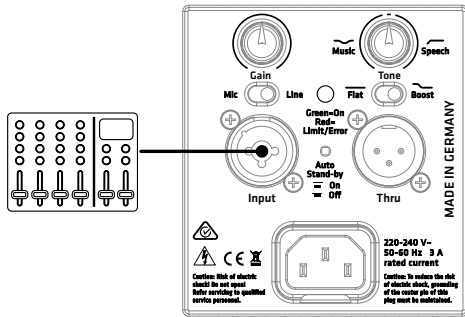
9 Thru

Passiver paralleler Ausgang zur Weiterleitung des in die Input-Buchse eingespeisten Signals (Pin 1= Ground, 2= +, 3= -).

10 Mains

Verbinden Sie diese Anschlussbuchse mittels des mitgelieferten Netzkabels mit der Netzsteckdose.

1.2 Anschlüsse und Verkabelung



- Für eine Stand-Alone- oder Monitor-Anwendung der PREMIUM PR:O Lautsprecherbox im Betrieb ohne Subwoofer schließen Sie das vom Mischpult (Monitor Out, Line Out o.ä.) oder Mikrofon kommende Signal über ein symmetrisches XLR/Klinkenkabel an die Input-Buchse an.
- In Verbindung mit aktiven Subwoofern der PREMIUM PR:O Serie verbinden Sie den Line Out Mid/High des Subwoofers mittels XLR-Kabel mit der Input-Buchse des Topteils.
- Zum Durchschleifen des am Input anliegenden Signals verwenden Sie ein XLR-Kabel an der Thru-Buchse.

Anschlussbeispiele zur Verkabelung finden Sie ab Seite 18.

1.3 Inbetriebnahme

- Achten Sie darauf, dass die PREMIUM PR:O ausgeschaltet ist.

Achtung! Achten Sie darauf, dass die Spannungsangabe auf der PREMIUM PR:O der örtlichen Netzspannung entspricht. Der Anschluss an eine falsche Netzspannung kann die Elektronik dieser Aktivbox zerstören.

- Achten Sie beim Anschluss eines Line-Signals darauf, dass alle übrigen angeschlossenen Komponenten schon vorher in Betrieb sind. Sowohl das angeschlossene Mischpult als auch alle mit ihm verbundenen Signalquellen wie Keyboards, Instrumentalverstärker, Effekte usw. sollten eingeschaltet sein. Die PREMIUM PR:O sollte immer zuletzt, d.h. nach allen anderen Komponenten, eingeschaltet, und zuerst, d.h. vor allen angeschlossenen Geräten, ausgeschaltet werden.
- Nach dem Einschalten mit dem Power-Schalter läuft der Lüfter kurz an (Systemcheck) und stoppt nach ca. 5 Sekunden. Ab diesem Zeitpunkt erfolgt die Lüftersteuerung durch die Elektronik der Box. Der Lüfter geht nur bei sehr hohen Lautstärken in Betrieb und wird temperaturabhängig geregelt. Während des Systemchecks leuchtet die Status-LED rot. Sie wird grün, wenn kein Fehler vorliegt und Netzspannung anliegt.
- Die Default-Einstellung des Gain-Reglers ist auf Mittelposition (+4 dBu/Centerclick). Grundsätzlich ist bei der Benutzung eines Mischpults zur Ansteuerung der PREMIUM PR:O diese Pegelstellung zu bevorzugen. Falls Sie direkt einen CD-Player oder z.B. ein Keyboard anschließen, kann je nach Signalstärke die Eingangsempfindlichkeit über den Gain-Regler angepasst werden.

Achtung! Drehen Sie ggf. den Gain-Regler zurück (Linksanschlag), wenn die Eingangsempfindlichkeit des Inputs von „Line“ auf „Mic“ umgeschaltet werden soll.

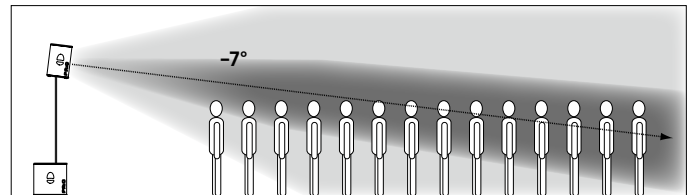
- Falls Verzerrungen oder Übersteuerungen auftreten, überprüfen Sie die Signalquellen und reduzieren Sie nach Möglichkeit dort das Ausgangssignal.

1.4 Ausrichtung

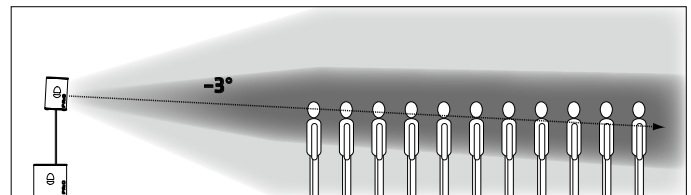
DuoTilt™ 3/7

Mit dem HK Audio DuoTilt 3/7 können die PREMIUM PR:O Lautsprecherboxen auf einem Stativ, sowie einer Distanzstange vertikal ausgerichtet werden. Dadurch können störende Reflexionen an der Decke vermieden bzw. verringert werden. Beim Verwenden der vorderen Flanschöffnung im DuoTilt beträgt der Neigungswinkel 7°, bei der hinteren 3°.

Als Faustformel gilt: Bei einer Platzierung der Lautsprecherboxen in der Nähe der Zuhörer und z.B. mittels Stativen erhöht auf der Bühne oder bei sitzendem Publikum ist ein Anwinkeln von 7° ratsam. Somit ist eine homogenere Schallverteilung, insbesondere im Hochtobereich, bis unmittelbar vor die Lautsprecherboxen gewährleistet.



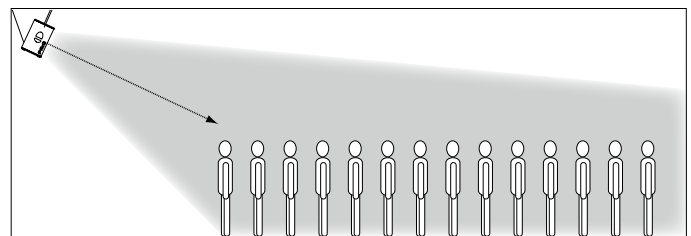
Soll eine größere Anzahl an Zuhörern beschallt werden, die sich weiter entfernt von den Lautsprecherboxen befinden, sollten Sie den 3°-Winkel des DuoTilt nutzen.



In beiden Situationen kann über die Aufstellhöhe der Lautsprecherboxen eine Reichweitenanpassung vorgenommen werden. Eine höhere Position, bedeutet eine höhere Wurfweite.

Flugpunkte

Jedes PREMIUM PR:O-Modell bietet drei einglassene M8-Flugpunkte. Dies ermöglicht die „geflogene“ Installation der Lautsprecherbox an Stahlseilen oder Ketten mit einer Neigung von 0° bis max. 45°. Bestimmen Sie den Grad der Neigung bei Befestigungen z.B. an einer Truss über den hinteren Anschlagpunkt.

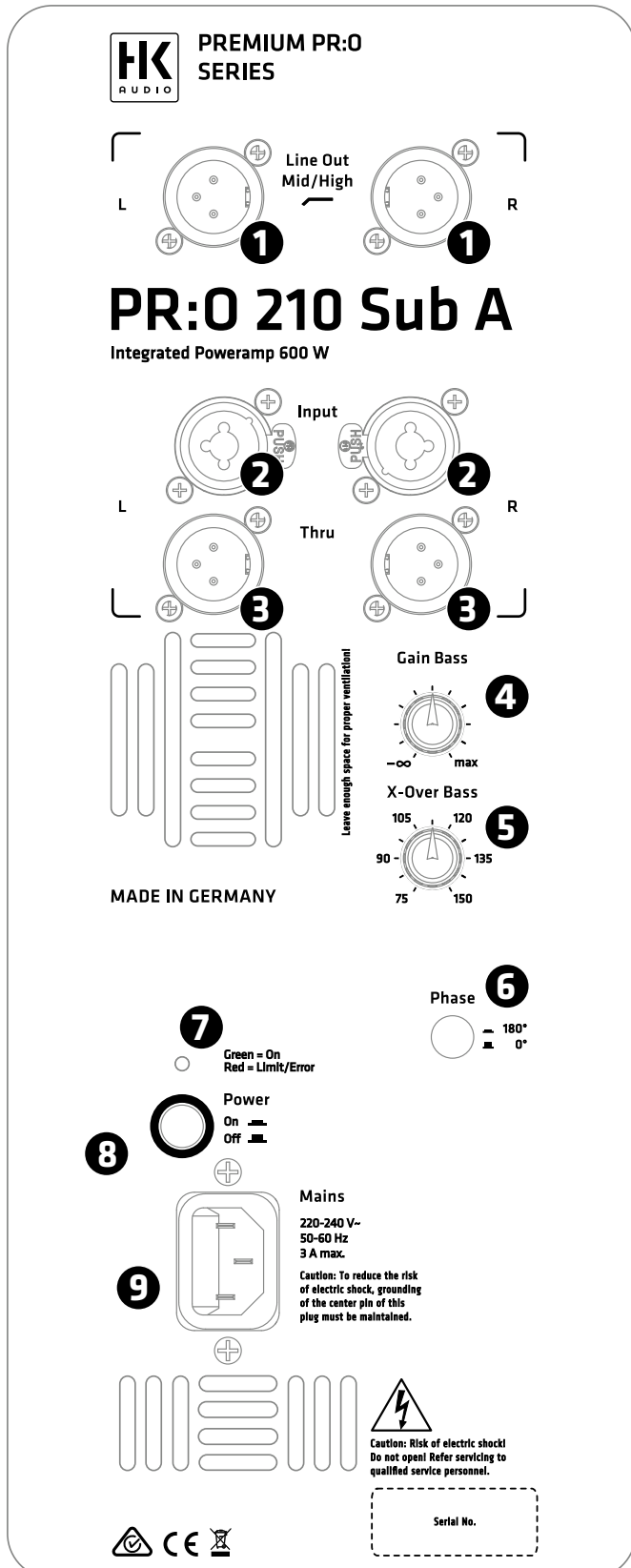


Wir empfehlen als Übergangspunkt zwischen Lautsprecherbox und Montage material unsere sicheren AP-8 Anschlagpunkte.

2 PREMIUM PR:O Aktiv-Subwoofer

PR:O 18 Sub A • PR:O 210 Sub A

2.1 Bedienelemente



1 Line Out Mid/High L/R

Zwei elektronisch symmetrierte XLR-Ausgangsbuchsen für den Anschluss von PREMIUM PR:O-Topteilen (Pin 1= Ground, 2= +, 3= -).

2 Input L/R

Zwei elektronisch symmetrierte, kombinierte XLR-/Klinke-Eingangsbuchsen für das Mischpult-Signal (Pin 1= Ground, 2= +, 3= -).

3 Thru L/R

Parallele Line-Ausgänge zur Weiterleitung des Line-Signals, z.B. an weitere PREMIUM PR:O-Aktivboxen oder Monitore (Pin 1= Ground, 2= +, 3= -).

4 Gain Bass

Mit diesem Regler wird der Eingangspegel angepasst (Mittelstellung = 0 dBV). Im Betrieb mit aktiver PREMIUM PR:O-Aktivbox ist die Mittelstellung der ideale Ausgangspunkt. Je nach Bedarf kann der Bassanteil durch Drehen des Reglers angehoben oder abgesenkt werden. In Verbindung mit angeschlossenen PREMIUM PR:O-Topteilen wird der Gain-Regler in der Mittelraasterung justiert. Von dort aus kann er je nach Beschallungssituation reduziert oder erhöht werden.

5 X-Over-Bass

Mit der aktiven Frequenzweiche kann die obere Eckfrequenz des Subwoofers von 75 Hz bis 150 Hz variiert werden. Da sich die optimale Position je nach räumlicher Umgebung und Benutzung der Toppteile ändern kann, empfehlen wir an dieser Stelle keinen festgesetzten Wert.

Hinweis: Unterhalb von 100 Hz überträgt der Subwoofer hauptsächlich Signale von Bass, Bass-Drum und sehr tiefen Keyboardsounds. Das Ändern der Trennfrequenz des Subwoofers bewirkt im Bereich oberhalb 100 Hz auch die Verstärkung tiefer Frequenzen von Stimmen und anderer Klangerzeuger.

6 Phase

Mit dem Phasen-Schalter kann der Sub-Bass auf die Phasenlage der angeschlossenen Toppteile angepasst werden (0°-180°). Im Betrieb mit PREMIUM PR:O-Topteilen wird der Schalter beim PR:O 18 Sub A auf 0° eingestellt.

Beim PR:O 210 SUB A muss die Phase um 180° gedreht werden, damit PREMIUM PR:O-Toppteile und Subwoofer in Phase laufen.

Beim Betrieb mit anderen Lautsprechern ist unter Umständen ein Drehen um 180° erforderlich. Falls Sie sich nicht sicher sind, probieren Sie es einfach aus. Verändert sich der Bass-Sound und wirkt drucklos und undifferenziert, ist die Phase falsch eingestellt.

7 Limiter/Status-LED

Die zweifarbige LED zeigt den Status der PREMIUM PR:O Aktivbox an (Grün = Power On, Rot = Limit/Fehler). Ein kurzzeitiges, rotes Aufleuchten der LED zeigt das Arbeiten des Limiters bei Pegelspitzen an.

Achtung! Leuchtet die Status-LED während des Betriebs dauerhaft rot, wird das System überlastet. Reduzieren Sie den Eingangspegel! Wenn kein Eingangssignal anliegt und die Status-LED dauerhaft rot leuchtet, liegt ein Fehler vor.

8 Power-Schalter

Power kennzeichnet den Ein-/Aus-Schalter für die PREMIUM PR:O Aktivmodelle. In eingeschaltetem Zustand leuchtet die Limiter/Status-LED grün.

9 Mains Input

Verbinden Sie diese Anschlussbuchse mittels des mitgelieferten Netzkabels mit der Netzsteckdose.

Hinweis: Alle PREMIUM PR:O Aktiv-Subwoofer sind mit verriegelbaren V-Lock Netzeingangsbuchsen ausgestattet. In Kombination mit einem verriegelbaren Anschlusskabel („Volex“ oder baugleich, optional erhältlich) kann das Netzkabel arretiert werden und so gegen versehentliches Herausrutschen gesichert werden.

2.2 Anschlüsse und Verkabelung

Schließen Sie die von Ihrem Mischpult kommenden Signale (Monitor Out, Line Out o.ä.) über ein symmetrisches XLR/Klinkenkabel an die Input-Buchse an. Verbinden sie die anzuschließenden Aktiv-Toppteile über die XLR-Ausgänge „Line Out Mid/High“. Zum Weiterschleifen des Fullrange-Signals auf andere Boxen nutzen Sie die beiden Thru-Buchsen. Die Belegung der XLR-Stecker muss dabei wie folgt sein: 1= Ground, 2= +, 3= -.

2.3 Inbetriebnahme

- Achten Sie darauf, dass die Aktivbox ausgeschaltet ist.

Achtung! Achten Sie darauf, dass die Spannungsangabe auf der Rückseite der PREMIUM PR:O Aktivbox der Netzspannung entspricht. Der Anschluss an eine falsche Netzspannung kann die Elektronik der PREMIUM PR:O Aktivbox zerstören.

- Drehen Sie die Gain-Regler auf Anschlag links.

Achten Sie darauf, dass alle übrigen angeschlossenen Komponenten (z.B. Mischpult) schon vorher in Betrieb sind. Sowohl das angeschlossene Mischpult als auch alle mit ihm verbundenen Signalquellen wie Keyboards, Instrumentalverstärker, Effekte usw. sollten eingeschaltet sein. PREMIUM PR:O-Aktivboxen sollten immer am „Line Out Mid/High“ angeschlossen und nach allen anderen Komponenten eingeschaltet werden. Beim Ausschalten bitte zuerst die Lautsprecher abdrehen (Gain nach links drehen) und vor allen angeschlossenen Geräten ausschalten.

Nach dem Einschalten mit dem Power-Schalter läuft der Lüfter kurz an (Systemcheck) und geht nach ca. 5 Sekunden aus. Der Lüfter ist temperaturgesteuert und geht nur bei sehr hohen Lautstärken in Betrieb und regelt sich temperaturabhängig.

- Die Limiter/Status-LED leuchtet grün, wenn Spannung anliegt.

Drehen Sie den Gain-Regler in die Mitte (= 0 dBV). Wenn Sie ein Mischpult zur Ansteuerung der PREMIUM PR:O-Aktivbox benutzen, ist diese Pegelstellung zu bevorzugen. Bei Bedarf können sie den Eingangspegel mit Hilfe des Gain-Reglers um 6 dB erhöhen. Die Limiter/Staus-LED sollte hierbei nicht permanent rot aufleuchten, um das bestmögliche Ergebnis zu erzielen

2.4 Einstellungen

Lautstärkeanpassung mit dem Gain-Regler

Passen Sie mit diesem Regler das Eingangssignal für Line-Signale an.

Falls Verzerrungen oder Übersteuerungen auftreten, überprüfen Sie die Signalquellen und reduzieren Sie nach Möglichkeit dort das Ausgangssignal. Lässt sich das zur PREMIUM PR:O-Aktivbox führende Signal auf diese Weise nicht verändern, passen Sie es mit dem Gain-Regler an (Reduzieren des Eingangspegels).

3 Tipps und Tricks

1 Lassen Sie keine Feuchtigkeit an die Elektronik kommen! Achten Sie beim Einsatz im Freien darauf, dass Ihr System vor Regen geschützt aufgestellt wird. Softdrinks, Bier oder andere Flüssigkeiten dürfen nicht an die Elektronik gelangen, da dies zu Kurzschlüssen führen kann.

2 PREMIUM PR:O-Aktivboxen sorgen für optimalen Sound - sorgen Sie für das optimale Eingangssignal! Brummen ist in den meisten Fällen das Resultat defekter Kabel, falscher Kabel oder unsymmetrischer Eingangssignale am Mischpult. Überprüfen Sie alle Signal- und Netzkabel.

3 Vermeiden Sie Verzerrungen! Verzerrungen sind nicht nur unangenehm für die Ohren der Zuhörer, sie sind auch gefährlich für Ihre Anlage. Achten Sie darauf, dass alle direkt und indirekt an PREMIUM PR:O-Aktivboxen angeschlossenen Komponenten über genügend Leistung verfügen und niemals Verzerrungen produzieren, weil sie am maximalen Limit betrieben werden. Sorgen Sie für ein sauberes Audiosignal.

4 Vermeiden Sie Brummschleifen! Auch trotz symmetrischer Signalführung kann innerhalb eines Audio-Systems ein unangenehmer Brummtönen entstehen, beispielsweise dann, wenn das Mischpult über das Netzkabel geerdet und nicht auf dem gleichen Stromkreis wie der PREMIUM PR:O-Aktivboxen hängt. Durch die dann doppelt bestehende Masse-Erdverbindung kann es zu einer sogenannten „Brummschleife“ kommen. Schließen Sie deshalb stets PREMIUM PR:O-Aktivboxen und Mischpult an den gleichen Stromkreis (gleiche Phase!) an.

ACHTUNG! Nie die Masse am Stecker abkleben – (Lebensgefahr!)

4 Fehlerbehebung

Die Limiter/Status-LED leuchtet beim Einschalten nicht auf.

- Überprüfen Sie, ob das Netzkabel am Mains-Input angeschlossen ist.
- Vergewissern Sie sich, dass das Netz Spannung führt.

Die Limiter/Status-LED leuchtet rot auf (Flackern).

- Der Limiter arbeitet, reduzieren Sie gegebenenfalls den Eingangspegel.

Die Limiter/Status-LED leuchtet dauerhaft rot auf, es kommt kein Ton aus der Box.

- Die Schutzschaltung der Box wurde aktiviert. Bitte kontaktieren Sie Ihren Fachhändler.

Die Musikwiedergabe scheint verzerrt zu sein.

- Überprüfen Sie die LED-Anzeigen an Ihrem Mischpult. Sie sollten sich nicht ständig im roten Bereich befinden. Nehmen Sie gegebenenfalls die Lautstärke am Mischpult zurück.
- Sind die LED-Anzeigen an Ihrem Mischpult im grünen Bereich, drehen Sie den Gain-Regler am PREMIUM PR:O-Aktivlautsprecher zurück.
- Beobachten Sie die Limiter/Status-LED des PREMIUM PR:O-Aktivlautsprechers. Diese sollten nur kurz rot aufleuchten. Keinesfalls sollten Sie ohne Unterbrechung rot aufleuchten. In diesem Fall drehen Sie die entsprechenden Gain-Regler zurück.

5 Anwendungen

Anschlussbeispiele zur Verkabelung finden Sie ab Seite 18.

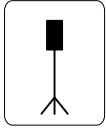
6 Technische Daten

Modell	PR:O 10 XD	PR:O 12 D
Max SPL	122 dB Halfspace*	124 dB Halfspace*
Max SPL peak	131 dB Halfspace*	132 dB Halfspace*
Max SPL calculated	133 dB Halfspace	133 dB Halfspace
Frequenzgang +/- 3 dB	81 Hz - 16 kHz	72 Hz - 16 kHz
Frequenzgang -10 dB	69 Hz - 18 kHz	62 Hz - 18 kHz
Gesamtleistung	1200 W	1200 W
Endstufen	Class D - Biamped	Class D - Biamped
Aktive Schutzschaltungen	Peak- und RMS-Sound-Limiter (jeweils für HF und LMF getrennt)	Peak- und RMS-Sound-Limiter (jeweils für HF und LMF getrennt)
Basslautsprecher		
Tief/ Mitteltonlautsprecher	1x 10"	1x 12"
Hochtontreiber	1"	1"
Horncharakteristik	90° x 55° CD-Horn	90° x 55° CD-Horn
Trennfrequenz aktiv	2,5 kHz FIR X-Over mit 48 dB/Okt.	2,5 kHz FIR X-Over mit 48 dB/Okt.
Anschlüsse	1x XLR/Klinke-Kombi In, symm., 1x XLR-Through	1x XLR/Klinke-Kombi In, symm., 1x XLR-Through
Klangregelung	Tone-Regler (Music/Speech), Bass-Boost	Tone-Regler (Music/Speech), Bass-Boost
Aufstellwinkel	35°	
Hochständerflansch	DuoTilt 3/7	DuoTilt 3/7
Flugpunkte	3x M8	3x M8
Griffe	1, integriert	2, integriert
Rollen		
Gehäuse	MDF	MDF
Frontgitter	2 mm Metallgitter mit schwarzem Akustikschaumstoff	2 mm Metallgitter mit schwarzem Akustikschaumstoff
Oberfläche	Acryllack, schwarz	Acryllack, schwarz
Optionales Zubehör	Schutzhüllen, Satellite Add-on	Schutzhüllen, Satellite Add-on
Abmessungen (BxHxT)	38 x 49 x 29 cm	39 x 57 x 36 cm
Gewicht	13,2 kg / 29,1 lbs.	18,7 kg / 41,2 lbs.

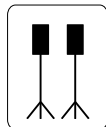
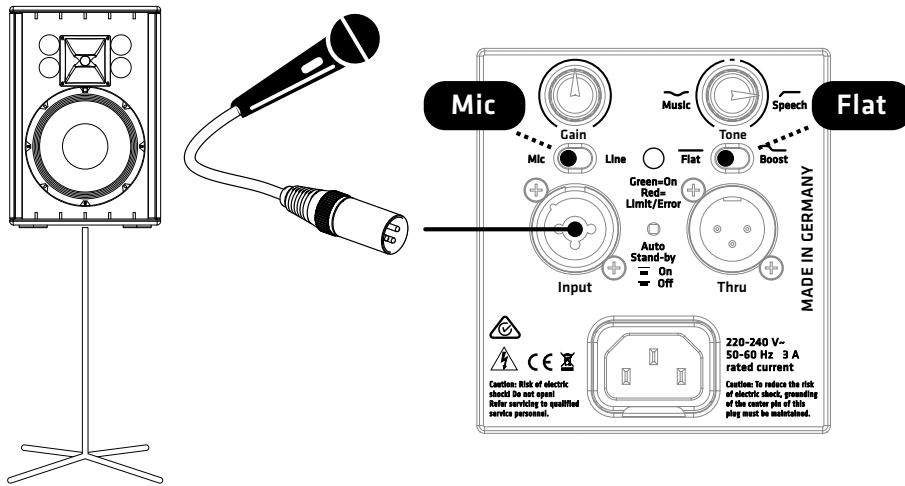
*@10% THD

PR:0 12 XD	PR:0 15 D	PR:0 15 XD	PR:0 18 SUB A	PR:0 210 SUB A
124 dB Halfspace*	125 dB Halfspace*	125 dB Halfspace*	125 dB Halfspace*	123 dB Halfspace*
132 dB Halfspace*	130 dB Halfspace*	130 dB Halfspace*	127 dB Halfspace*	126 dB Halfspace*
133 dB Halfspace	133 dB Halfspace	133 dB Halfspace	127 dB Halfspace	126 dB Halfspace
80 Hz – 16 kHz	60 Hz – 16 kHz	61 Hz – 16 kHz	48 Hz – X-Over	60 Hz – 150 Hz
69 Hz – 18 kHz	54 Hz – 18 kHz	57 Hz – 18 kHz	38 Hz – X-Over	40 Hz – 150 Hz
1200 W	1200 W	1200 W	600 W	600 W
Class D - Biamped	Class D - Biamped	Class D - Biamped	Class D	Class D
Peak- und RMS-Sound-Limiter (jeweils für HF und LMF getrennt)	Peak- und RMS-Sound-Limiter (jeweils für HF und LMF getrennt)	Peak- und RMS-Sound-Limiter (jeweils für HF und LMF getrennt)	Subsonic-Filter, Peak-Limiter	Subsonic-Filter, Peak-Limiter
			1x 18"	2x 10"
1x 12"	1x 15"	1x 15"		
1"	1"	1"		
90° x 55° CD-Horn	90° x 55° CD-Horn	90° x 55° CD-Horn		
2,5 kHz FIR X-Over mit 48 dB/Okt.	2,5 kHz FIR X-Over mit 48 dB/Okt.	2,5 kHz FIR X-Over mit 48 dB/Okt.	75 Hz – 150 Hz, wählbar	75 Hz – 150 Hz, wählbar
1x XLR/Klinke-Kombi In, symm., 1x XLR-Through	1x XLR/Klinke-Kombi In, symm., 1x XLR-Through	1x XLR/Klinke-Kombi In, symm., 1x XLR-Through	2x XLR/Klinke-Kombi In, symm., 2x XLR L/R Out Mid/High, 2x XLR Through	2x XLR/Klinke-Kombi In, symm., 2x XLR L/R Out Mid/High, 2x XLR Through
Tone-Regler (Music/Speech), Bass-Boost	Tone-Regler (Music/Speech), Bass-Boost	Tone-Regler (Music/Speech), Bass-Boost		
33°		42°		
DuoTilt 3/7	DuoTilt 3/7	DuoTilt 3/7	1x M20	2x M20
3x M8	3x M8	3x M8		
2, integriert	2, integriert	2, integriert	2, integriert	2, integriert
			optional 100 mm	
MDF	MDF	MDF	MDF	MDF
2 mm Metallgitter mit schwarzem Akustik-schaumstoff	2 mm Metallgitter mit schwarzem Akustik-schaumstoff	2 mm Metallgitter mit schwarzem Akustik-schaumstoff	2 mm Metallgitter mit schwarzem Akustik-schaumstoff	2 mm Metallgitter mit schwarzem Akustik-schaumstoff
Acryllack, schwarz	Acryllack, schwarz	Acryllack, schwarz	Acryllack, schwarz	Acryllack, schwarz
Schutzhüllen, Satellite Add-on	Schutzhüllen, Satellite Add-on	Schutzhüllen, Satellite Add-on	Schutzhüllen, Satellite Add-on	Schutzhüllen, Satellite Add-on
40 x 59 x 31 cm	47 x 62 x 42 cm	47 x 62 x 45 cm	53 x 61 x 64 cm	36 x 61 x 53 cm
16,3 kg / 35,9 lbs.	23,7 kg / 52,3 lbs.	22,6 kg / 49,8 lbs.	39,8 kg / 87,8 lbs.	27,2 kg / 60,0 lbs.

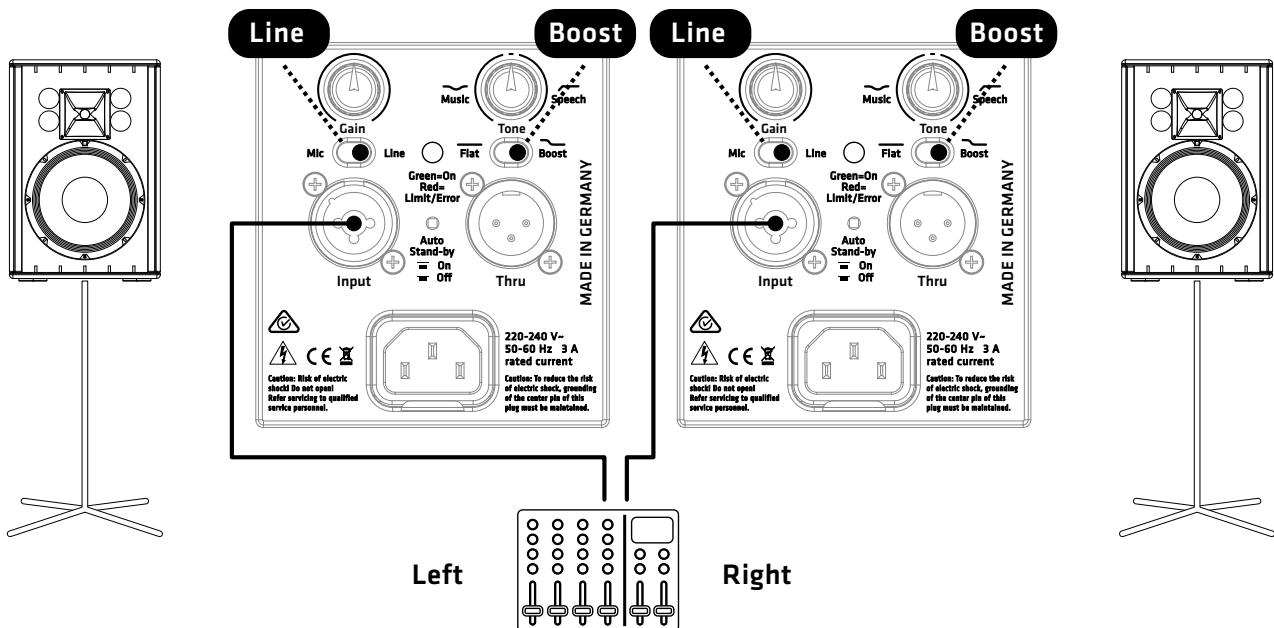
Application Samples

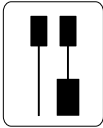


Mono Fullrange/Monitor System

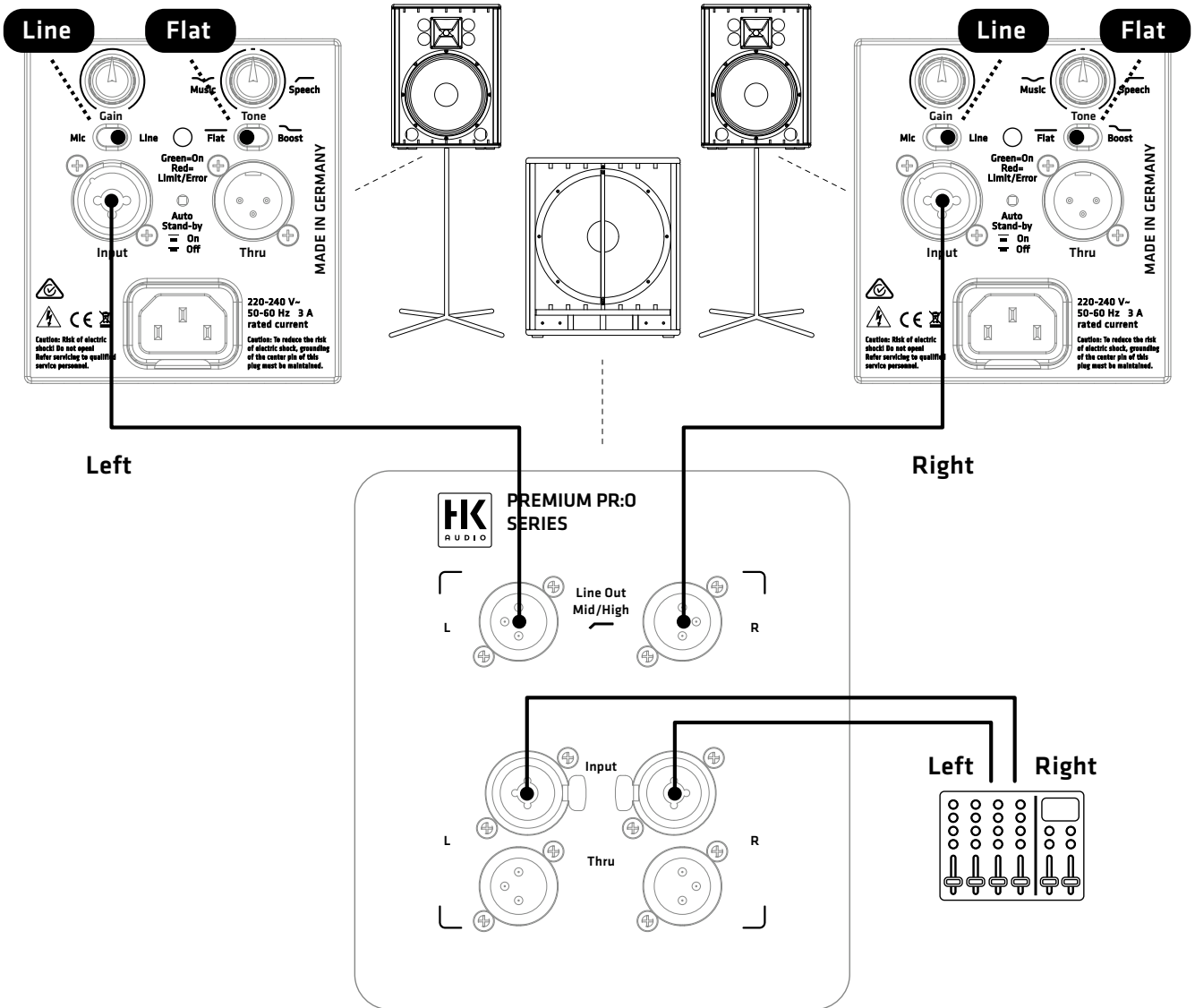


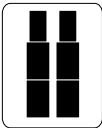
Stereo Fullrange System



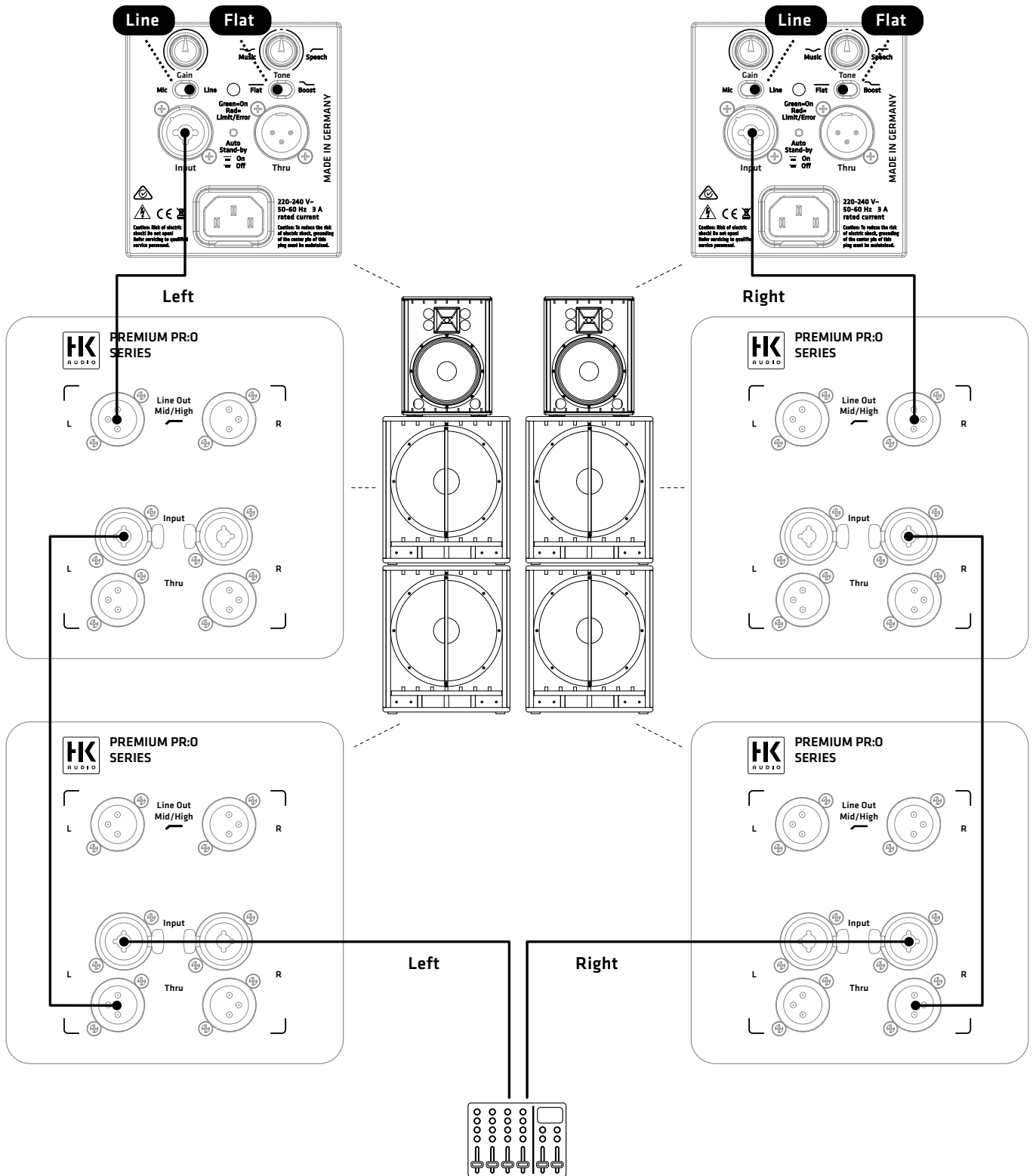


2.1 System





Fullstack System



• Application Samples

PREMIUM PR:0



HK Audio® • Postfach 1509 • 66595 St. Wendel • Germany • info@hkaudio.com • www.hkaudio.com
International Inquiries: fax +49-68 51-905 215 • international@hkaudio.com

Subject to change without notice • Technische Änderungen vorbehalten
Copyright 2016 Music & Sales GmbH • 03/2016