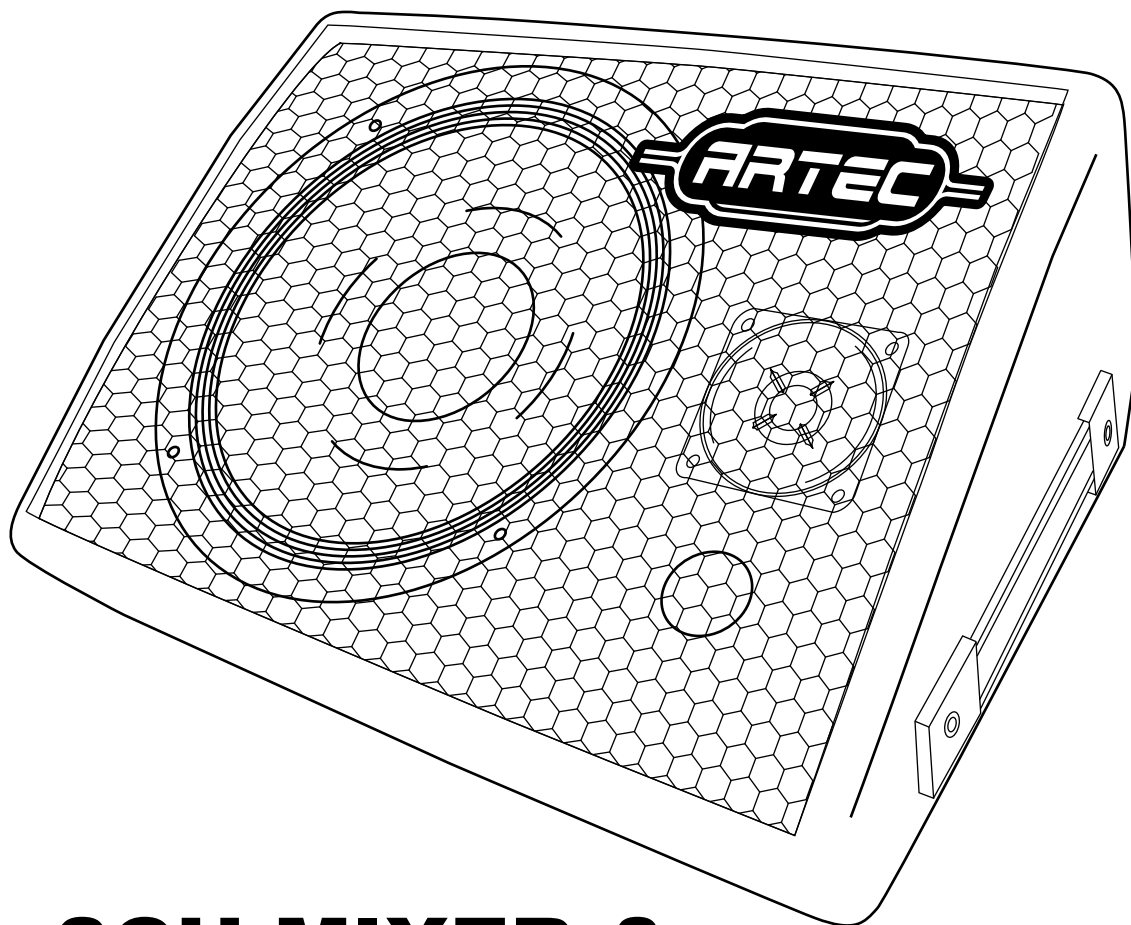


# PMA3 MIXING MONITOR SYSTEM

**PMA3-10, PMA3-8, PMD3-8**



## **3CH MIXER & POWERED MONITOR**



**XLR**



**RCA**



**BAL/UNBAL**



**3CH  
MIXER**



**STAND  
ACCESS**



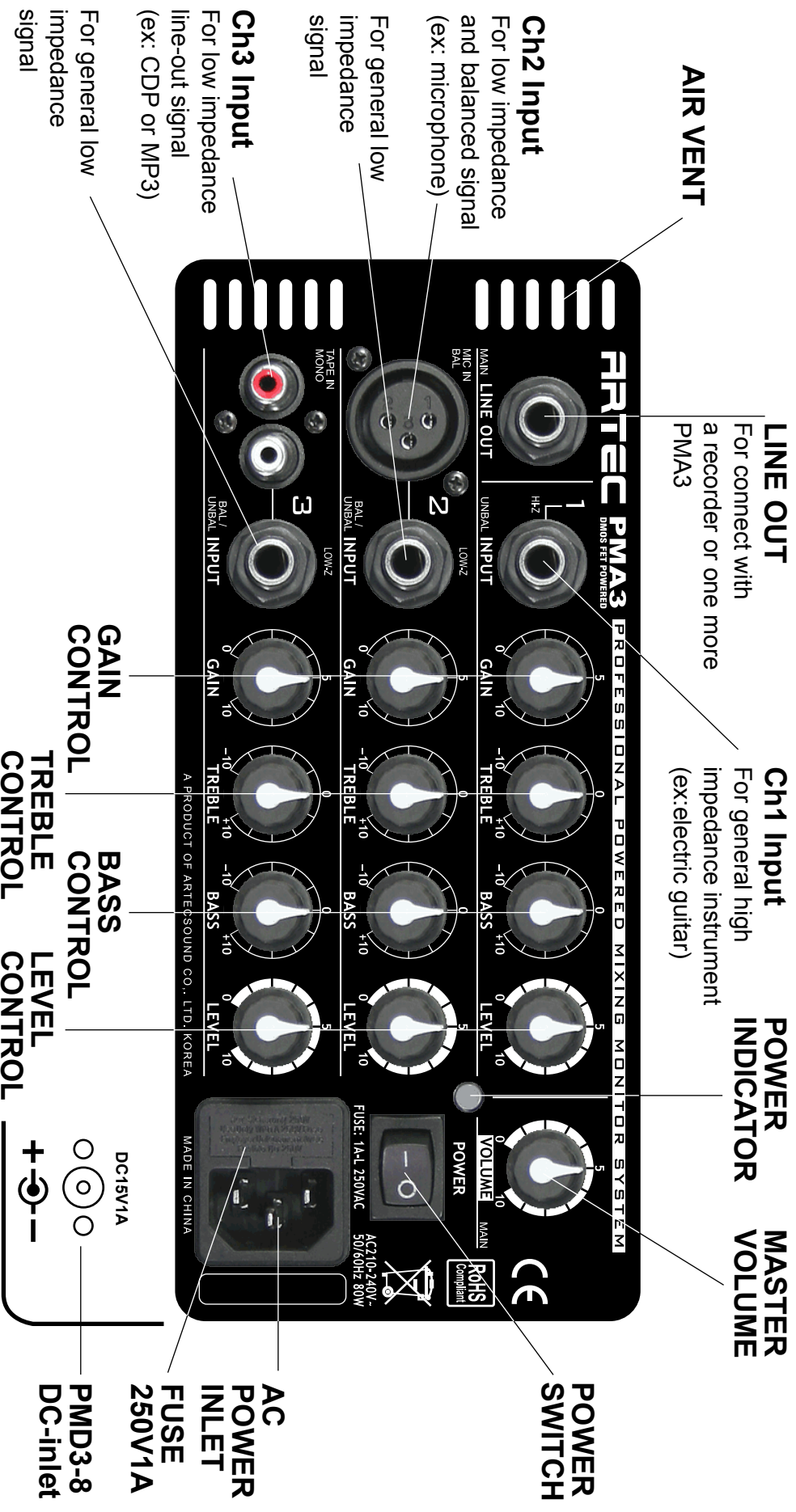
**EQ**  
- GAIN  
- TREBLE  
- BASS



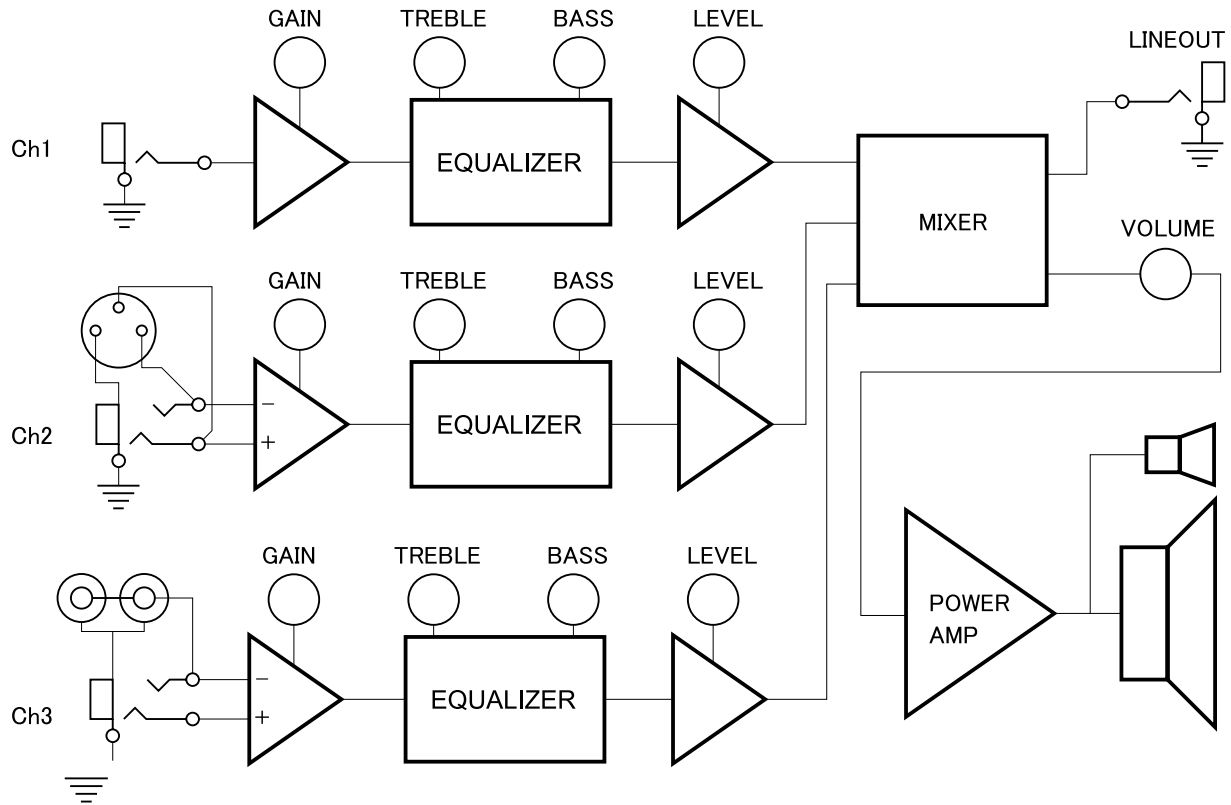
**FULL RANGE**

# ARTEC

# CONTROL PANEL



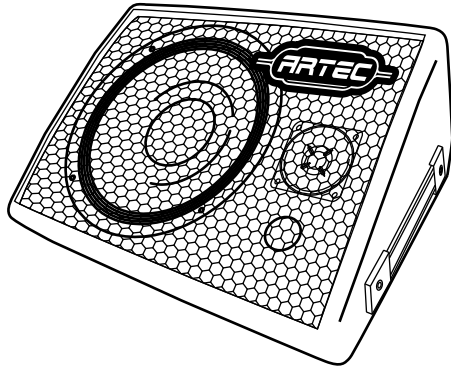
# PMA3 BLOCK DIAGRAM



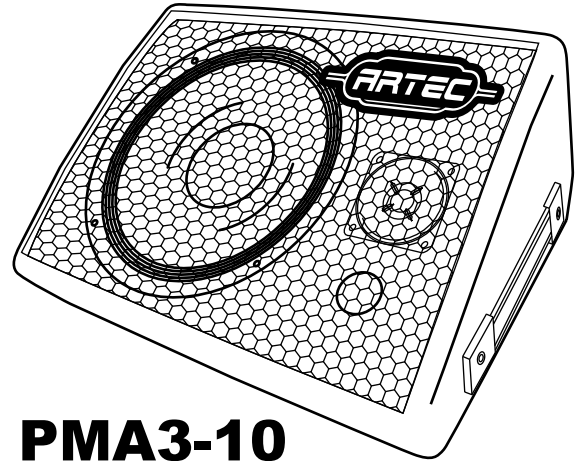
## IMPORTANT SAFETY INSTRUCTIONS

- DO NOT OPERATE NEAR ANY HEAT SOURCE AND DO NOT BLOCK ANY VENTILATION OPENINGS ON THIS APPARATUS.
- ONLY CONNECT POWER CORD TO A POLARIZED, SAFETY GROUNDED OUTLET WIRED TO CURRENT ELECTRICAL CODES AND COMPATIBLE WITH VOLTAGE, POWER, AND FREQUENCY REQUIREMENTS STATED ON THE REAR PANEL OF THE APPARATUS.
- ONLY USE ATTACHMENTS, ACCESSORIES, STANDS, OR BRACKETS SPECIFIED BY THE MANUFACTURER FOR SAFE OPERATION AND TO AVOID INJURY.
- WARNING: TO REDUCE THE RISK OF ELECTRIC SHOCK OR FIRE, DO NOT EXPOSE THIS UNIT TO RAIN OR MOISTURE.
- SERVICE MUST BE PERFORMED BY QUALIFIED PERSONNEL.
- OUR AMPLIFIERS ARE CAPABLE OF PRODUCING HIGH SOUND PRESSURE LEVELS. CONTINUED EXPOSURE TO HIGH SOUND PRESSURE LEVELS CAN CAUSE PERMANENT HEARING IMPAIRMENT OR LOSS. USER CAUTION IS ADVISED AND EAR PROTECTION IS RECOMMENDED IF UNIT IS OPERATED AT HIGH VOLUME.

# SPECIFICATION



**PMA3-8, PMD3-8**



**PMA3-10**

200 x 360 x 310 (mm)	<b>DIMENSION</b>	250 x 440 x 380 (mm)
8 inch LF + 1 inch HF	<b>SPEAKER</b>	10 inch LF + 1 inch HF
PMA3-8: 25 watts music power PMD3-8: 20 watts music power	<b>OUTPUT</b>	35 watts music power
PMA3-8: 60W @ 230V50Hz PMD3-8: DC15V1A or 10 x AA size battery	<b>POWER</b>	80W @ 230V50Hz

	Input impedance	Max. input level	max. gain
Ch 1 1/4inch jack	500kohm	+8dBV	70dB
Ch 2 XLR jack	50kohm	+10dBV	60dB
Ch 2 1/4inch jack	50kohm	+10dBV	60dB
Ch 3 RCA jack	50kohm	+10dBV	60dB
Ch 3 1/4inch jack	50kohm	+10dBV	60dB

**- Equalizer (common)**

Bass : -10dB ~ +10dB @ 180Hz  
Treble : -10dB ~ +10dB @ 2kHz

**- Output frequency range**

50Hz ~ 12kHz

**- Lineout**

1/4inch jack  
output impedance : 2kohm

**- Stand Access Hole**

35mm (diameter)

