

Harley Benton

Powerplant Junior
power supply

Musikhaus Thomann
Thomann GmbH
Hans-Thomann-Straße 1
96138 Burgebrach
Germany
Telephone: +49 (0) 9546 9223-0
E-mail: info@thomann.de
Internet: www.thomann.de

16.10.2018, ID: 264101 (V2)

Table of contents

1	General notes	4
	1.1 Further information.....	5
	1.2 Symbols and signal words.....	6
2	Safety instructions	8
3	Installation and starting up	12
4	Components and functions	17
5	Technical specifications	19
6	Protecting the environment	20

1 General notes

This manual contains important instructions for the safe operation of the unit. Read and follow the safety instructions and all other instructions. Keep the manual for future reference. Make sure that it is available to all those using the device. If you sell the unit please make sure that the buyer also receives this manual.

Our products are subject to a process of continuous development. Thus, they are subject to change.


1.1 Further information


On our website (www.thomann.de) you will find lots of further information and details on the following points:

Download	This manual is also available as PDF file for you to download.
Keyword search	Use the search function in the electronic version to find the topics of interest for you quickly.
Online guides	Our online guides provide detailed information on technical basics and terms.
Personal consultation	For personal consultation please contact our technical hotline.
Service	If you have any problems with the device the customer service will gladly assist you.

1.2 Symbols and signal words

In this section you will find an overview of the meaning of symbols and signal words that are used in this manual.

Signal word	Meaning
DANGER!	This combination of symbol and signal word indicates an immediate dangerous situation that will result in death or serious injury if it is not avoided.
NOTICE!	This combination of symbol and signal word indicates a possible dangerous situation that can result in material and environmental damage if it is not avoided.
Warning signs	Type of danger
	Warning – high-voltage.

Warning signs	Type of danger
	Warning – danger zone.

2 Safety instructions

Intended use

This device transforms mains voltage into safety extra-low voltage, e.g. for the voltage supply of effects pedals. Use the device only as described in this user manual. Any other use or use under other operating conditions is considered to be improper and may result in personal injury or property damage. No liability will be assumed for damages resulting from improper use.

This device may be used only by persons with sufficient physical, sensorial, and intellectual abilities and having corresponding knowledge and experience. Other persons may use this device only if they are supervised or instructed by a person who is responsible for their safety.

Safety**DANGER!****Danger for children**

Ensure that plastic bags, packaging, etc. are disposed of properly and are not within reach of babies and young children. Choking hazard!

Ensure that children do not detach any small parts (e.g. knobs or the like) from the unit. They could swallow the pieces and choke!

Never let children unattended use electrical devices.

**DANGER!****Electric shock caused by high voltages inside**

Within the device there are areas where high voltages may be present. Never remove any covers.

There are no user-serviceable parts inside.

Do not use the device if covers, protectors or optical components are missing or damaged.



DANGER!

Electric shock caused by short-circuit

Always use proper ready-made insulated mains cabling (power cord) with a protective contact plug. Do not modify the mains cable or the plug. Failure to do so could result in electric shock/death or fire. If in doubt, seek advice from a registered electrician.



NOTICE!

Operating conditions

This device has been designed for indoor use only. To prevent damage, never expose the device to any liquid or moisture. Avoid direct sunlight, heavy dirt, and strong vibrations.



NOTICE!

Power supply

Before connecting the device, ensure that the input voltage (AC outlet) matches the voltage rating of the device and that the AC outlet is protected by a residual current circuit breaker. Failure to do so could result in damage to the device and possibly injure the user.

Unplug the device before electrical storms occur and when it is unused for long periods of time to reduce the risk of electric shock or fire.

3 Installation and starting up

Unpack and carefully check that there is no transportation damage before using the unit. Keep the equipment packaging. To fully protect the device against vibration, dust and moisture during transportation or storage use the original packaging or your own packaging material suitable for transport or storage, respectively.

Wiring

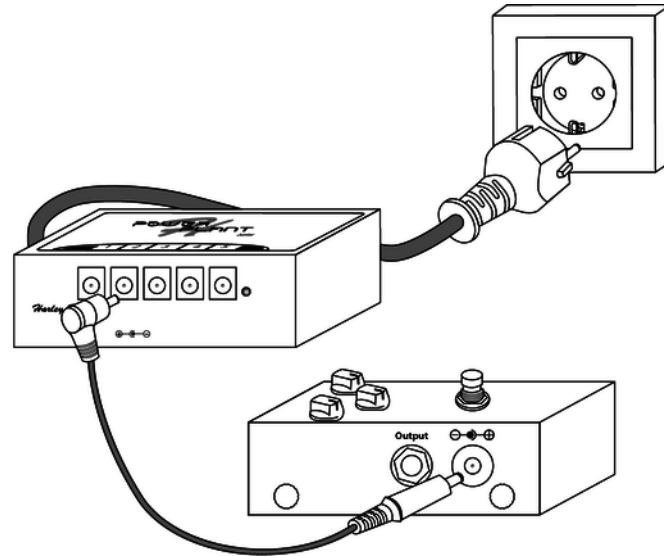
Make all connections when the device is not connected to the mains voltage. Use the supplied cables for all connections.

The following cable types are available:

- 5 standard cables (1:1), length 30 cm, each to supply one effects pedal
- 5 standard cables (1:1), length 60 cm, each to supply one effects pedal
- 1 Y-cable to supply one effects pedal that has a higher power consumption
- 1 serial cable to supply a maximum of 5 effects units from one 9 V outlet socket of the power supply unit

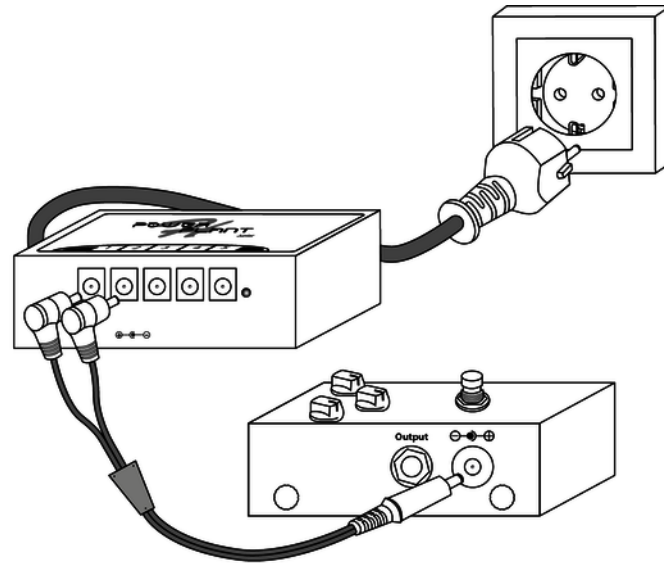
1:1-Wiring

Connect – as shown in the drawing – the plug of one of the standard cables to the 9 V power supply input of an effects pedal. Connect the other plug to a 9 V output socket of the power supply unit. In order to avoid an overload of the power supply, the current draw of each connected pedal must not exceed 120 mA.



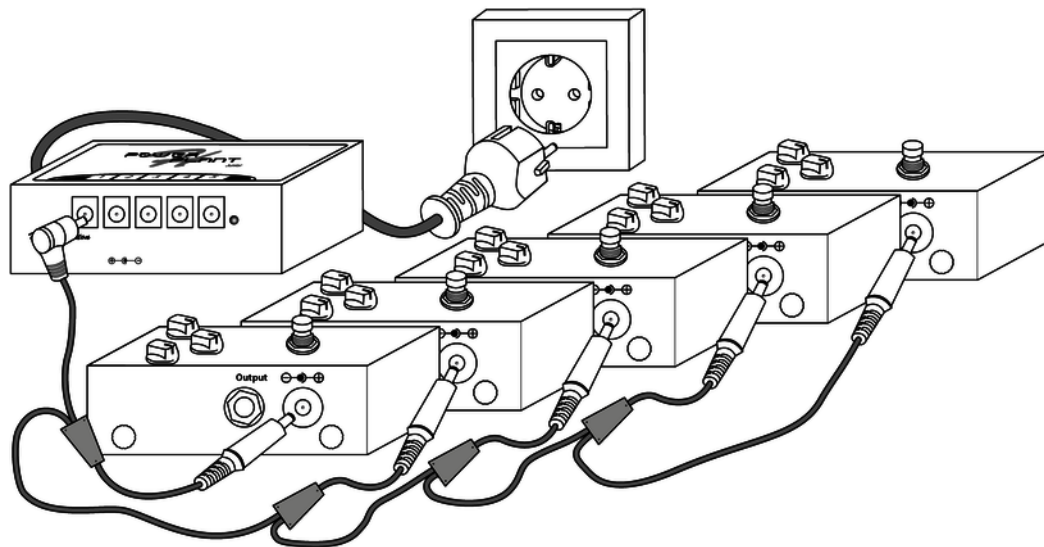
Y-cable for devices with higher current supply

Connect – as shown in the drawing – the single plug to the 9 V power supply input of an effects pedal. Connect the plug pair of the Y-cable to two 9 V output sockets of the power supply. In order to avoid an overload of the power supply the current draw of the connected pedal must not exceed 240 mA.

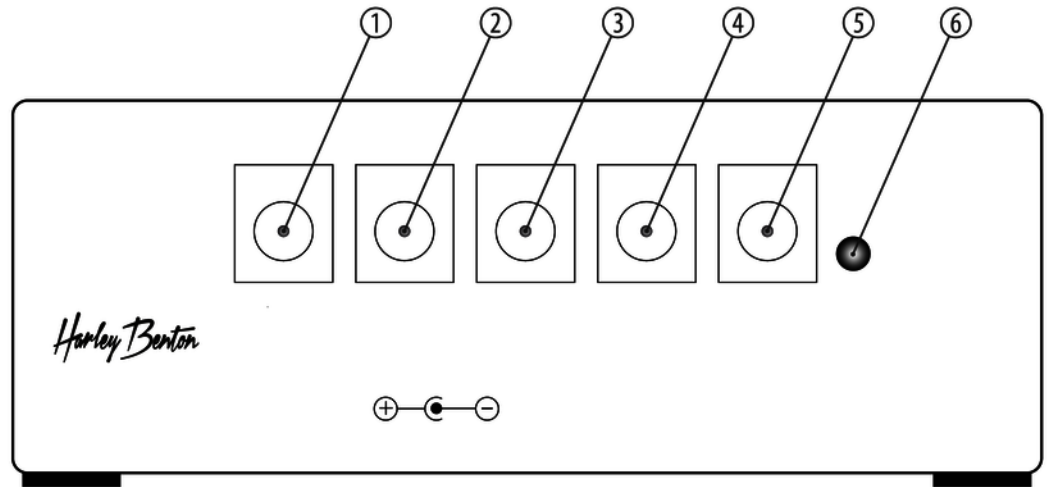


Serial cable

The serial cable is used to power several effects pedals standing next to each other in a clear way. Connect – as shown in the drawing – the five output jacks of the serial cable to the DC inputs of the effects units. Connect the input jack of the cable to one of the 9 V outlets of the power supply. The total current draw of all connected pedals must not exceed 120 mA, thus leaving a maximum of 24 mA to each pedal when using devices of the same kind..



4 Components and functions



Powerplant Junior

1...5	DC 9 V $\overline{\text{---}}$ outlet sockets
6	Red pilot light. Indicates that the device is powered by mains voltage.

5 Technical specifications

Voltage supply	230 V ~ 50 Hz
Current draw	30 mA
Output voltage	5 × DC 9 V $\overline{\text{---}}$
Output current	5 × 120 mA
Dimensions (W × D × H)	116 mm × 77 mm × 38 mm
Weight	920 g

6 Protecting the environment

Disposal of the packaging material



For the transport and protective packaging, environmentally friendly materials have been chosen that can be supplied to normal recycling.

Ensure that plastic bags, packaging, etc. are properly disposed of.

Do not just dispose of these materials with your normal household waste, but make sure that they are collected for recycling. Please follow the notes and markings on the packaging.

Disposal of your old device



This product is subject to the European Waste Electrical and Electronic Equipment Directive (WEEE) in its currently valid version. Do not dispose with your normal household waste.

Dispose of this device through an approved waste disposal firm or through your local waste facility. When discarding the device, comply with the rules and regulations that apply in your country. If in doubt, consult your local waste disposal facility.



Musikhaus Thomann · Hans-Thomann-Straße 1 · 96138 Burgebrach · Germany · www.thomann.de