

Micscreen LE

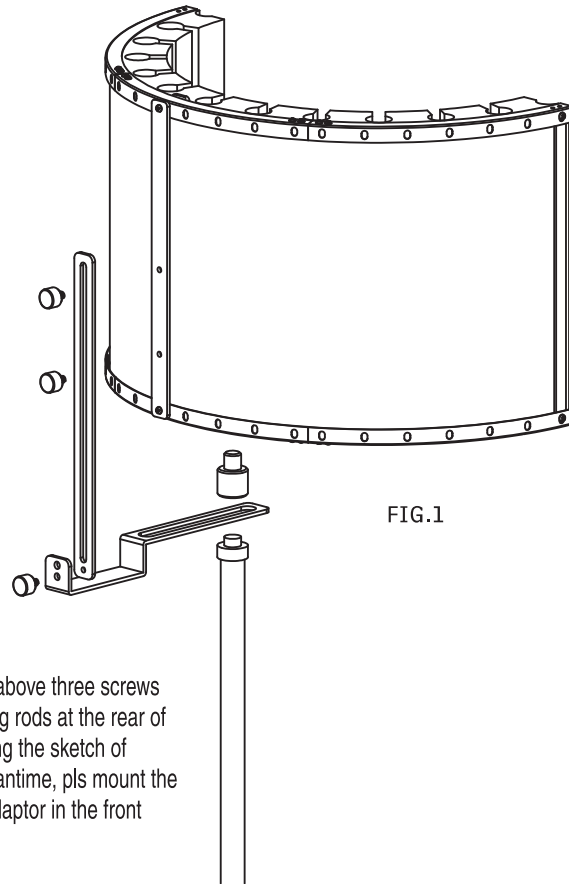


FIG.1

- 1 Please install the above three screws and two connecting rods at the rear of the screen following the sketch of (FIG.1). In the meantime, pls mount the big microphone adaptor in the front of the screen.

the
t.bone

Musikhaus Thomann • Treppendorf 30 • 96138 Burgebrach • Germany
www.thomann.de

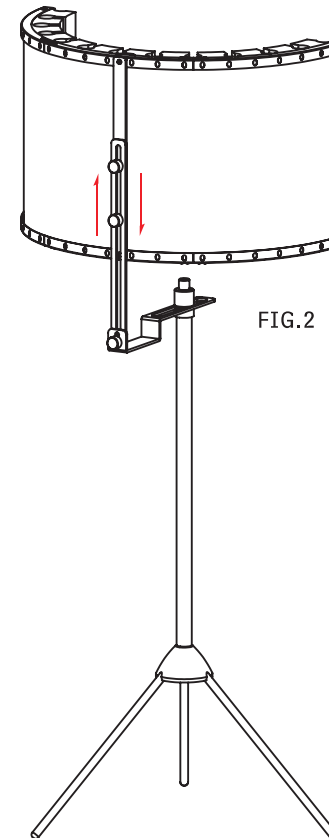


FIG.2

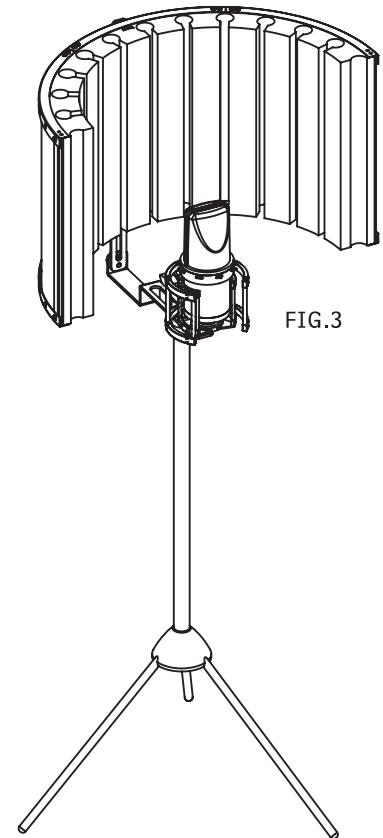


FIG.3

- 2 (FIG.2) is the back view of the finished product, the height of the screen can be adjusted vertically at the back of screen, which can suit different microphones.
- 3 (FIG.3) shows the front view of the screen , the microphones can also be adjusted horizontally to the most suitable positions during your recording.
- 4 Following the above steps, you can now enjoy your recording!

the
t.bone

Musikhaus Thomann • Treppendorf 30 • 96138 Burgebrach • Germany
www.thomann.de