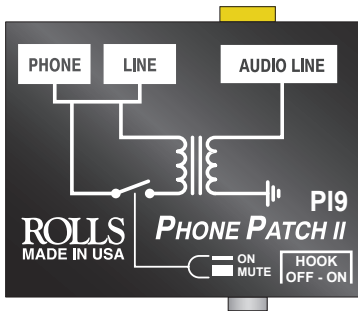


ROLLS

P19 PhonePatch II



SPECIFICATIONS

Input Impedance:	600 Ohms
Output Impedance:	10 K Ohms
Input Level:	+15 dB max
Output Level:	+5 dB max
Ringer Equivalence:	0.0 A, 0.0 B
Connections:	2; RJ11 phone jack, 2; RCA jacks 1: Tip-Ring-Sleeve 3.5mm jack
Size:	2.7" W x 1.45" H x 2.32" D
Weight:	1 lb.

Quick Start Guide

INTRODUCTION

Thank you for your purchase of the P19 PhonePatch II. The P19 takes a signal from a standard telephone jack and, via transformer isolation, connects to a pair of RCA jacks, or a stereo 1/8" (3.5mm) jack. The isolation keeps the output signal separate from the telephone line, and will not keep the line open unless the HOOK switch is in the ON position as described later in the guide.

Applications for the P19 include broadcast, conference rooms, phone training, laptop presentations, or wherever a phone conversation needs to be recorded or heard over a PA system.

The P19 also works for putting audio onto a phone line. However, you must ensure the signal level is no hotter than line level (+4 dB) or you will get distortion on the phone line.

WARRANTY

For information on the Rolls One Year Limited Warranty, and to register this product, visit our website at www.rolls.com

DESCRIPTION

INPUTS: 2 ea: Standard RJ11 phone jacks.
AUDIO LINE: Stereo RCA, 1/8" (3.5mm) jack

ON/MUTE switch: Connects or disconnects the Phone/Line jacks to the transformer and the Audio output. With the switch in (ON) the audio is active. When the switch is out (MUTE) the audio signal is muted.

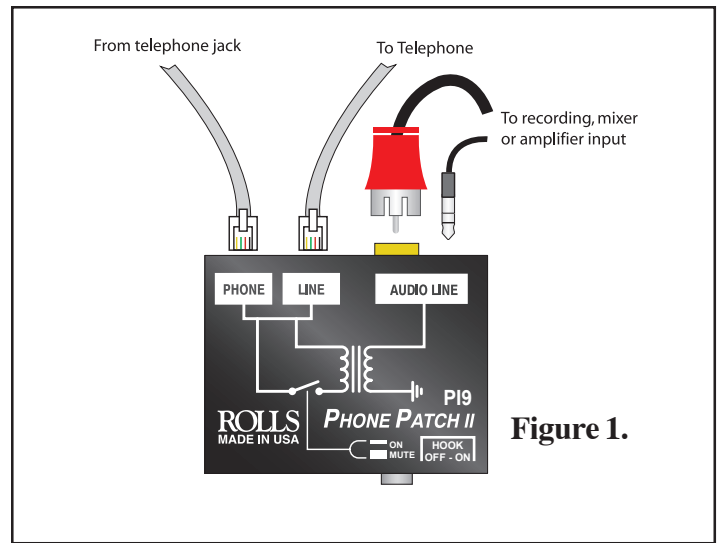


Figure 1.

CONNECTION: Refer to Figure 1.

Connect a standard telephone cable to an active telephone line, and to the P19 Phone Input. To pass the signal on to another telephone, connect another standard telephone cable from the P19 Line jack to a telephone. Connect either a stereo RCA cable, or stereo 1/8" (3.5mm) cable to an AUDIO LINE output jack.

HOOK: OFF - ON

An option on the P19 is the ability to select whether or not the unit will hold a line open. A line being "held open" acts like a telephone is off the hook. ON is for the line to be left open and OFF is when the phone is hung up.



P19 PhonePatch II

The P19 is a passive device for connecting a phone line to an audio system or vice versa. Handy for phone interviews, broadcast, or laptop presentations with a remote phone signal.

- P19 PhonePatch II
- RCA and 1/8" (3.5mm) Inputs and Outputs
- RJ11 Phone and Line jacks