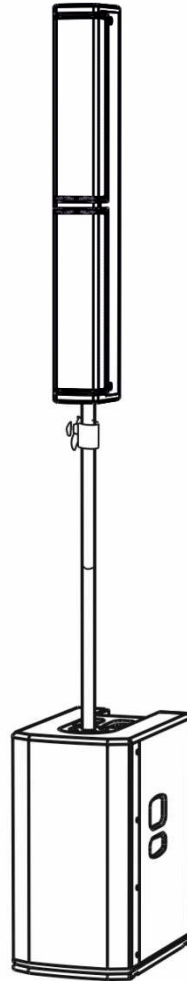


**es**  
1002

**entertainment  
system**



**Quick start user manual**

*Section 1*

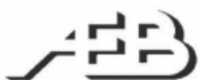
**The warnings in this manual must be observed together with the "USER MANUAL - Section 2".**

Le avvertenze nel presente manuale devono essere osservate congiuntamente al "MANUALE D'USO - Sezione 2".

**Die Warnungen in diesem Handbuch müssen in Verbindung mit der "BEDIENUNGSANLEITUNG - Abschnitt 2" beobachtet werden".**

Les avertissements spécifiés dans ce manuel doivent être respectés ainsi que les "CARACTERISTIQUES TECHNIQUES - Section 2"

**Las advertencias del presente manual se deben tener en cuenta conjuntamente con las del "MANUAL DEL USUARIO" - Sección 2".**



A.E.B. Industriale Srl Via Brodolini, 8 Località Crespellano 40053 VALSAMOGGIA BOLOGNA (ITALIA)  
Tel +39 051 969870 Fax +39 051 969725 [www.dbtechnologies.com](http://www.dbtechnologies.com) info@dbtechnologies-aeb.com



## Thank you for choosing a dBTechnologies Product!

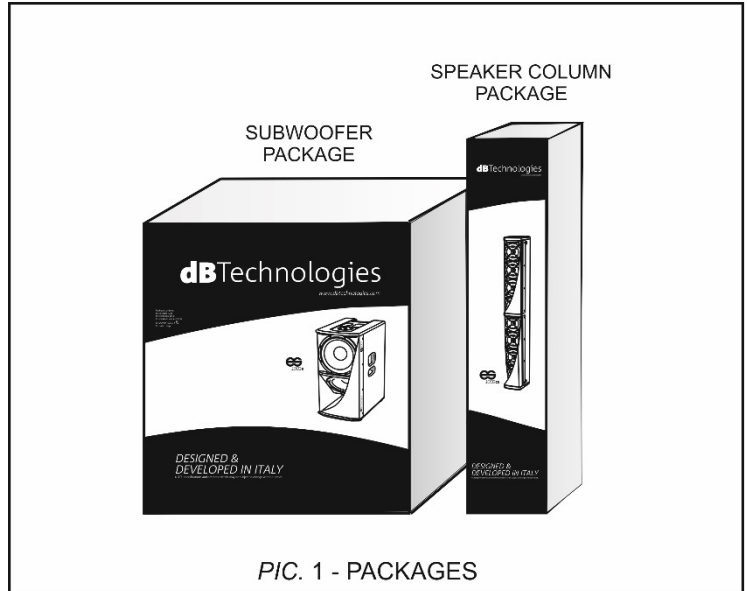
The new ES1002 is a powerful and versatile active audio system. It can be easily set up and it comes with one subwoofer (2 x 12" woofers) and one column top (8 x 4" mid-woofers, with Logarithmic Curved Column Array technology). The powerful class-D DIGIPRO® G3 amplifier can handle up to 900 W RMS and the I/O section allows connecting up to 2 inputs (1 XLR mono and 1 RCA stereo connections with independent volume controls). The user-friendly control interface helps the user to tune precisely the system in different scenarios, thanks to 8 DSP presets. Main cabling accessories are also included.

### 1) Unpacking

The packages in which the system is boxed are two (see picture 1).

The first package contains:

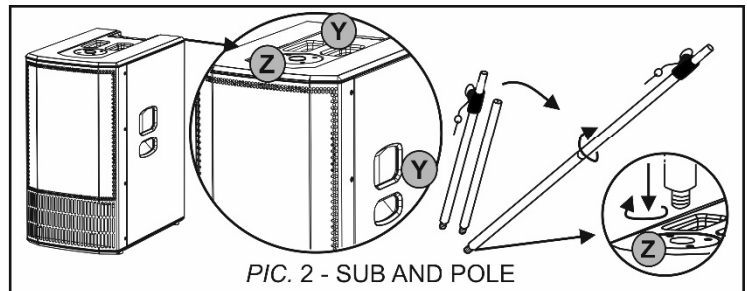
- No. 1 subwoofer ES1002S SUB, with 3 handles [Y] one on the top and two on the sides) and one M20 threaded hole [Z] on the top for pole-mounting (see picture 2).
- No. 1 telescopic pole. It is composed of 2 screw-on pieces, it has to be mounted on the top side of the ES1002S ([Z] threaded hole) (picture 2).
- No. 1 audio cable, with speak-on connectors, which is 2.5 m (8.2 feet) long.
- No. 1 mains cable, with VDE connector.
- No. 2 cable clips
- This quick-start and warranty documentation
- No. 1 100-120V~ 50-60Hz fuse



#### WARNING

The speaker is supplied with a mounted fuse for operation within the 220-240V~ range. If you need to operate in the 110-120V~ voltage range:

1. Disconnect all connections, including the power supply.
2. Wait for 5 minutes.
3. Replace the fuse with the one provided in the package for the 100-120V~ range



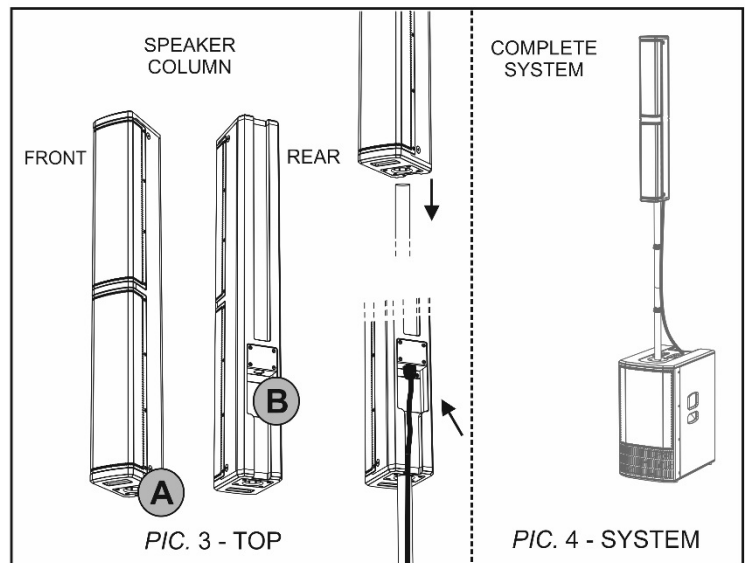
The second package contains:

- No. 1 column speaker.

It has one 36 mm hole for pole-mounting [A] in the bottom side and one [B] rear speak-on connector (picture 3).

### 2) Mount the system

- Assemble the telescopic pole (screwing the two pieces together), and screw it in the [Z] threaded hole of subwoofer with right-handed movement.
- Insert the [A] hole of the speaker column in the telescopic pole and adjust the final height (picture 4).



#### WARNING

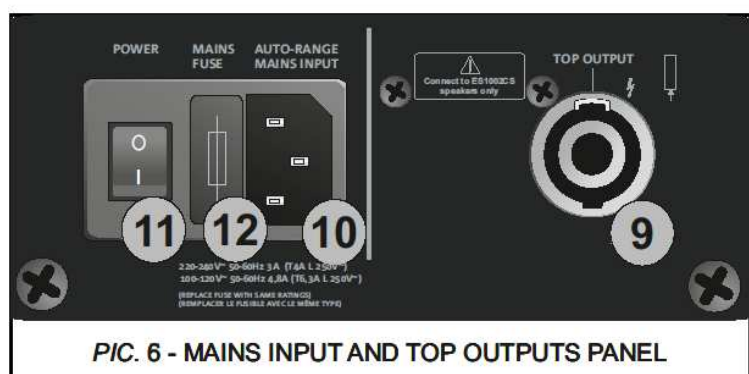
- YOU MUST ANCHOR THE SYSTEM TO THE GROUND WITH STRAPS AND SUITABLE MECHANICAL MEANS (NOT SUPPLIED).
- NEVER USE THE HANDLES TO SUSPEND THE SYSTEM!

### 3) I/O and Control panel

In the rear side of ES1002S SUB the user can find the control panel and the mains section of the system (pictures 5, 6):



PIC. 5 - CONTROL PANEL



PIC. 6 - MAINS INPUT AND TOP OUTPUTS PANEL

- 1 - MIC/LINE INPUT (XLR or TRS connector)
- 2 - VOLUME MASTER CONTROL
- 3 - LINE/MIC SWITCH
- 4 - LINK OUTPUT (XLR connector)
- 5 - RCA STEREO INPUT (L, R)
- 6 - AUX VOLUME
- 7 - STATUS LED (Limiter, ON Signal)
- 8 - DSP PRESET ROTARY CONTROL
- 9 - TOP OUTPUT
- 10 - VDE MAINS INPUT (AUTO-RANGE)
- 11 - ON/OFF POWER SWITCH
- 12 - MAINS FUSE

### 4) ES1002 cabling

- Link the SPEAKER COLUMN connector [B] to the TOP OUTPUT [9] of the ES1002S SUB, using the supplied speak-on cable. Mount the two cable clips to the pole to organize the cabling.

**WARNING**

- USE ONLY ES1002 SUPPLIED CABLE.
- USE THE SUPPLIED SPEAKER COLUMN ONLY WITH ES1002S SUBWOOFER
- MAKE SURE THAT THE SYSTEM IS SECURELY INSTALLED IN A STABLE POSITION TO AVOID ANY INJURIES OR DAMAGES TO PERSONS OR PROPERTIES.

### 5) Setup, turn on and I/O settings

- Connect the desired inputs (with proper cables and connectors), using [1] XLR and [5] RCA inputs.  
 - If needed, link the output [4] to the input of a second system or to a stage monitor (as example), with a proper cable (XLR connectors).

Choose the right DSP PRESET, using the rotary [8]:

**FLAT** - Designed specifically where a flat response is required. In this case the output signal is coherent to the input one.

**BASS BOOST** - Useful to improve the bass presence  
**BASS REDUCTION** - Designed for the use in room with reverberation issues

**PLAYBACK** - Preset suitable to use music from MP3 players, CDs or other sources with emphasis on high frequencies.

**SPEECH** - Designed to enhance speech intelligibility. This preset emphasizes middle and high frequencies.

**LONG THROW** - The medium-high frequencies are enhanced, to get the longest propagation of the sound.

**HPF 80 Hz** - Apply a high pass filter with 80 Hz cutoff frequency (the subwoofer presence is partially limited)

**HPF 120 Hz** - Apply a high pass filter with 120 Hz cutoff frequency (the subwoofer presence is strongly limited)

- Insert the VDE connector of the supplied mains cable in MAINS INPUT [10], connect the plug to the power, and turn on the POWER switch [11].

- The ON Signal LED start blinking, signaling the presence of audio signal (when applied). Adjust the volume controls [2], [6].

Check the complete user manual on [www.dbtechnologies.com](http://www.dbtechnologies.com) for further information about the system and available accessories.

Scarica il manuale completo da [www.dbtechnologies.com](http://www.dbtechnologies.com) per ogni ulteriore informazione sul sistema e sugli accessori disponibili.

Für weitere Informationen und verfügbares Zubehör lesen sie bitte die vollständige Bedienungsanleitung unter [www.dbtechnologies.com](http://www.dbtechnologies.com).

Vérifiez le manuel de l'utilisateur complet sur [www.dbtechnologies.com](http://www.dbtechnologies.com) pour des informations complémentaires du système et des accessoires disponibles.

Compruebe el manual de usuario completo sobre [www.dbtechnologies.com](http://www.dbtechnologies.com) para la información adicional sobre el sistema y accesorios disponibles.

## Technical Data

**Speaker Type:** Bi-amped Mono system  
**Usable Bandwidth [-10 dB]:** 43 - 20000 Hz  
**Frequency Response [-3 dB]:** 56 - 18000 Hz  
**Max SPL (1 m):** 130,7 dB  
**MF-HF mid-woofer:** 8 x 4"  
**MF-HF voice coil:** 25 mm  
**MF-HF type:** Neodymium  
**LF:** 2 x 12" (subwoofer)  
**LF Voice Coil:** 64 mm  
**Crossover frequency:** 160 Hz (24 dB/oct)  
**Horizontal dispersion:** 97°  
**Vertical dispersion:** 40° (asymmetrical: +10°/-30°)

## Amplifier

**Amp Technology:** DIGIPRO® G3  
**Amp Class:** Class-D  
**RMS Power:** 900 W

## Operating voltage:

220-240V~ (50-60 Hz) or 100-120V~ (50-60 Hz)

## Processor and user interface

**Controller:** 24 bit - 48 kHz  
**Limiter:** Peak, Thermal, RMS  
**Controls:** DSP rotary encoder, volume controls, MIC/LINE switch

## Input / Output

**Mains connections:** VDE  
**Signal Input:** (Balanced/Unbalanced) 1 x Combo IN (MIC/LINE) 1 x RCA (stereo)  
**Signal Out:** SPEAKON out to ES1002 TOP, (Balanced) 1x XLR OUT (LINK)

## Mechanics

**Housing:** Wooden boxes  
**Grille:** Full metal grille  
**Pole Mount:** Yes, 36 mm (M20 threaded hole)  
**Handles:** 3 (subwoofer, 2 on sides 1 on top)  
**Width [sub/ top]:** 360 mm (14.17 in) / 110 mm (4.33 in)  
**Height [sub/ top]:** 680 mm (26.77 in) / 905 mm (35.63 in)  
**Depth [sub/ top]:** 545 mm (21.46 in) / 160 mm (6.30 in)  
**Weight [sub/ top]:** 29.3 kg (64.59 lbs) / 5.8 kg (12.79 lbs)



Scan with your QR Reader  
App to download the  
complete User Manual

## POWER SUPPLY SPECIFICATIONS (POWER ABSORPTION)

Draw at 1/8 of full power in average use conditions (\*): 1.4 A (220-240V~) - 2.5 A (100-120V~)  
Draw at 1/3 of full power in maximum use conditions (\*\*): 3 A (220-240V~) - 4.8 A (100-120V~)  
Power absorption with speaker turned on without signal (idle): 19 W

\* INSTALLER NOTES: The values refer to 1/8 of full power, in average operating conditions (music program with infrequent or no clipping). It is recommended to consider them the minimum sizing values for any type of configuration.

\*\* INSTALLER NOTES: The values refer to 1/3 of full power, in heavy operating conditions (music program with frequent clipping or activation of the limiter). We recommend sizing according to these values in case of professional installations and tours.

Download the complete user manual from the site:

[www.dbtechnologies.com/EN/Downloads.aspx](http://www.dbtechnologies.com/EN/Downloads.aspx)

## EMI CLASSIFICATION

According to the standards EN 55103 this equipment is designed and suitable to operate in E3 (or lower E2, E1) Electromagnetic environments.  
**FCC CLASS B STATEMENT ACCORDING TO TITLE 47, PART 15, SUBPART B, §15.105**

This equipment has been tested and found to comply with the limits for a Class B digital device, pursuant to part 15 of the FCC Rules. These limits are designed to provide reasonable protection against harmful interference in a residential installation.

This equipment generates, uses and can radiate radio frequency energy and, if not installed and used in accordance with the instructions, may cause harmful interference to radio communications.

However, there is no guarantee that interference will not occur in a particular installation. If this equipment does cause harmful interference to radio or television reception, which can be determined by turning the equipment off and on, the user is encouraged to try to correct the interference by one or more of the following measures:

1. Reorient or relocate the receiving antenna.
2. Increase the separation between the equipment and receiver.
3. Connect the equipment into an outlet on a circuit different from that to which the receiver is connected.
4. Consult the dealer or an experienced radio/TV technician for help.

Changes or modifications not expressly approved by the party responsible for compliance could void the user's authority to operate the equipment.

**WARNING:** Make sure that the loudspeaker is securely installed in a stable position to avoid any injuries or damages to persons or properties. For safety reasons do not place one loudspeaker on top of another without proper fastening systems. Before using the system check all the components for damages, deformations, missing or damaged parts that may compromise safety during installation. If you use the loudspeakers outdoor avoid spots exposed to bad weather conditions. Contact dB Technologies for accessories to be used with speakers. dBTechnologies will not accept any responsibility for damages caused by inappropriate accessories or additional devices.

Features, specification and appearance of products are subject to change without notice.

dBTechnologies reserves the right to make changes or improvements in design or manufacturing without assuming any obligation to change or improve products previously manufactured.